



# CONICA 5

Product Code: CN05.XX.XXX.XX

## Product description:

Asymmetric downlight with a conical architectural detail in 25W (138mmØ) and 50W (230mmØ) LED versions, finished in White. Colour temperatures from 2700K to 4000K and beam angles from 15° to 60° to provide project specific solutions. Luminous flux ranges are 1794-1928lm for 25W and 4016-4148lm for 50W, with dimmable driver options available and a CRI of 80+. A durable downlight with a lifetime of 50,000 hours under normal conditions. Luminaire Warranty 5 years, Driver 3 Years.

**5 YEAR**  
**GUARANTEE**

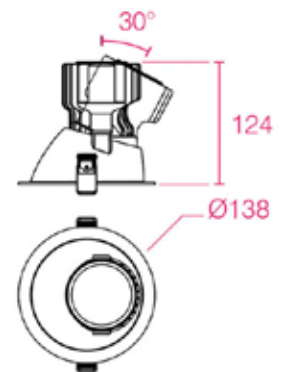
Use the Project Datasheet generator to get a tailored specification. Additional features include emergency options and RAL finishes on request.

Product options	For exact specifications create a Project Datasheet	
Dimensions (mm):	138 Ø x 124 (25W)	230 Ø x 187 (50W)
Cut-out (mm):	125 Ø	210 Ø
Lifetime:	50,000 hrs.	
Mounting type:	Recessed.	
Finish:	White.	
Emergency:	Standard Integrated.	

Lighting options	For exact specifications create a Project Datasheet	
Light source:	25W LED	50W LED
Driver:	Fixed Output, 0-10V, L&TE.	
Colour temperature:	2700K, 3000K, 4000K.	
Beam angle:	15°, 24°, 38°.	15°, 20°, 40°, 60°.
Diffuser:		
Operating voltage:	230V.	
IP Rating:	IP20.	
CRI:	>80.	
Delivered Lumens (lm):	1794-1928	4016-4148
Power consumption (W):	25	50
Efficiency (lm/W):	77	83
Optional Extras:	RAL finishes on request.	

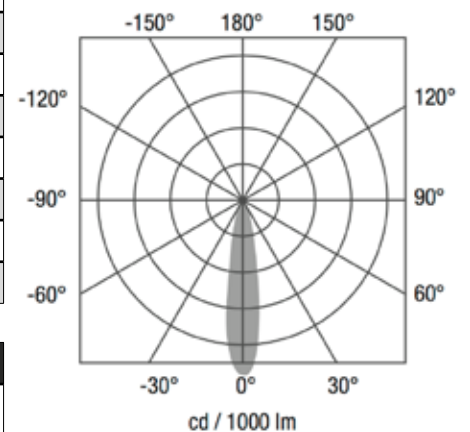
Additional Info
Add notes ...

## Cross-section



Conica 5 (25W) cross-section

## Photometrics



(Curve shown for 3000K with 15° beam angle)

