



# MINI 1

Product Code: MN01.XX.XXX.XX

## Product description:

Fixed miniature downlight with a soft inset trim and 35mmØ, finished in White. Colour temperatures from 3000K to 6000K and beam angles from 15° to 60° to provide project specific solutions. Luminous flux ranges from 115-148lm for 3W, with dimmable driver options available and a CRI of 80+. A durable downlight with a lifetime of 50,000 hours under normal conditions. Luminaire Warranty 5 years, Driver 3 Years.

Use the Project Datasheet generator to get a tailored specification. Additional features include emergency options and RAL finishes on request.

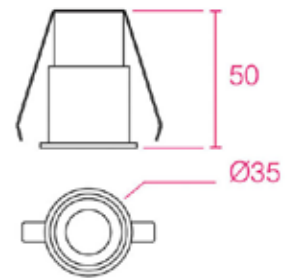
**5 YEAR**  
GUARANTEE

Product options	For exact specifications create a Project Datasheet
Dimensions (mm):	35 Ø x 50 (9W)
Cut-out (mm):	31 Ø
Lifetime:	50,000 hrs.
Mounting type:	Recessed.
Finish:	White.
Emergency:	Standard Integrated.

Lighting options	For exact specifications create a Project Datasheet
Light source:	3W LED
Driver:	Fixed Output.
Colour temperature:	3000K, 4000K, 6000K.
Beam angle:	15°, 30°, 45°, 60°.
Diffuser:	
Operating voltage:	230V.
IP Rating:	IP20.
CRI:	>80.
Delivered Lumens (lm):	115-148.
Power consumption (W):	3
Efficiency (lm/W):	50
Optional Extras:	RAL finishes on request.

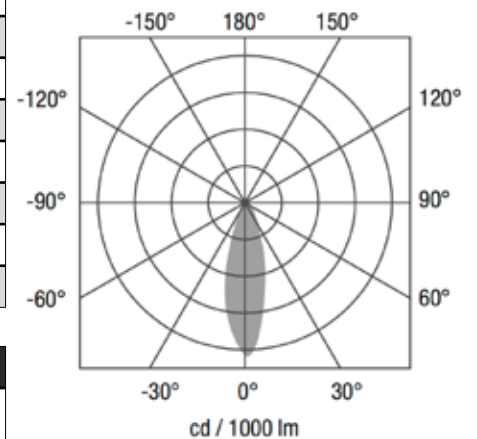
Additional Info
Add notes ...

## Cross-section



Mini (3W) cross-section

## Photometrics



(Curve shown for 3000K with 40° beam angle)

