



## FLAT 6

Product Code: FT06.XX.XXX.XX

### Product description:

Shallow 28mm deep downlight with a 230x230mm square trim, finished in White. With a beam angle of 90° and colour temperatures from 3000K to 4000K, Flat 6 provides project specific solutions. Luminous flux ranges from 1870-2090lm at 23W, with dimmable driver options available and a CRI of 80+. A durable downlight with a lifetime of 50,000 hours under normal conditions. Luminaire Warranty 5 years, Driver 3 Years.

Use the Project Datasheet generator to get a tailored specification. Additional features include emergency options and RAL finishes on request.

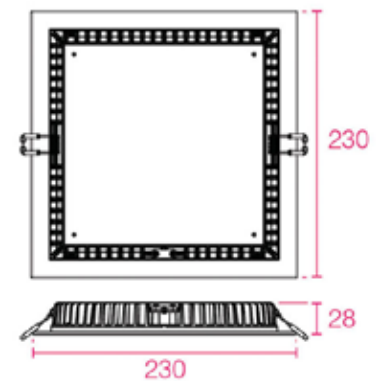
**5 YEAR**  
GUARANTEE

Product options	For exact specifications create a Project Datasheet
Dimensions (mm):	230x230 x 28.
Cut-out (mm):	200x200.
Lifetime:	50,000 hrs.
Mounting type:	Recessed.
Finish:	White.
Emergency:	Standard Integrated, DALI Integrated.

Lighting options	For exact specifications create a Project Datasheet
Light source:	23W LED.
Driver:	Fixed Output, 0-10V, DALI, L&TE.
Colour temperature:	3000K, 4000K.
Beam angle:	90°.
Diffuser:	Opal, MPO.
Operating voltage:	230V.
IP Rating:	IP20.
CRI:	>80.
Delivered Lumens (lm):	1870-2090.
Power consumption (W):	23.
Efficiency (lm/W):	91.
Optional Extras:	RAL finishes on request.

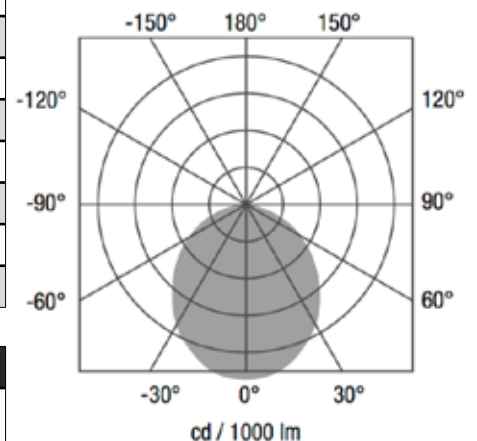
Additional Info
Add notes ...

### Cross-section



Flat 6 (23W) cross-section

### Photometrics



(Curve shown for 3000K with 90° beam angle)

