



# OPTEFLEX CLOSE-PITCH 1

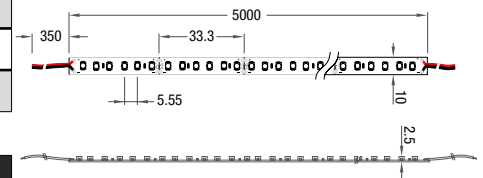
Product Code: OXP1.XX.8XX.XX

## Product description:

Opteflex Close-pitch 1 is a 13.2W per metre linear LED, designed for use in linear aluminium extrusions. It is available in colour temperatures of 2700 - 4000K. No more spotting thanks to 180 '3528' SMD LEDs per metre, with only 5.55mm in-between. Supplied in 5000mm sections with 3M adhesive tape fixing, it has cut-points every 33.3mm to achieve project-specific dimensions. The very latest in LED lighting technology offers 'instant on' and efficient light control.

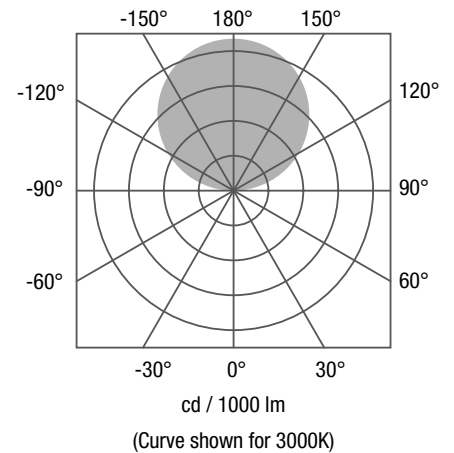
Product options	For exact specifications create a Project Datasheet
Dimensions (mm):	10mm wide, 33.3mm cut-points, 5 metre reels.
Cut-out (mm):	
Lifetime:	50,000 hrs.
Mounting type:	Surface Mounted 3M adhesive tape.
Finish:	
Emergency:	

## Cross-section



Lighting options	For exact specifications create a Project Datasheet
Light source:	Linear SMD LED.
Driver:	Fixed Output, 0-10V, DALI, DMX, Mains.
Colour temperature:	2700K, 3000K, 4000K.
Beam angle:	120°
LEDs per metre:	180
Operating voltage:	24V.
IP Rating:	IP20
CRI:	> 80
Delivered Lumens (lm/M):	900-1040
Power consumption (W/M):	13.2
Efficiency (lm/W):	up to 78.7
Optional Extras:	

## Photometrics



Additional Info
Add notes ...

