

OPTEFLEX RGBW

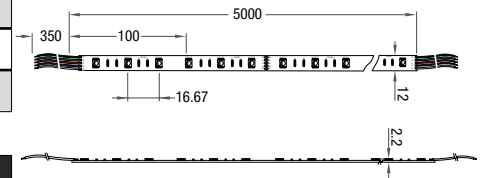
Product Code: OXRW.XX.8XX.XX

Product description:

Opteflex RGBW is a full-spectrum RGBW Linear SMD LED for feature applications. It is only 12mm wide and is perfect for use within linear aluminium extrusions. Its Epistar '5050' SMD LEDs total 60 per metre at 19.2W, supplying up to 362lm. It is also available in IP65 upon request. Supplied in 5000mm lengths with 3M adhesive tape fixing, it has cut-points every 100mm to achieve project-specific dimensions. The very latest in LED lighting technology offers 'instant on' and efficient light control.

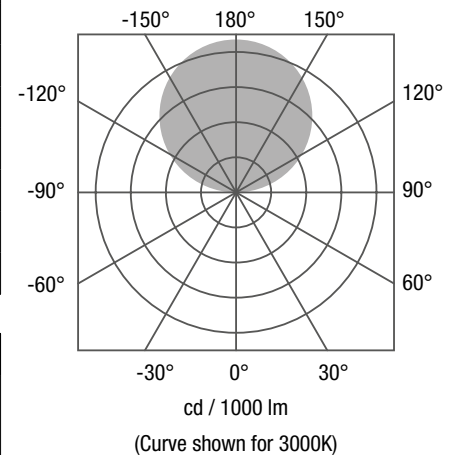
Product options	For exact specifications create a Project Datasheet
Width (mm):	12
Cut-points (mm):	100
Lifetime:	50,000 hrs.
Mounting type:	Surface Mounted 3M adhesive tape.
Finish:	
Emergency:	

Cross-section



Lighting options	For exact specifications create a Project Datasheet			
Light source:	Linear SMD LED.			
Driver:	DMX.			
Colour temperature:	(RGBW)			
Beam angle:	120°			
LEDs per metre:	60			
Operating voltage:	24V.			
IP Rating:	IP20			
CRI:	> 80			
Delivered Lumens (lm/M):	98 (RED)	362 (GREEN)	90 (BLUE)	356 (WHITE)
Power consumption (W/M):	19.2			
Efficiency (lm/W):	up to 18.9			
Optional Extras:				

Photometrics



Additional Info
Add notes ...

