

TIQAL ASYMMETRIC

Product Code: TQAS.XX.XXX.XX

Product description:

Plaster-in recessed 30° asymmetric downlight with a deep recess and round architectural form. Created in natural chalk-white plaster for finishing on site as required. Available in 9W and 15W LED versions with various colour temperature options and beam angles. Luminous flux ranges are 640-715lm for 9W and 960-1160lm for 15W, with dimmable driver options available and a CRI of 80+. A durable downlight with a lifetime of 50,000 hours under normal conditions. Luminaire Warranty 5 years, Driver 3 Years. Additional features include emergency options.

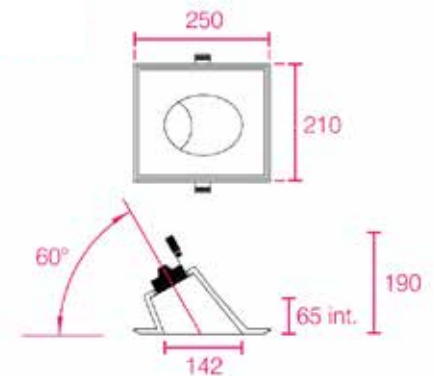
5 YEAR
GUARANTEE

Product options	For exact specifications create a Project Datasheet	
Dimensions (mm):	210 x 250 (W) x 190 (H)	
Cut-out (mm):	210 x 250 (W) x 190 (H)	
Lifetime:	50,000 hrs.	
Mounting type:	Plaster-in Trimless	
Finish:	Natural Plaster	
Emergency:		

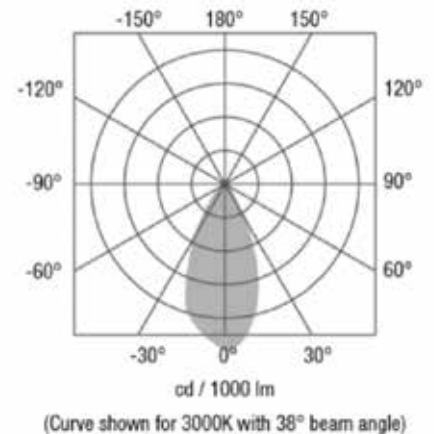
Lighting options	For exact specifications create a Project Datasheet	
Light source:	9W KATA LED	15W KATA LED
Driver:	Fixed Output, 0-10V, DALI, L&TE	
Colour temperature:	2700K, 3000K, 4000K	
Beam angle:	20°, 40°, 55°	
Diffuser:		
Operating voltage:	230V	
IP Rating:	IP20	
CRI:	> 80	
Delivered Lumens (lm):	640 - 715	960 - 1160
Power consumption (W):	9	15
Efficiency (lm/W):	80	77
Optional Extras:		

Additional Info
Add notes ...

Cross-section



Photometrics



9W KATA Polar Curve

