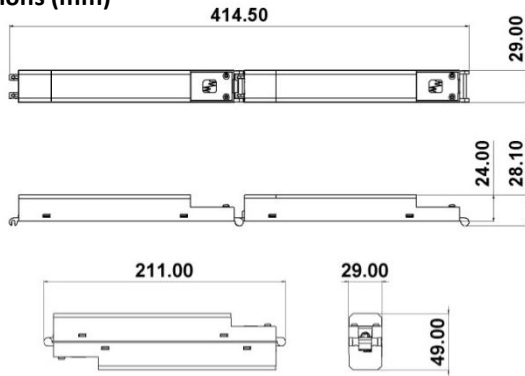


# INSTALLATION INSTRUCTIONS

**XYLUX® LR**

**OPTELMA**  
ARCHITECTURAL LIGHTING

## Dimensions (mm)

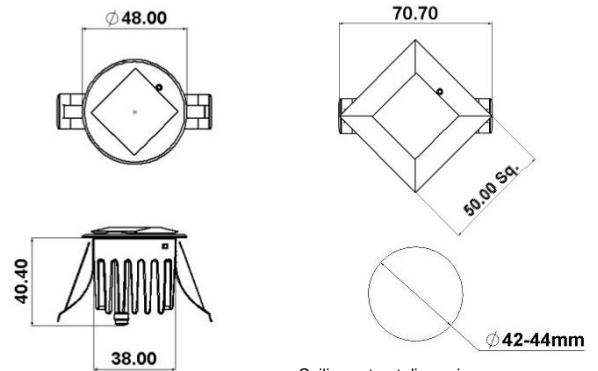


230V ac 50/60Hz

IP30

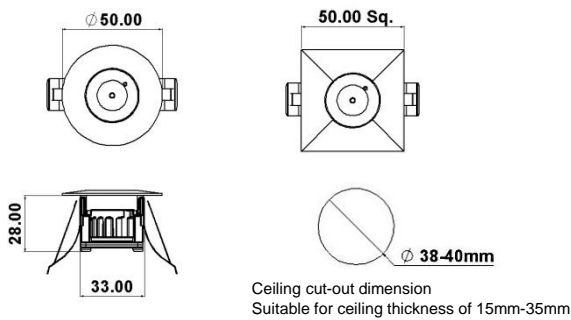
ta: 0°C...+35°C

## Lamphead (mm)

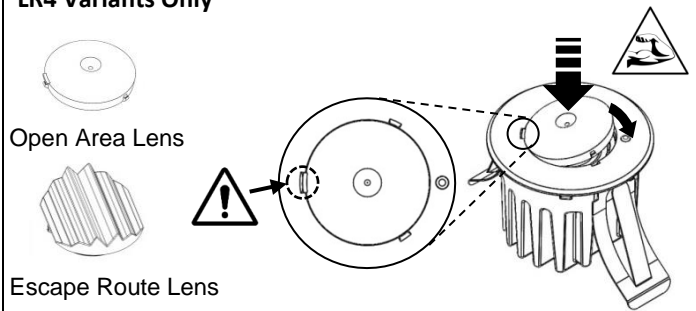


Ceiling cut-out dimension  
Suitable for ceiling thickness of 15mm-35mm

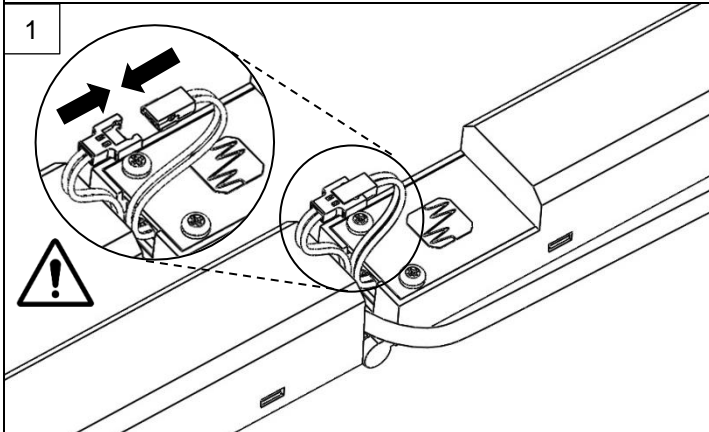
## LR1 & LR7 Variants Only



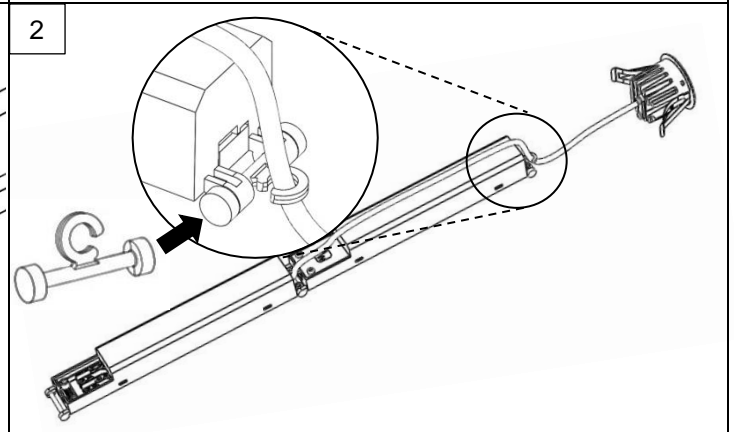
## LR4 Variants Only



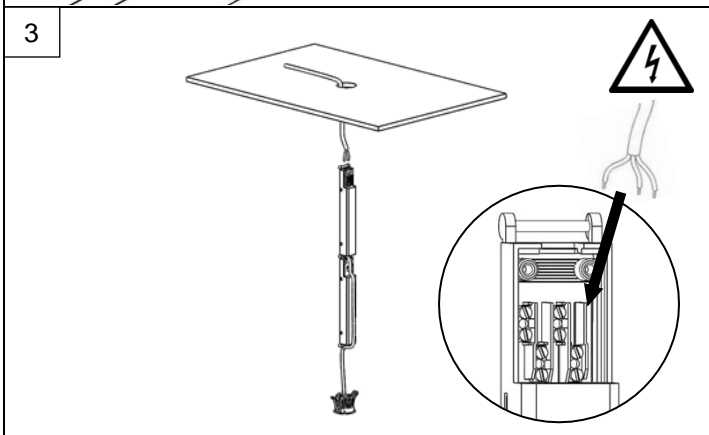
1



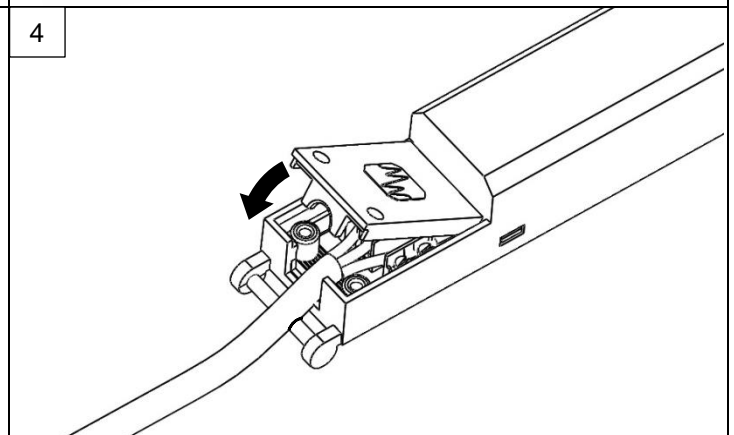
2



3



4



<p>5</p> <p>0.8 Nm</p>	<p>EC Variants Only</p>
<p>6</p>	<p>7</p> <p>100mm</p>
<p>8</p>	<p>Escape Route Variants (LR4 Only)</p> <p>Ensure lens choice and orientation matches approved lighting design</p>
<p><b>Cable Size &amp; Strip Length</b></p> <p>C.S.A: <math>\leq 1.5\text{mm}^2</math> Solid conductor or 7 stranded wire ends</p> <p>EC Version Only: Standard CAT 5e cable or above with RJ45 connector</p> <p>7mm</p>	<p><b>Additional Information</b></p> <ul style="list-style-type: none"> <li>LED Lamphed is non-replaceable, once lamphed reaches its end-of-life the whole Luminaire will need to be replaced</li> <li>Luminaire is suitable for indoor use ONLY</li> <li>Refer to the user guide on mackwell website for further commissioning and functionality information.</li> <li>For Battery replacement order codes please refer to datasheet</li> </ul>