

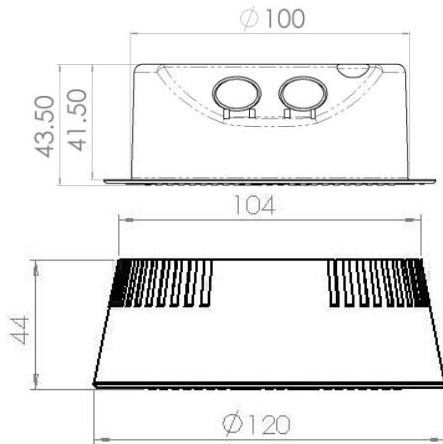
INSTALLATION INSTRUCTIONS EMERGENCY 2

Refer to website www.optelma.co.uk for specific data

DESCRIPTION

A self contained LED luminaire incorporating an LED module and battery pack. Built into the system is a deep discharge protection circuit for use with 3.6V 1.7Ah NiMH battery pack.

LUMINAIRE DIMENSIONS (mm)



SPECIFICATION

Supply Voltage	230Vac \pm 10% 50/60 Hz
Supply Current	30mA max
Ambient Temperature	0°C to +35°C
Conductor size	2.5mm ² max
Weight of Control Gear	246g (incl. battery)
Average Lumen Output	56lm
IP Rating of Luminaire	IP30

BATTERIES

The luminaire includes a 1.7Ah rechargeable NiMH battery pack for 3 hour operation. Batteries must be replaced when the luminaire no longer meets 3 hours duration.

RELEVANT STANDARDS

EN 61347-2-7	Lamp control gear
EN 60598-2-22	Luminaire
BS5266-1:2005/IEC62034	Automatic Testing

WARRANTY

This product is guaranteed for three years and covers faulty workmanship and materials. The guarantee on the NiMH batteries is one year. This "Return to Base" warranty requires that the product is used within the terms and conditions stated above, in our literature and on our website. Products returned to us under warranty must be carriage paid. Mackwell Electronics Ltd accepts no liability for costs incurred.

IMPORTANT

Please ensure that the information contained in this leaflet is passed on to the user/maintenance engineer.

ELECTRICAL INSTALLATION

The luminaire should be installed by a qualified person in accordance with the current wiring and building regulations.

Luminaires comply with the EMC directive in both modes of operation, mains and emergency. The battery lead should be connected only at the time of commissioning. Remove transparent plastic cover to attach L & N.

Replace transparent plastic cover to avoid electric shock.

The LED is non-replaceable and the supplier should be contacted in the unlikely event of a failure.

IMPORTANT

Mark the luminaire with the date of commissioning in the space provided on the label

OPERATION

Upon connection of a permanent mains supply the indicator LED lights to show the battery is receiving charge. Following an initial charging period of 16 hours the unit will be capable of providing 3 hours emergency duration.

INSTALLATION

When recessed: minimum hole size 105 mm, maximum hole size 110 mm.

