

## EMERGENCY 3

Product Code: EM03.XX.XXX.XX

### Product description:

The Emergency 3 enables unobtrusive, seamless integration into a wide range of luminaires and despite only being Ø12mm, it still delivers a powerful light output during an emergency of greater than 6m spacings. It has been hailed a leading innovation for OEMs and has been recognised at the DALI Product Awards and Lighting Design Awards. It incorporates an ultra-compact emergency LED source and a 3.6V 2.2Ah NiMH rechargeable battery pack for 3 hours operation, available as an integral or remote emergency solution. Despite it's minute size, it also includes an integral status indicator LED.

**5 YEAR**  
GUARANTEE

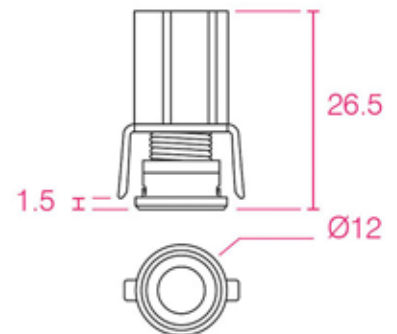
Product options	For exact specifications create a Project Datasheet
Dimensions (mm):	12 (D) x 26.5 (H)
Cut-out (mm):	10 (D)
Lifetime:	50,000 hrs
Mounting type:	Recessed
Finish:	Matt White
Emergency:	3-hour integrated or remote battery kit

Lighting options	For exact specifications create a Project Datasheet
Light source:	High performance 1W LED
Driver:	Fixed Output, DALI
Colour temperature:	5700K
Beam angle:	120°
Diffuser:	-
Operating voltage:	230V
IP Rating:	IP20
CRI:	75
Delivered Lumens (lm):	80
Power consumption (W):	0.9
Efficiency (lm/W):	88
Optional Extras:	Auto-test, DALI or Central Battery technology compatibility

#### Additional Info

Also available as a recessed solution

#### Cross-section



#### Photometrics

