



IPL 1

Product Code: IP01.XX.XXX.XX

Product description:

A single high-strength plaster downlight in a square architectural recess. Designed for a seamless plastered-in recessed installation. Created in natural chalk-white plaster for finishing on site as required. Available in 9W and 15W LED versions with various colour temperature options and beam angles. Luminous flux ranges are 640-715lm for 9W and 960-1160lm for 15W, with dimmable driver options available and a CRI of 80+. A durable downlight with a lifetime of 50,000 hours under normal conditions. Luminaire Warranty 5 years. Additional features include emergency options.

5 YEAR
GUARANTEE

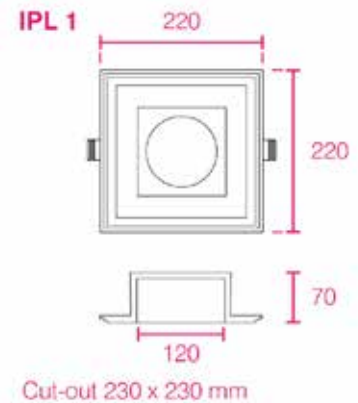
Product options	For exact specifications create a Project Datasheet	
Dimensions (mm):	220 x 220 (W) x 70 (H)	
Cut-out (mm):	230 x 230 (W)	
Lifetime:	50,000 hrs.	
Mounting type:	Plaster-in Trimless	
Finish:	Natural Plaster	
Emergency:		

Lighting options	For exact specifications create a Project Datasheet	
Light source:	9W KATA LED	15W KATA LED
Driver:	Fixed Output, 0-10V, DALI, L&TE	
Colour temperature:	2700K, 3000K, 4000K	
Beam angle:	20°, 40°, 55°	
Diffuser:		
Operating voltage:	230V	
IP Rating:	IP20	
CRI:	> 80	
Delivered Lumens (lm):	640 - 715	960 - 1160
Power consumption (W):	9	15
Efficiency (lm/W):	80	77
Optional Extras:		

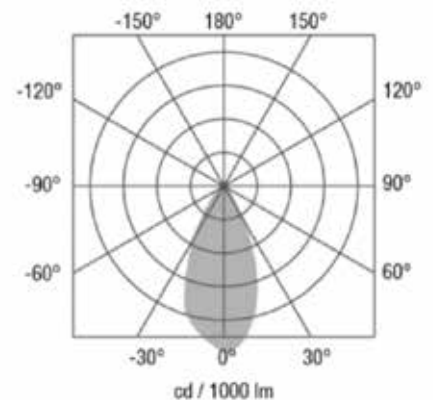
Additional Info

Also available as a GU10 or MR16 retrofit solution

Cross-section



Photometrics



9W KATA 4000K Polar Curve

