



## BLAZE 6

Product Code: BZ06.XX.XXX.XX

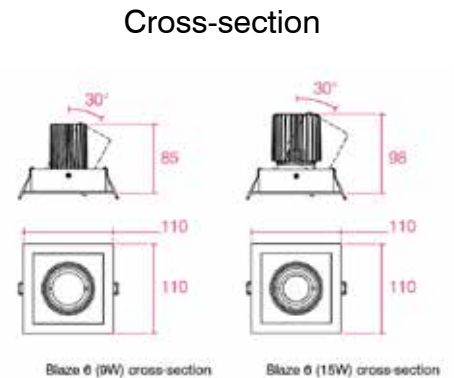
### Product description:

Adjustable single bevelled downlight with 9W and 15W LED versions, finished in White with a 110mm square trim. Colour temperatures from 2700K to 4000K and beam angles from 20° to 55° to provide project specific solutions. Luminous flux ranges are 640-715lm for 9W and 960-1160lm for 15W, with dimmable driver options available and a CRI of 80+. A durable downlight with a lifetime of 50,000 hours under normal conditions. Luminaire Warranty 5 years, Driver 3 Years.

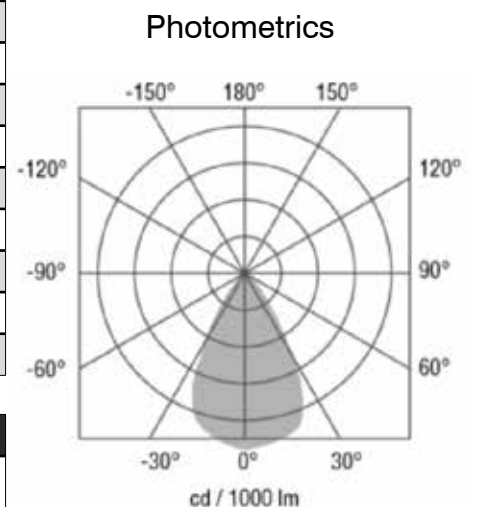
Use the Project Datasheet generator to get a tailored specification. Additional features include emergency options and RAL finishes on request.

**5 YEAR**  
GUARANTEE

Product options	For exact specifications create a Project Datasheet	
Dimensions (mm):	110x110 x 85 (9W)	110x110 x 98 (15W)
Cut-out (mm):	95 x 95.	
Lifetime:	50,000 hrs.	
Mounting type:	Recessed.	
Finish:	White.	
Emergency:	Standard Integrated.	



Lighting options	For exact specifications create a Project Datasheet	
Light source:	9W LED	15W LED
Driver:	Fixed Output, 0-10V, DALI, L&TE.	
Colour temperature:	2700K, 3000K, 4000K.	
Beam angle:	20°, 40°, 55°.	
Diffuser:		
Operating voltage:	230V.	
IP Rating:	IP20.	
CRI:	>80.	
Delivered Lumens (lm/M):	640-715	960-1160
Power consumption (W/M):	9	15
Efficiency (lm/W):	80	77
Optional Extras:	RAL finishes on request.	



(Curve shown for 3000K with 55° beam angle)  
Blaze 9W polar curve.

Additional Info
Add notes ...

