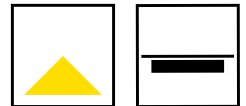


ANGLE

MINI PROFILE



KEY FEATURES

- Site-specific lengths to the nearest millimetre, lit continuously
- Surface Mounted directly into corners, pelmets or plinths
- Direct lighting at 45° with an Opal Polycarbonate diffuser
- A wide range of available LED sources from 3.6W to 28.8W, including RGB, RGBW and Tunable White
- Control options include Fixed Output, DALI, 1-10V or DMX
- Anodised Aluminium finish as standard, with many more available on request



60 YEARS
IN LIGHT

CALL: +44 (0) 1235 55 37 69
EMAIL: sales@optelma.co.uk
ISSUE DATE: 21/01/20

HEAD OFFICE
The Science Park
Abingdon
Oxfordshire OX14 3YT
United Kingdom

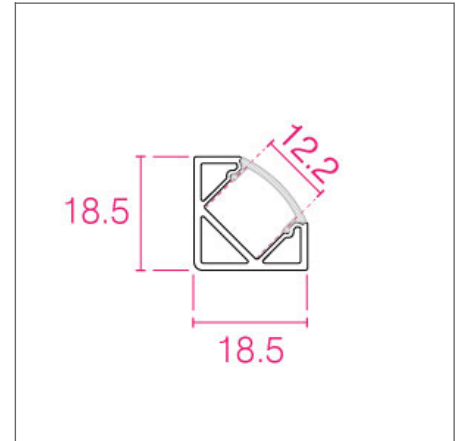
SHOWROOM
23 Bowling Green Lane
Clerkenwell
London EC1R 0BD
United Kingdom

FRANCE
28 Rue Charles
Baudelaire
75012 Paris
France

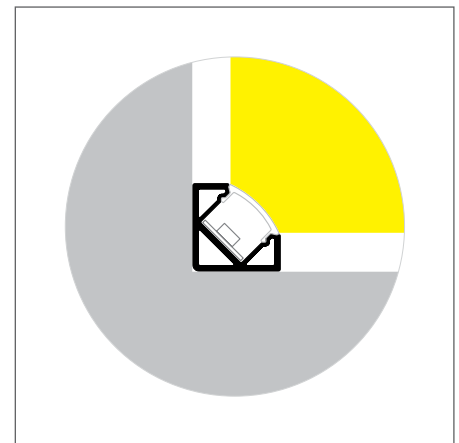
SWITZERLAND
St. Urbangasse 53
Postfach 1738
CH-4502 Solothurn
Switzerland

ANGLE SPECIFICATIONS

PRODUCT OPTIONS	
Dimensions (mm):	18.5 (W) x 18.5 (H) x 2000mm or <i>Made-to-Measure Lengths</i>
Cut-out (mm):	N/A
Weight (kg):	<1.0 kg per Metre
Lifetime:	50,000 hrs
Mounting type:	Surface Mounted
Finish:	Anodised Aluminium
Emergency:	Remote 3-hour emergency conversion on request (not full length)
Operating voltage:	24V
IP Rating:	IP20 (IP Rated on request)
Light source:	Selected linear LED options listed below (double-run on request)
Driver:	Fixed Output, 1-10V, DALI, DMX
Colour temperature:	2700K, 3000K, 4000K, 6500K, Tuneable 2700K-6500K, RGB, RGBW
Beam Angle:	120°
Diffuser:	Opal Clip-In, Clear Clip-in
CRI:	90+
Optional Extras:	Additional finishes & LED sources on request



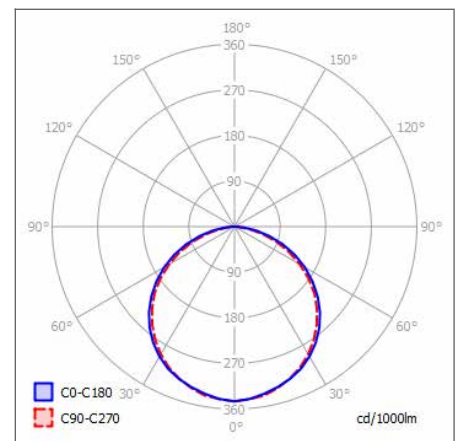
CROSS-SECTION DIMENSIONS (MM)



DISTRIBUTION

CUSTOMISE YOUR LIGHTING SPECIFICATIONS WITH OUR RANGE OF LED TAPES & BOARDS

Light Source*	Lumen Output	Power	LED / Metre	Cut-points
Opteflex Premium 3.6w	575-636 lm/M	6.6 W/M	160	50 mm
Opteflex Premium 7.2w	1138-1257 lm/M	7.2 W/M	160	50 mm
Opteflex Premium 10.8w	1782-1969 lm/M	10.8W/M	160	50 mm
Opteflex Premium 14.4w	2226-2461 lm/M	14.4 W/M	160	50 mm
Opteflex Premium 19.2w	3072-3395 lm/M	19.2 W/M	160	50 mm
Opteflex Premium 28w	4548-5027 lm/M	28.0 W/M	160	50 mm
Opteflex RGB Colour LED	436 lm/M (MAX)	15 W/M	96	62.5 mm
Opteflex RGBW Colour LED	488 lm/M (MAX)	30.8 W/M	96	62.5 mm
Opteflex Tuneable White LED	897-1853 lm/M	19.2 W/M	140	50 mm



POLAR CURVE 4000K OPAL

Opal Diffuser LOR 78%, Clear Diffuser LOR 92%

* Choose from our full range of LED Tapes & Boards online.



60 YEARS
IN LIGHT

CALL: +44 (0) 1235 55 37 69
EMAIL: sales@optelma.co.uk
ISSUE DATE: 21/01/20

HEAD OFFICE
The Science Park
Abingdon
Oxfordshire OX14 3YT
United Kingdom

SHOWROOM
23 Bowling Green Lane
Clerkenwell
London EC1R 0BD
United Kingdom

FRANCE
28 Rue Charles
Baudelaire
75012 Paris
France

SWITZERLAND
St. Urbangasse 53
Postfach 1738
CH-4502 Solothurn
Switzerland

ANGLE COMPONENTS



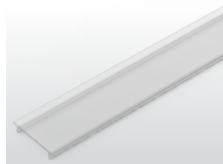
ANODISED ALUMINIUM
Satin anodised finish (10 microns).



OPAL DIFFUSER
Clip-in opal polycarbonate diffuser.



MATT WHITE
Matt White RAL 9016 painted finish on request.



CLEAR DIFFUSER
Clip-in clear polycarbonate diffuser.



MATT BLACK
Matt Black RAL 9005 painted finish on request.



END CAPS
Durable push-fit end caps, supplied as standard.



40W-60W DRIVER
Fixed Output 24V driver. Size: 162.5 x 42.5 x 32mm



60W-100W DRIVER
Fixed Output 24V driver. Size: 190 x 52 x 37mm



DMX512 DECODER
4-channel decoder for RGBW. Size: 167 x 52 x 23mm



**60 YEARS
IN LIGHT**

CALL: +44 (0) 1235 55 37 69
EMAIL: sales@optelma.co.uk
ISSUE DATE: 21/01/20

HEAD OFFICE
The Science Park
Abingdon
Oxfordshire OX14 3YT
United Kingdom

SHOWROOM
23 Bowling Green Lane
Clerkenwell
London EC1R 0BD
United Kingdom

FRANCE
28 Rue Charles
Baudelaire
75012 Paris
France

SWITZERLAND
St. Urbangasse 53
Postfach 1738
CH-4502 Solothurn
Switzerland

ANGLE SPECIFICATION CODE

AAAA - BB/C/D/E - F/GGG - HHHH/I								
AAAA PRODUCT ID	BB MOUNTING	C FINISH	D DRIVER	E DIFFUSER	F DIRECT LED	GGG CRI/ COLOUR	HHH LENGTH (mm)	I EMERGENCY
ANG1	SM	A X*	F D 1 M X*	O X*	XXXX* ENTER PRODUCT CODE	8TW 927 930 940 965	XXXX* ENTER CUSTOM LENGTH	N/A

- * **X** Custom Options - specify details alongside code
- MOUNTING **SM** Surface Mounted
- FINISH **A** Anodised Aluminium, **X** Other - specify details alongside code
- DRIVER **F** Fixed Output, **D** DALI, **1** 1-10V, **L** Leading & Trailing Edge, **M** Mains Dim
- DIFFUSER **O** Opal
- DIRECT LED **OB01** Opteline LED Board, **OXUL** Opteflex Ultra Low Power LED Tape, **OXLO** Opteflex Low Power LED Tape, **OXME** Opteflex Medium Power LED Tape, **OXHI** Opteflex High Power LED Tape, **OXUH** Opteflex Ultra High Power LED Tape
- CRI / COLOUR **8TW** Tuneable White 2700-5700K, **927** CRI 90+ Colour 2700K, **930** CRI 90+ Colour 3000K, **940** CRI 90+ Colour 4000K, **965** CRI 90+ Colour 6500K
- LENGTH Made-to-Measure length in millimetres
- EMERGENCY Options available on request - specify details alongside code

STANDARD

Standard fixed option products for quick and easy specification. Point source LED and Linear LED solutions, organised into Track & Spots, Downlights, Recessed, Surface, Suspended and Wall mounted solutions.

MADE-TO-MEASURE

Versatile systems and luminaires with custom specifications for project-specific lighting. Available in custom sizes and lengths, with many options including curves, corners, finishes, integrated accessories and more.

BESPOKE

Bespoke luminaires demonstrating completely custom project solutions, designed with the clients from concept to delivery. Learn about the design process and inspire your next bespoke lighting project.



60 YEARS IN LIGHT

CALL: +44 (0) 1235 55 37 69
EMAIL: sales@optelma.co.uk
ISSUE DATE: 21/01/20

HEAD OFFICE

The Science Park
Abingdon
Oxfordshire OX14 3YT
United Kingdom

SHOWROOM

23 Bowling Green Lane
Clerkenwell
London EC1R 0BD
United Kingdom

FRANCE

28 Rue Charles
Baudelaire
75012 Paris
France

SWITZERLAND

St. Urbangasse 53
Postfach 1738
CH-4502 Solothurn
Switzerland