



FLUTE 2

Product Code: FD02.XX.XXX.XX

Product description:

Adjustable downlight in 9W and 15W LED versions, with an 88mmØ fluted trim and anti-glare cowl for a softer appearance. Finished in White with colour temperatures from 2700K to 4000K, offering beam angles from 15° to 60° to provide project specific solutions. Luminous flux ranges are 482-535lm for 9W and 960-1120lm for 15W, with dimmable driver options available and a CRI of 80+. A durable downlight with a lifetime of 50,000 hours under normal conditions. Luminaire Warranty 5 years, Driver 3 Years.

5 YEAR
GUARANTEE

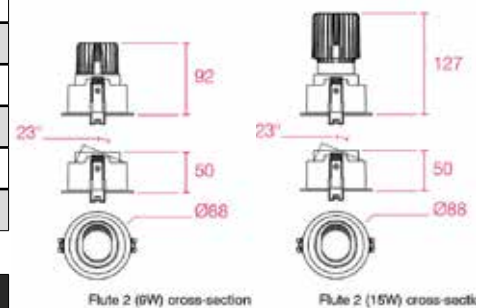
Use the Project Datasheet generator to get a tailored specification. Additional features include emergency options and RAL finishes on request.

| Product options | For exact specifications create a Project Datasheet | |
|------------------|---|------------------|
| Dimensions (mm): | 88 Ø x 92 (9W) | 88 Ø x 127 (15W) |
| Cut-out (mm): | 75 Ø | |
| Lifetime: | 50,000 hrs. | |
| Mounting type: | Recessed. | |
| Finish: | White. | |
| Emergency: | Standard Integrated. | |

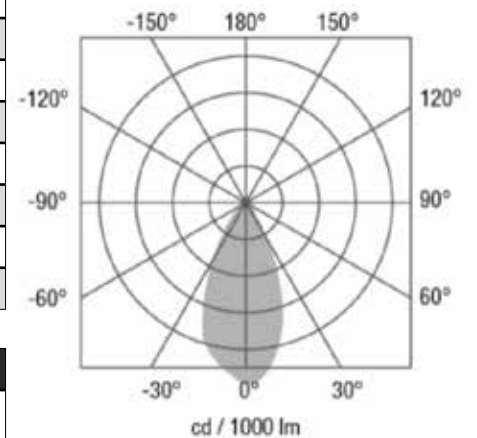
| Lighting options | For exact specifications create a Project Datasheet | |
|--------------------------|---|----------------|
| Light source: | 9W LED | 15W LED |
| Driver: | Fixed Output, 0-10V, L&TE. | |
| Colour temperature: | 2700K, 3000K, 4000K. | |
| Beam angle: | 15°, 24°, 38°, 60°. | 20°, 40°, 55°. |
| Diffuser: | | |
| Operating voltage: | 230V. | |
| IP Rating: | IP20. | |
| CRI: | >80. | |
| Delivered Lumens (lm/M): | 482-535 | 960-1120 |
| Power consumption (W/M): | 9 | 15 |
| Efficiency (lm/W): | 80 | 77 |
| Optional Extras: | RAL finishes on request. | |

| Additional Info |
|-----------------|
| Add notes ... |

Cross-section



Photometrics



(Curve shown for 3000K with 38° beam angle)

Flute 9W polar curve.

