



## FLUTE 3

Product Code: FD03.XX.XXX.XX

### Product description:

Asymmetric downlight in 9W and 15W LED versions, with an 88mmØ fluted trim for a softer appearance. Finished in White with colour temperatures from 2700K to 4000K, offering beam angles from 15° to 60° to provide project specific solutions. Luminous flux ranges are 577-636lm for 9W and 960-1120lm for 15W, with dimmable driver options available and a CRI of 80+. A durable downlight with a lifetime of 50,000 hours under normal conditions. Luminaire Warranty 5 years, Driver 3 Years.

Use the Project Datasheet generator to get a tailored specification. Additional features include emergency options and RAL finishes on request.

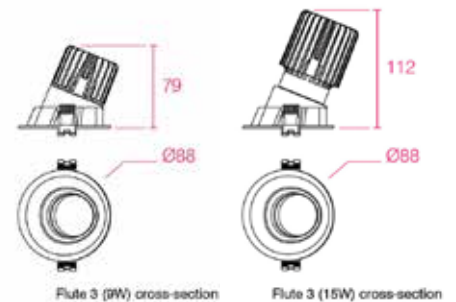
**5 YEAR**  
GUARANTEE

Product options	For exact specifications create a Project Datasheet	
Dimensions (mm):	88 Ø x 79 (9W)	88 Ø x 112 (15W)
Cut-out (mm):	75 Ø	
Lifetime:	50,000 hrs.	
Mounting type:	Recessed.	
Finish:	White.	
Emergency:	Standard Integrated.	

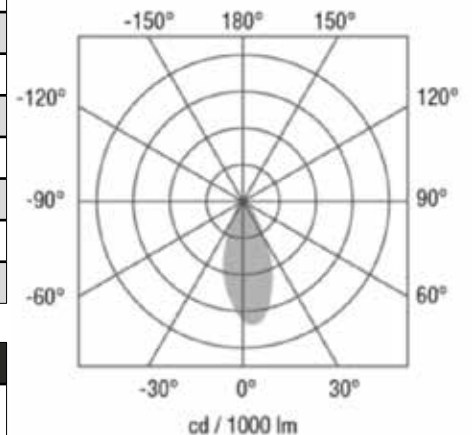
Lighting options	For exact specifications create a Project Datasheet	
Light source:	9W LED	15W LED
Driver:	Fixed Output, 0-10V, L&TE.	
Colour temperature:	2700K, 3000K, 4000K.	
Beam angle:	15°, 24°, 38°, 60°.	20°, 40°, 55°.
Diffuser:		
Operating voltage:	230V.	
IP Rating:	IP20.	
CRI:	>80.	
Delivered Lumens (lm/M):	577-636	960-1120
Power consumption (W/M):	9	15
Efficiency (lm/W):	80	77
Optional Extras:	RAL finishes on request.	

Additional Info
Add notes ...

### Cross-section



### Photometrics



(Curve shown for 3000K with 38° beam angle)  
Flute 9W polar curve.

