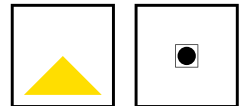




TIQAL ROUND

PLASTER DOWNLIGHT



KEY FEATURES

- High strength plaster downlight
- Seamless integrated plaster-in recessed lighting
- Deep set-back source for reduced glare
- Direct lighting with MR16, GU10 or COB LED engines
- Lamp and control gear not included
- Fixed Output, 1-10V, DALI and Casambi control
- A natural plaster finish, ready to paint on-site



atelier sedap **CASAMBI**

**60 YEARS
IN LIGHT**

CALL: +44 (0) 1235 55 37 69
EMAIL: sales@optelma.co.uk
ISSUE DATE: 03/12/20

HEAD OFFICE
The Science Park
Abingdon
Oxfordshire OX14 3YT
United Kingdom

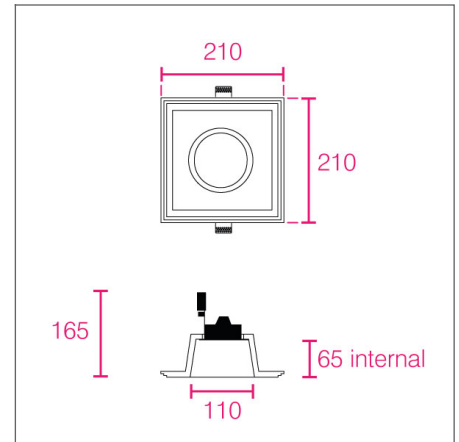
SHOWROOM
23 Bowling Green Lane
Clerkenwell
London EC1R 0BD
United Kingdom

FRANCE
28 Rue Charles
Baudelaire
75012 Paris
France

SWITZERLAND
St. Urbangasse 53
Postfach 1738
CH-4502 Solothurn
Switzerland

TIQAL ROUND SPECIFICATIONS

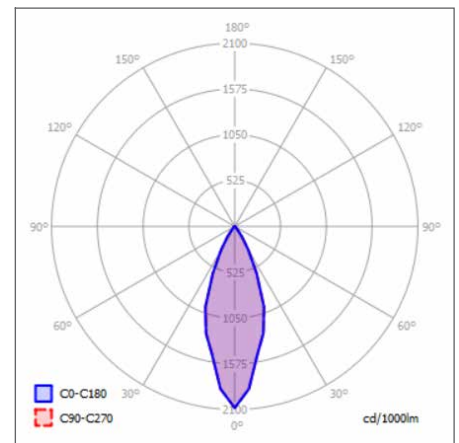
PRODUCT OPTIONS	
Dimensions (mm):	110 (Ø) x 65 (D)
Cut-out (mm):	210x210 (W) x 165 (D)
Weight (kg):	1.5 kg
Lifetime:	50,000 hrs
Mounting type:	Recessed (plaster-in)
Finish:	Natural Plaster
Emergency:	N/A (Separate Emergency lighting products available on request)
Operating voltage:	230V
IP Rating:	IP20
Light source:	Selected LED/retrofit options listed below
Driver:	Fixed Output, 1-10V, DALI, Push-dim, Casambi control*
Colour temperature:	3000K
Beam Angle:	36°, 55° (dependant on LED source)
Diffuser:	N/A
CRI:	90+ (dependant on LED source)
Optional Extras:	Sensors and alternative colour temperatures on request



TIQAL ROUND DIMENSIONS (MM)



FEATHERED EDGES AND FIXING TABS



POLAR CURVE 4000K COB LED

CHOOSE A PROJECT-SPECIFIC LIGHT SOURCE

Light Source	Power	Beam	Output	CRI	Rating
LED COB Adjustable	9.5W	36°	760lm	90	IP20
LED COB Adjustable	12.2W	36°	1170lm	90	IP20
LED COB CREE Fixed	9W	55°	650lm	80	IP65
MR16 Adjustable*	MAX 50W	~60°	~500lm	~80	IP20
GU10 Adjustable*	MAX 50W	~60°	~500lm	~80	IP20

* Bulb and power supply not included. Available dimming/control options may vary dependant on LED source choice. Enquire for advice on control options.



**60 YEARS
IN LIGHT**

CALL: +44 (0) 1235 55 37 69
EMAIL: sales@optelma.co.uk
ISSUE DATE: 03/12/20

HEAD OFFICE
The Science Park
Abingdon
Oxfordshire OX14 3YT
United Kingdom

SHOWROOM
23 Bowling Green Lane
Clerkenwell
London EC1R 0BD
United Kingdom

FRANCE
28 Rue Charles
Baudelaire
75012 Paris
France

SWITZERLAND
St. Urbangasse 53
Postfach 1738
CH-4502 Solothurn
Switzerland

TIQAL COMPONENTS



ROUND TIQAL
High strength plaster recessed fitting in a Round shape.



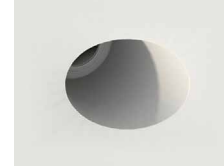
SQUARE TIQAL
High strength plaster recessed fitting in a Square shape.



TIQAL DOUBLE
High strength plaster recessed fitting in a Round double shape.



MR16 LAMP COMPATIBILITY
Retrofit LED option.
Lamp not included.



ASYMMETRIC TIQAL
High strength plaster recessed fitting in a Round shape.



GU10 LAMP COMPATIBILITY
Retrofit LED option.
Lamp not included.



**60 YEARS
IN LIGHT**

CALL: +44 (0) 1235 55 37 69
EMAIL: sales@optelma.co.uk

ISSUE DATE: 03/12/20

HEAD OFFICE

The Science Park
Abingdon
Oxfordshire OX14 3YT
United Kingdom

SHOWROOM

23 Bowling Green Lane
Clerkenwell
London EC1R 0BD
United Kingdom

FRANCE

28 Rue Charles
Baudelaire
75012 Paris
France

SWITZERLAND

St. Urbangasse 53
Postfach 1738
CH-4502 Solothurn
Switzerland

TIQAL SPECIFICATION CODE

AAAA - BB/C/D/E - F/GGG - HHHH/I								
AAAA PRODUCT ID	BB MOUNTING	C FINISH	D DRIVER	E BEAM ANGLE	F DIRECT LED	GGG CRI/ COLOUR	HHH DIAMETER/ SIZE (mm)	I EMERGENCY
TIQR TIQD TIQA TIQS	RE	P	F 1 D C X*	M W	L M IP65 MR16 GU10 XXXX*	927 930 940 XXX*	XXXX*	N/A

- * **X** Custom Options - specify details alongside code
- PRODUCT ID **TIQR** Tiqal Round, **TIQD** Tiqal Double, **TIQA** Tiqal Asymmetric, **TIQS** Tiqal Square
- MOUNTING **RE** Recessed Plaster-in
- FINISH **P** Natural Plaster
- DRIVER **F** Fixed Output, **1** 1-10V, **D** DALI, **C** Casambi control
- BEAM ANGLE **M** Medium beam 36°, **W** Wide beam 55°
- DIRECT LED **L** Low Power COB LED 9.5W, **M** Medium Power COB LED 12.2W, **IP65** IP65 rated COB LED 9W, **MR16** Retrofit MR16 LED (lamp not included), **GU10** Retrofit GU10 LED (lamp not included)
- CRI / COLOUR **927** CRI 90+ Colour 2700K, **930** CRI 90+ Colour 3000K, **940** CRI 90+ Colour 4000K
- DIAMETER / SIZE Specify chosen diameter or size in millimetres
- EMERGENCY Options available on request - specify details alongside code

*For all custom options specify details alongside code. I.e: **'Presence Detector'**, etc.

STANDARD

Standard fixed option products for quick and easy specification. Point source LED and Linear LED solutions, organised into Track & Spots, Downlights, Recessed, Surface, Suspended and Wall mounted solutions.

MADE-TO-MEASURE

Versatile systems and luminaires with custom specifications for project-specific lighting. Available in custom sizes and lengths, with many options including curves, corners, finishes, integrated accessories and more.

BESPOKE

Bespoke luminaires demonstrating completely custom project solutions, designed with the clients from concept to delivery. Learn about the design process and inspire your next bespoke lighting project.



60 YEARS IN LIGHT

CALL: +44 (0) 1235 55 37 69
EMAIL: sales@optelma.co.uk

ISSUE DATE: 03/12/20

HEAD OFFICE

The Science Park
Abingdon
Oxfordshire OX14 3YT
United Kingdom

SHOWROOM

23 Bowling Green Lane
Clerkenwell
London EC1R 0BD
United Kingdom

FRANCE

28 Rue Charles
Baudelaire
75012 Paris
France

SWITZERLAND

St. Urbangasse 53
Postfach 1738
CH-4502 Solothurn
Switzerland