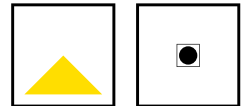


EMERGENCY 1

DOWNLIGHT



KEY FEATURES

- Open Area and Escape Route Downlight
- Low energy LED for Plasterboard ceilings and ceiling tiles
- Integral bi-colour status indicator
- Medium beam, Corridor (batwing) or Wide beam options
- Fixed Output, DALI or Self Test
- 160 to 230 lumen LED in 4000K to 5000K
- Silver, White or Black finish downlight housing



**60 YEARS
IN LIGHT**

FOR MORE INFORMATION OR TO TALK ABOUT A PROJECT:

CALL: +44 (0) 1235 55 37 69
EMAIL: sales@optelma.co.uk

ISSUE DATE: 11/06/19

HEAD OFFICE
The Science Park
Abingdon
Oxfordshire
OX14 3YT

LONDON SHOWROOM
23 Bowling Green Lane
Clerkenwell
London
EC1R 0BD

PARIS SHOWROOM
28 Rue Charles
Baudelaire
75012 Paris
France

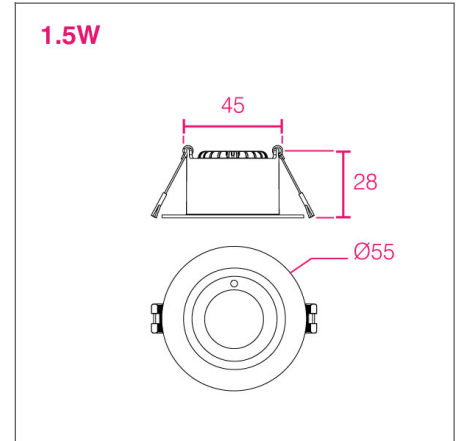
SWISS OFFICE
St. Urbangasse 53
Postfach 1738
CH-4502 Solothurn
Switzerland

EMERGENCY 1 SPECIFICATIONS

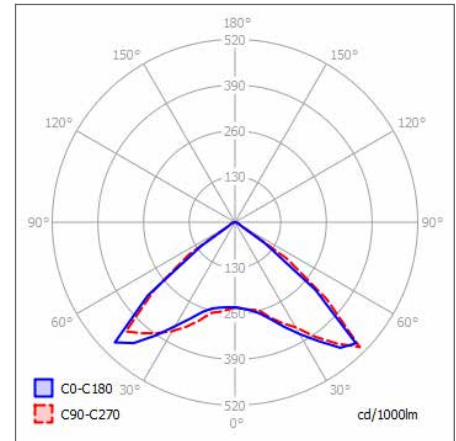
PRODUCT OPTIONS	
Dimensions (mm):	55 (D) x 28 (H)
Cut-out (mm):	45 (D)
Lifetime:	50,000 hrs
Mounting Type:	Recessed with Trim
Finish:	Matt White, Matt Black, Silver
Emergency:	3-hour remote battery (260x32x35mm 2.4V 1.8Ah NiCd)
Weight (kg):	~0.3 kg
Light source:	LED chip
Driver:	Standard, DALI or Self-Test
Colour temperature:	5000K
Beam Angle:	Medium (105°), Wide (160°), Corridor (Batwing), High Level (5M+)
Diffuser:	N/A
Operating Voltage:	230V ~50Hz
IP Rating:	IP42
CRI:	80
Delivered Lumens:	160lm (at 350mA*)
Power Consumption:	1.5 W
Efficiency (lm/W):	106 lm/W
Optional Extras:	*Run at 350mA as Standard. See table below for over-run outputs.

OUTPUTS WHEN OVER-RUN:

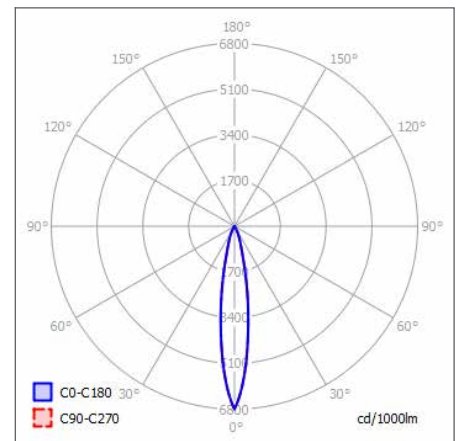
Beam Angle:	Driver Current:	Lumens / Watts:
Medium (105°)	350mA	130 lm / 1.0 W
	500mA	178 lm / 1.5 W
	700mA	234 lm / 2.2 W
Wide (160°)	350mA	138 lm / 1.0 W
	500mA	188 lm / 1.5 W
	700mA	240 lm / 2.2 W
Corridor (Batwing)	350mA	133 lm / 1.0 W
	500mA	189 lm / 1.6 W
	700mA	225 lm / 2.1 W
High Level (5M+)	350mA	142 lm / 1.0 W
	500mA	195 lm / 1.6 W
	700mA	257 lm / 2.3 W



CROSS-SECTION DIMENSIONS (MM)



POLAR CURVE: MEDIUM BEAM



POLAR CURVE: HIGH LEVEL



**60 YEARS
IN LIGHT**

FOR MORE INFORMATION OR TO TALK ABOUT A PROJECT:

CALL: +44 (0) 1235 55 37 69
EMAIL: sales@optelma.co.uk

ISSUE DATE: 11/06/19

HEAD OFFICE
The Science Park
Abingdon
Oxfordshire
OX14 3YT

LONDON SHOWROOM
23 Bowling Green Lane
Clerkenwell
London
EC1R 0BD

PARIS SHOWROOM
28 Rue Charles
Baudelaire
75012 Paris
France

SWISS OFFICE
St. Urbangasse 53
Postfach 1738
CH-4502 Solothurn
Switzerland

EMERGENCY 1 DOWNLIGHT COMPONENTS



SILVER BEZEL
Satin Silver thermally
conductive plastic
housing.



WHITE BEZEL
Matt White thermally
conductive plastic
housing.



BLACK BEZEL
Matt Black thermally
conductive plastic
housing.



**EMERGENCY
BATTERY**
260x32x35mm 2.4V
1.8Ah NiCd battery.



**60 YEARS
IN LIGHT**

**FOR MORE INFORMATION
OR TO TALK ABOUT A PROJECT:**

CALL: +44 (0) 1235 55 37 69
EMAIL: sales@optelma.co.uk

ISSUE DATE: 11/06/19

HEAD OFFICE
The Science Park
Abingdon
Oxfordshire
OX14 3YT

LONDON SHOWROOM
23 Bowling Green Lane
Clerkenwell
London
EC1R 0BD

PARIS SHOWROOM
28 Rue Charles
Baudelaire
75012 Paris
France

SWISS OFFICE
St. Urbangasse 53
Postfach 1738
CH-4502 Solothurn
Switzerland

EMERGENCY 1 DOWNLIGHT SPECIFICATION CODE

AAAA - BB/C/D/E - F/GGG - HHH/I								
AAAA PRODUCT ID	BB MOUNTING	C FINISH	D DRIVER	E BEAM ANGLE	F DIRECT LED	GGG CRI/ COLOUR	HHH DIAMETER/ SIZE (mm)	I EMERGENCY
EM01	RE	S W B	S D T	M W C H	L	850	055	E

- * **X** Custom Options - specify details alongside code
- PRODUCT ID **EM01** Emergency 1
- MOUNTING **RE** Recessed with trim
- FINISH **S** Silver, **W** Matt White, **B** Matt Black
- DRIVER **S** Standard, **D** DALI, **T** Self-test
- BEAM ANGLE **M** Medium, **W** Wide, **C** Corridor, **H** High-Level
- DIRECT LED **L** Low power 1.5W LED
- CRI / COLOUR **850** CRI 80 5000K
- DIAMETER / SIZE Spot diameter in millimetres
- EMERGENCY **E** Standard DALI Emergency

STANDARD

Standard fixed option products for quick and easy specification. Point source LED and Linear LED solutions, organised into Track & Spots, Downlights, Recessed, Surface, Suspended and Wall mounted solutions.

MADE-TO-MEASURE

Versatile systems and luminaires with custom specifications for project-specific lighting. Available in custom sizes and lengths, with many options including curves, corners, finishes, integrated accessories and more.

BESPOKE

Bespoke luminaires demonstrating completely custom project solutions, designed with the clients from concept to delivery. Learn about the design process and inspire your next bespoke lighting project.



**60 YEARS
IN LIGHT**

FOR MORE INFORMATION OR TO TALK ABOUT A PROJECT:

CALL: +44 (0) 1235 55 37 69
EMAIL: sales@optelma.co.uk

ISSUE DATE: 11/06/19

HEAD OFFICE
The Science Park
Abingdon
Oxfordshire
OX14 3YT

LONDON SHOWROOM
23 Bowling Green Lane
Clerkenwell
London
EC1R 0BD

PARIS SHOWROOM
28 Rue Charles
Baudelaire
75012 Paris
France

SWISS OFFICE
St. Urbangasse 53
Postfach 1738
CH-4502 Solothurn
Switzerland