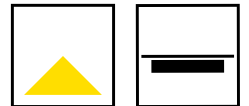


# ANGLE

## MINI PROFILE



### KEY FEATURES

- Site-specific lengths to the nearest millimetre, lit continuously
- Surface Mounted directly into corners, pelmets or plinths
- Direct lighting at 45° with an Opal Polycarbonate diffuser
- A wide range of available LED sources from 4.8W to 28.8W, including RGB, RGBW and Tunable White
- Control options include Fixed Output, DALI, 1-10V or DMX
- Anodised Aluminium finish as standard, with many more available on request



**60 YEARS**  
**IN LIGHT**

CALL: +44 (0) 1235 55 37 69  
EMAIL: [sales@optelma.co.uk](mailto:sales@optelma.co.uk)  
ISSUE DATE: 21/01/20

**HEAD OFFICE**  
The Science Park  
Abingdon  
Oxfordshire OX14 3YT  
United Kingdom

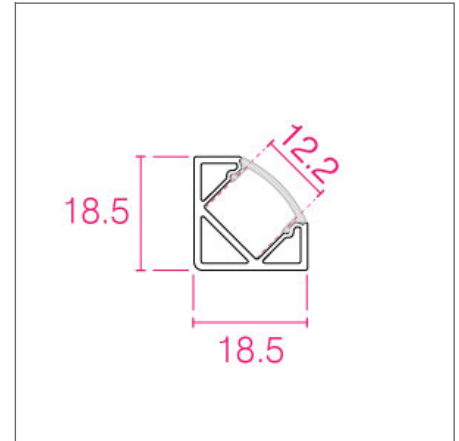
**SHOWROOM**  
23 Bowling Green Lane  
Clerkenwell  
London EC1R 0BD  
United Kingdom

**FRANCE**  
28 Rue Charles  
Baudelaire  
75012 Paris  
France

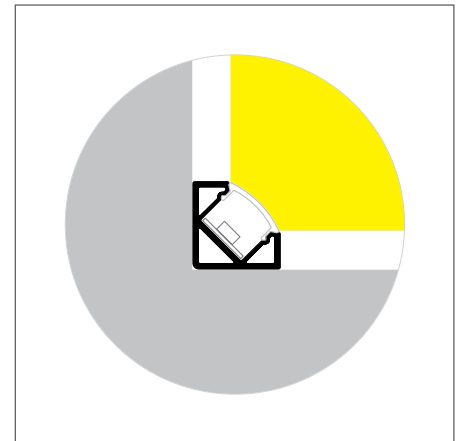
**SWITZERLAND**  
St. Urbangasse 53  
Postfach 1738  
CH-4502 Solothurn  
Switzerland

## ANGLE SPECIFICATIONS

PRODUCT OPTIONS	
Dimensions (mm):	18.5 (W) x 18.5 (H) x 2000mm or <i>Made-to-Measure Lengths</i>
Cut-out (mm):	<i>N/A</i>
Weight (kg):	<1.0 kg per Metre
Lifetime:	50,000 hrs
Mounting type:	Surface Mounted
Finish:	Anodised Aluminium
Emergency:	Remote 3-hour emergency conversion on request (not full length)
Operating voltage:	24V
IP Rating:	IP20 (IP Rated on request)
Light source:	Selected linear LED options listed below (double-run on request)
Driver:	Fixed Output, 1-10V, DALI, DMX
Colour temperature:	2700K, 3000K, 4000K, 6500K, Tuneable 2700K-6500K, RGB, RGBW
Beam Angle:	120°
Diffuser:	Opal Clip-In, Clear Clip-in
CRI:	90+
Optional Extras:	Additional finishes & LED sources on request



CROSS-SECTION DIMENSIONS (MM)

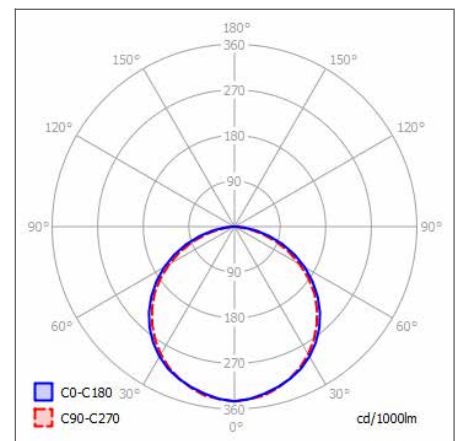


DISTRIBUTION

### CUSTOMISE YOUR LIGHTING SPECIFICATIONS WITH OUR RANGE OF LED TAPES & BOARDS

Light Source (single run)*	Lumen Output	Power	LED / Metre	Cut-points
Opteline Rigid LED Board	956-1028 lm/M	15.5 W/M	120	50 mm
Opteflex Ultra-Low Power LED	338-358 lm/M	4.8 W/M	120	50 mm
Opteflex Low Power LED	676-715 lm/M	9.6 W/M	120	50 mm
Opteflex Medium Power LED	715-910 lm/M	14.4 W/M	120	50 mm
Opteflex High Power LED	1378-1463 lm/M	19.2 W/M	140	50 mm
Opteflex Ultra-High Power LED	1735-1820 lm/M	28.8 W/M	140	50 mm
Opteflex RGB Colour LED	436 lm/M (MAX)	15 W/M	96	62.5 mm
Opteflex RGBW Colour LED	488 lm/M (MAX)	30.8 W/M	96	62.5 mm
Opteflex Tuneable White LED	897-1853 lm/M	19.2 W/M	140	50 mm

\* Choose from our full range of LED Tapes & Boards online.



POLAR CURVE 4000K OPAL



**60 YEARS  
IN LIGHT**

CALL: +44 (0) 1235 55 37 69

EMAIL: sales@optelma.co.uk

ISSUE DATE: 21/01/20

#### HEAD OFFICE

The Science Park  
Abingdon  
Oxfordshire OX14 3YT  
United Kingdom

#### SHOWROOM

23 Bowling Green Lane  
Clerkenwell  
London EC1R 0BD  
United Kingdom

#### FRANCE

28 Rue Charles  
Baudelaire  
75012 Paris  
France

#### SWITZERLAND

St. Urbangasse 53  
Postfach 1738  
CH-4502 Solothurn  
Switzerland

## ANGLE COMPONENTS



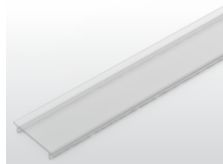
**ANODISED ALUMINIUM**  
Satin anodised finish (10 microns).



**OPAL DIFFUSER**  
Clip-in opal polycarbonate diffuser.



**MATT WHITE**  
Matt White RAL 9016 painted finish on request.



**CLEAR DIFFUSER**  
Clip-in clear polycarbonate diffuser.



**MATT BLACK**  
Matt Black RAL 9005 painted finish on request.



**END CAPS**  
Durable push-fit end caps, supplied as standard.



**40W-60W DRIVER**  
Fixed Output 24V driver. Size: 162.5 x 42.5 x 32mm



**60W-100W DRIVER**  
Fixed Output 24V driver. Size: 190 x 52 x 37mm



**DMX512 DECODER**  
4-channel decoder for RGBW. Size: 167 x 52 x 23mm



**60 YEARS  
IN LIGHT**

CALL: +44 (0) 1235 55 37 69  
EMAIL: sales@optelma.co.uk  
ISSUE DATE: 21/01/20

**HEAD OFFICE**  
The Science Park  
Abingdon  
Oxfordshire OX14 3YT  
United Kingdom

**SHOWROOM**  
23 Bowling Green Lane  
Clerkenwell  
London EC1R 0BD  
United Kingdom

**FRANCE**  
28 Rue Charles  
Baudelaire  
75012 Paris  
France

**SWITZERLAND**  
St. Urbangasse 53  
Postfach 1738  
CH-4502 Solothurn  
Switzerland

## ANGLE SPECIFICATION CODE

AAAA - BB/C/D/E - F/GGG - HHHH/I								
AAAA PRODUCT ID	BB MOUNTING	C FINISH	D DRIVER	E DIFFUSER	F DIRECT LED	GGG CRI/ COLOUR	HHH LENGTH (mm)	I EMERGENCY
ANG1	SM	A X*	F D 1 M X*	O X*	XXXX* ENTER PRODUCT CODE	8TW 927 930 940 965	XXXX* ENTER CUSTOM LENGTH	N/A

- \* **X** Custom Options - specify details alongside code
- MOUNTING **SM** Surface Mounted
- FINISH **A** Anodised Aluminium, **X** Other - specify details alongside code
- DRIVER **F** Fixed Output, **D** DALI, **1** 1-10V, **L** Leading & Trailing Edge, **M** Mains Dim
- DIFFUSER **O** Opal
- DIRECT LED **OB01** Opteline LED Board, **OXUL** Opteflex Ultra Low Power LED Tape, **OXLO** Opteflex Low Power LED Tape, **OXME** Opteflex Medium Power LED Tape, **OXHI** Opteflex High Power LED Tape, **OXUH** Opteflex Ultra High Power LED Tape
- CRI / COLOUR **8TW** Tuneable White 2700-5700K, **927** CRI 90+ Colour 2700K, **930** CRI 90+ Colour 3000K, **940** CRI 90+ Colour 4000K, **965** CRI 90+ Colour 6500K
- LENGTH Made-to-Measure length in millimetres
- EMERGENCY Options available on request - specify details alongside code

### STANDARD

Standard fixed option products for quick and easy specification. Point source LED and Linear LED solutions, organised into Track & Spots, Downlights, Recessed, Surface, Suspended and Wall mounted solutions.

### MADE-TO-MEASURE

Versatile systems and luminaires with custom specifications for project-specific lighting. Available in custom sizes and lengths, with many options including curves, corners, finishes, integrated accessories and more.

### BESPOKE

Bespoke luminaires demonstrating completely custom project solutions, designed with the clients from concept to delivery. Learn about the design process and inspire your next bespoke lighting project.



### 60 YEARS IN LIGHT

CALL: +44 (0) 1235 55 37 69  
EMAIL: sales@optelma.co.uk  
ISSUE DATE: 21/01/20

#### HEAD OFFICE

The Science Park  
Abingdon  
Oxfordshire OX14 3YT  
United Kingdom

#### SHOWROOM

23 Bowling Green Lane  
Clerkenwell  
London EC1R 0BD  
United Kingdom

#### FRANCE

28 Rue Charles  
Baudelaire  
75012 Paris  
France

#### SWITZERLAND

St. Urbangasse 53  
Postfach 1738  
CH-4502 Solothurn  
Switzerland