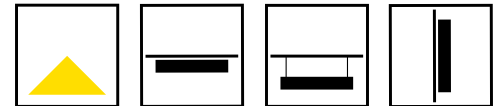


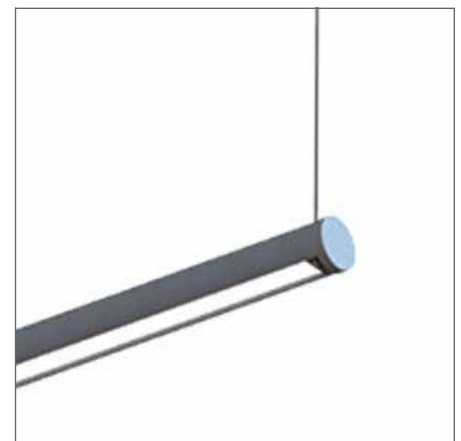
AMMALUX

MINI PROFILE



KEY FEATURES

- Surface, Suspended (Drop) or Wall mounted (Library) profile.
- Made-to-measure lengths (Max. single run 3000mm).
- Standard finishes Anodised Silver, Matt Black or Matt White with custom finishes on request.
- End-caps, mounting arms and more accessories available.
- IP20 as standard, IP65 conformal coating on request.
- Wide range of LED sources available (up to 8mm wide).
- Driver/control options include Fixed Output, Mains Dimmable, 1-10V Dimmable & DALI Dimmable control.



60 YEARS
IN LIGHT

FOR MORE INFORMATION OR TO TALK ABOUT A PROJECT:

CALL: +44 (0) 1235 55 37 69

EMAIL: sales@optelma.co.uk

ISSUE DATE: 01/01/18

HEAD OFFICE

The Science Park
Abingdon
Oxfordshire OX14 3YT
United Kingdom

SHOWROOM

23 Bowling Green Lane
Clerkenwell
London EC1R 0BD
United Kingdom

FRANCE

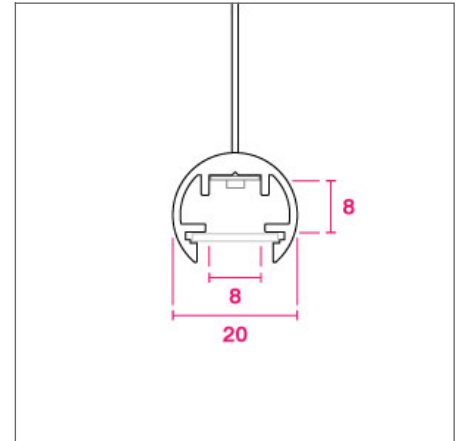
28 Rue Charles
Baudelaire
75012 Paris
France

SWITZERLAND

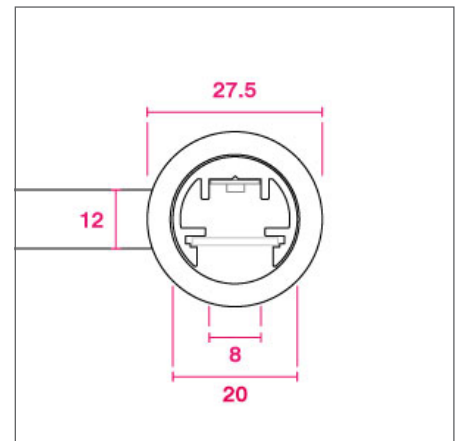
St. Urbangasse 53
Postfach 1738
CH-4502 Solothurn
Switzerland

AMMALUX SPECIFICATIONS

PRODUCT OPTIONS	
Dimensions (mm):	20 (Ø) x 3000mm or <i>Made-to-Measure Lengths</i>
Cut-out (mm):	<i>N/A</i>
Weight (kg):	<1.0 kg per Metre
Lifetime:	50,000 hrs
Mounting type:	Surface, Suspended (Drop), Wall or Desk Mounted (Library)
Finish:	Anodised Silver, Matt Black, Matt White
Emergency:	Remote 3-hour emergency conversion on request (not full length)
Operating voltage:	24V
IP Rating:	IP20 (IP Rated up to IP65 on request)
Light source:	Selected linear LED options listed below (max width 8mm)
Driver:	Fixed Output, 1-10V, DALI, Mains Dim
Colour temperature:	2700K, 3000K, 4000K, 6500K
Beam Angle:	120°
Diffuser:	MPO Polycarbonate slide-in diffuser
CRI:	90+
Optional Extras:	Additional finishes & LED sources on request



AMMALUX DROP CROSS-SECTION (MM)

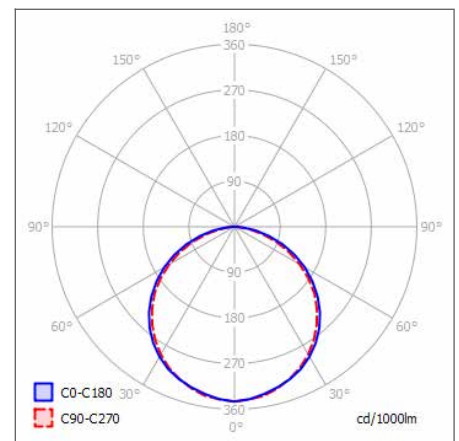


AMMALUX LIBRARY CROSS-SECTION (MM)

CUSTOMISE YOUR LIGHTING SPECIFICATIONS WITH OUR RANGE OF LED TAPES

Light Source (single run)*	Lumen Output	Power	LED / Metre	Cut-points
Opteflex Ultra-Low Power LED	338-358 lm/M	4.8 W/M	120	50 mm
Opteflex Low Power LED	676-715 lm/M	9.6 W/M	120	50 mm
Opteflex Flow LED (Low)	500 lm/M	5 W/M	Continuous	50 mm
Opteflex Flow LED (Medium)	1000 lm/M	10 W/M	Continuous	50 mm
Opteflex Flow LED (High)	1600 lm/M	16 W/M	Continuous	50 mm

* Choose from our full range of LED Tapes & Boards online.



POLAR CURVE 4000K



**60 YEARS
IN LIGHT**

FOR MORE INFORMATION OR TO TALK ABOUT A PROJECT:

CALL: +44 (0) 1235 55 37 69
EMAIL: sales@optelma.co.uk

ISSUE DATE: 01/01/18

HEAD OFFICE

The Science Park
Abingdon
Oxfordshire OX14 3YT
United Kingdom

SHOWROOM

23 Bowling Green Lane
Clerkenwell
London EC1R 0BD
United Kingdom

FRANCE

28 Rue Charles
Baudelaire
75012 Paris
France

SWITZERLAND

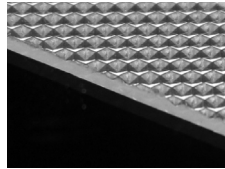
St. Urbangasse 53
Postfach 1738
CH-4502 Solothurn
Switzerland

AMMALUX COMPONENTS



ANODISED SILVER

Satin anodised finish (10 microns).



MPO DIFFUSER

Slide-in MPO polycarbonate diffuser.



END CAPS

Durable push-fit aluminium end caps available.



40W-60W DRIVER

Fixed Output 24V driver. Size: 162.5 x 42.5 x 32mm



60W-100W DRIVER

Fixed Output 24V driver. Size: 190 x 52 x 37mm



**60 YEARS
IN LIGHT**

**FOR MORE INFORMATION
OR TO TALK ABOUT A PROJECT:**

CALL: +44 (0) 1235 55 37 69
EMAIL: sales@optelma.co.uk

ISSUE DATE: 01/01/18

HEAD OFFICE

The Science Park
Abingdon
Oxfordshire OX14 3YT
United Kingdom

SHOWROOM

23 Bowling Green Lane
Clerkenwell
London EC1R 0BD
United Kingdom

FRANCE

28 Rue Charles
Baudelaire
75012 Paris
France

SWITZERLAND

St. Urbangasse 53
Postfach 1738
CH-4502 Solothurn
Switzerland

AMMALUX SPECIFICATION CODE

AAAA - BB/C/D/E - F/GGG - HHHH/I								
AAAA PRODUCT ID	BB MOUNTING	C FINISH	D DRIVER	E DIFFUSER	F DIRECT LED	GGG CRI/ COLOUR	HHH LENGTH (mm)	I EMERGENCY
AMMA	SM SP WM DM	S B W X*	F M 1 D X*	M	XXXX* ENTER PRODUCT CODE	927 930 940 965 XXX*	XXXX* ENTER CUSTOM LENGTH	N/A

- * **X** Custom Options - specify details alongside code
- MOUNTING **SM** Surface Mounted, **SP** Suspended Parallel, **WM** Wall Mounted (Library), **DM** Desk Mounted (Library)
- FINISH **S** Anodised Silver, **B** Matt Black, **W** Matt White
- DRIVER **F** Fixed Output, **M** Mains Dim, **1** 1-10V, **D** DALI Dim
- DIFFUSER **M** MPO Polycarbonate
- DIRECT LED **OXUL** Opteflex Ultra-Low Power, **OXLO** Opteflex Low Power, **OXFL** Opteflex Flow LED - specify power alongside code
- CRI / COLOUR **927** CRI 90+ Colour 2700K, **930** CRI 90+ Colour 3000K, **940** CRI 90+ Colour 4000K, **965** CRI 90+ Colour 6500K
- LENGTH Made-to-Measure length in millimetres
- EMERGENCY N/A

STANDARD

Standard fixed option products for quick and easy specification. Point source LED and Linear LED solutions, organised into Track & Spots, Downlights, Recessed, Surface, Suspended and Wall mounted solutions.

MADE-TO-MEASURE

Versatile systems and luminaires with custom specifications for project-specific lighting. Available in custom sizes and lengths, with many options including curves, corners, finishes, integrated accessories and more.

BESPOKE

Bespoke luminaires demonstrating completely custom project solutions, designed with the clients from concept to delivery. Learn about the design process and inspire your next bespoke lighting project.



**60 YEARS
IN LIGHT**

FOR MORE INFORMATION OR TO TALK ABOUT A PROJECT:

CALL: +44 (0) 1235 55 37 69
EMAIL: sales@optelma.co.uk

ISSUE DATE: 01/01/18

HEAD OFFICE

The Science Park
Abingdon
Oxfordshire OX14 3YT
United Kingdom

SHOWROOM

23 Bowling Green Lane
Clerkenwell
London EC1R 0BD
United Kingdom

FRANCE

28 Rue Charles
Baudelaire
75012 Paris
France

SWITZERLAND

St. Urbangasse 53
Postfach 1738
CH-4502 Solothurn
Switzerland