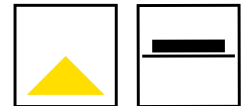


ANGLE IN

MINI PROFILE



KEY FEATURES

- Site-specific lengths to the nearest millimetre, lit continuously
- Plaster-in recessed lighting solution for corners and edges
- Direct lighting with Opal or Clear Polycarbonate diffuser
- A wide range of available LED sources from 3.6W to 28W, including RGB, RGBW and Tunable White
- Control options include Fixed Output, DALI, 1-10V or DMX
- Anodised Aluminium finishes available as standard, with Matt White, Matt Black and many more on request



60 YEARS
IN LIGHT

FOR MORE INFORMATION OR TO TALK ABOUT A PROJECT:

CALL: +44 (0) 1235 55 37 69
EMAIL: sales@optelma.co.uk

ISSUE DATE: 01/04/2020

HEAD OFFICE

The Science Park
Abingdon
Oxfordshire OX14 3YT
United Kingdom

SHOWROOM

23 Bowling Green Lane
Clerkenwell
London EC1R 0BD
United Kingdom

FRANCE

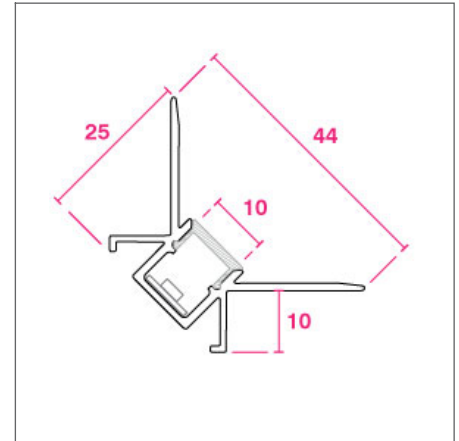
28 Rue Charles
Baudelaire
75012 Paris
France

SWITZERLAND

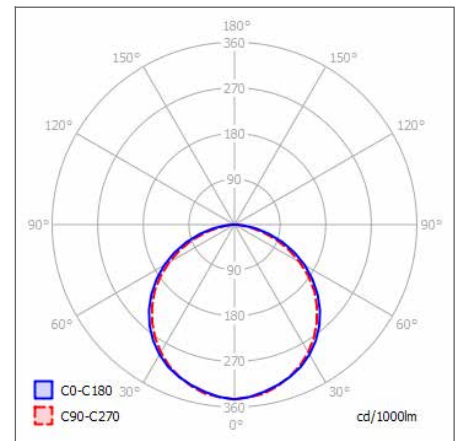
St. Urbangasse 53
Postfach 1738
CH-4502 Solothurn
Switzerland

ANGLE IN SPECIFICATIONS

PRODUCT OPTIONS	
Dimensions (mm):	44 (W) x 10 (D) x 2500mm or <i>Made-to-Measure Lengths</i>
Cut-out (mm):	10mm depth into corner, plaster skimmed to profile edge.
Weight (kg):	<1.0 kg per Metre
Lifetime:	50,000 hrs
Mounting type:	Plaster-in recessed
Finish:	Anodised Aluminium
Emergency:	N/A
Operating voltage:	24V
IP Rating:	IP20, IP44 Conformal-Coated, IP67 Resin-filled
Light source:	Selected linear LED options listed below
Driver:	Fixed Output, 1-10V, DALI, DMX, Switch Dim
Colour temperature:	2700K, 3000K, 4000K, Tuneable 2800K-6500K
Beam Angle:	N/A
Diffuser:	Opal Clip-In, Clear Clip-in
CRI:	80+
Optional Extras:	



CROSS-SECTION DIMENSIONS (MM)



POLAR CURVE 4000K OPAL

CUSTOMISE YOUR LIGHTING SPECIFICATIONS WITH OUR RANGE OF LED TAPES & BOARDS

Light Source*	Lumen Output	Power	LED / Metre	Cut-points
Opteflex Premium 3.6w	575-636 lm/M	6.6 W/M	160	50 mm
Opteflex Premium 7.2w	1138-1257 lm/M	7.2 W/M	160	50 mm
Opteflex Premium 10.8w	1782-1969 lm/M	10.8 W/M	160	50 mm
Opteflex Premium 14.4w	2226-2461 lm/M	14.4 W/M	160	50 mm
Opteflex Premium 19.2w	3072-3395 lm/M	19.2 W/M	160	50 mm
Opteflex Premium 28w	4548-5027 lm/M	28.0 W/M	160	50 mm
Opteflex RGB Colour LED	436 lm/M (MAX)	15 W/M	96	62.5 mm
Opteflex RGBW Colour LED	488 lm/M (MAX)	30.8 W/M	96	62.5 mm
Opteflex Tuneable White LED	897-1853 lm/M	19.2 W/M	140	50 mm

Opal Diffuser LOR 78%, Clear Diffuser LOR 92%

* Choose from our full range of LED Tapes & Boards online.



**60 YEARS
IN LIGHT**

FOR MORE INFORMATION OR TO TALK ABOUT A PROJECT:

CALL: +44 (0) 1235 55 37 69
EMAIL: sales@optelma.co.uk
ISSUE DATE: 01/04/2020

HEAD OFFICE
The Science Park
Abingdon
Oxfordshire OX14 3YT
United Kingdom

SHOWROOM
23 Bowling Green Lane
Clerkenwell
London EC1R 0BD
United Kingdom

FRANCE
28 Rue Charles
Baudelaire
75012 Paris
France

SWITZERLAND
St. Urbangasse 53
Postfach 1738
CH-4502 Solothurn
Switzerland

ANGLE IN COMPONENTS



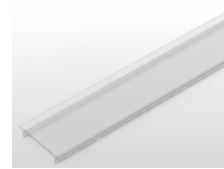
ANODISED ALUMINIUM

Satin anodised finish (10 microns).



OPAL DIFFUSER

Clip-in opal polycarbonate diffuser.



CLEAR DIFFUSER

Clip-in clear polycarbonate diffuser.



40W-60W DRIVER

Fixed Output 24V driver. Size: 162.5 x 42.5 x 32mm



60W-100W DRIVER

Fixed Output 24V driver. Size: 190 x 52 x 37mm



DMX512 DECODER

4-channel decoder for RGBW. Size: 167 x 52 x 23mm



**60 YEARS
IN LIGHT**

**FOR MORE INFORMATION
OR TO TALK ABOUT A PROJECT:**

CALL: +44 (0) 1235 55 37 69
EMAIL: sales@optelma.co.uk

ISSUE DATE: 01/04/2020

HEAD OFFICE

The Science Park
Abingdon
Oxfordshire OX14 3YT
United Kingdom

SHOWROOM

23 Bowling Green Lane
Clerkenwell
London EC1R 0BD
United Kingdom

FRANCE

28 Rue Charles
Baudelaire
75012 Paris
France

SWITZERLAND

St. Urbangasse 53
Postfach 1738
CH-4502 Solothurn
Switzerland

ANGLE IN SPECIFICATION CODE

AAAA - BB/C/D/E - F/GGG - HHHH/I								
AAAA PRODUCT ID	BB MOUNTING	C FINISH	D DRIVER	E DIFFUSER	F DIRECT LED	GGG CRI/ COLOUR	HHH LENGTH (mm)	I EMERGENCY
ANGI	PI	A X*	F D 1 M S X*	O C X*	XXXX* ENTER PRODUCT CODE	8TW 827 830 840 XXX*	2500 XXXX* ENTER CUSTOM LENGTH	N/A

- * **X** Custom Options - specify details alongside code
- MOUNTING **PI** Plaster-in Recessed
- FINISH **A** Anodised Aluminium
- DRIVER **F** Fixed Output, **D** DALI, **1** 1-10V, **L** Leading & Trailing Edge, **M** Mains Dim, **S** Switch Dim
- DIFFUSER **O** Opal, **C** Clear
- DIRECT LED **OX04** Opteflex 4.8W LED Tape, **OX09** Opteflex 9.6W LED Tape, **OX11** Opteflex Tuneable White 1 LED Tape, **OXCR** Opteflex Colour Red LED Tape, **OXCG** Opteflex Colour Green LED Tape, **OXCB** Opteflex Colour Blue LED Tape, **OXCA** Opteflex Colour Amber LED Tape
- CRI / COLOUR **8TW** Tuneable White 2700-5700K, **827** CRI 80+ Colour 2700K, **830** CRI 80+ Colour 3000K, **840** CRI 80+ Colour 4000K
- LENGTH Made-to-Measure length in millimetres
- EMERGENCY N/A

STANDARD

Standard fixed option products for quick and easy specification. Point source LED and Linear LED solutions, organised into Track & Spots, Downlights, Recessed, Surface, Suspended and Wall mounted solutions.

MADE-TO-MEASURE

Versatile systems and luminaires with custom specifications for project-specific lighting. Available in custom sizes and lengths, with many options including curves, corners, finishes, integrated accessories and more.

BESPOKE

Bespoke luminaires demonstrating completely custom project solutions, designed with the clients from concept to delivery. Learn about the design process and inspire your next bespoke lighting project.



**60 YEARS
IN LIGHT**

FOR MORE INFORMATION OR TO TALK ABOUT A PROJECT:

CALL: +44 (0) 1235 55 37 69
EMAIL: sales@optelma.co.uk

ISSUE DATE: 01/04/2020

HEAD OFFICE

The Science Park
Abingdon
Oxfordshire OX14 3YT
United Kingdom

SHOWROOM

23 Bowling Green Lane
Clerkenwell
London EC1R 0BD
United Kingdom

FRANCE

28 Rue Charles
Baudelaire
75012 Paris
France

SWITZERLAND

St. Urbangasse 53
Postfach 1738
CH-4502 Solothurn
Switzerland