



GLASS

MINI PROFILE



KEY FEATURES

- Extruded profile for edge-lit glazing or acrylic panes.
- Made-to-measure lengths (Max. single run 3000mm).
- Standard finish Anodised Silver with others on request.
- Made for Glass/Acrylic panels 11.9 to 13.5 mm thick.
- IP20 as standard, IP65 conformal coating on request.
- Wide range of LED sources available (up to 14mm wide).
- Driver/control options include Fixed Output, Mains Dimmable, 1-10V Dimmable, DALI Dimmable and DMX control.
- End-caps included as standard.



**60 YEARS
IN LIGHT**

**FOR MORE INFORMATION
OR TO TALK ABOUT A PROJECT:**

CALL: +44 (0) 1235 55 37 69
EMAIL: sales@optelma.co.uk
ISSUE DATE: 01/01/18

HEAD OFFICE
The Science Park
Abingdon
Oxfordshire OX14 3YT
United Kingdom

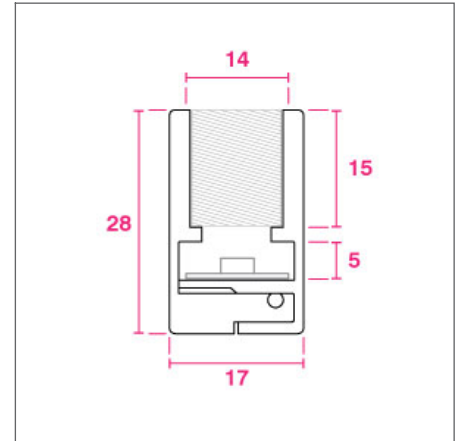
SHOWROOM
23 Bowling Green Lane
Clerkenwell
London EC1R 0BD
United Kingdom

FRANCE
28 Rue Charles
Baudelaire
75012 Paris
France

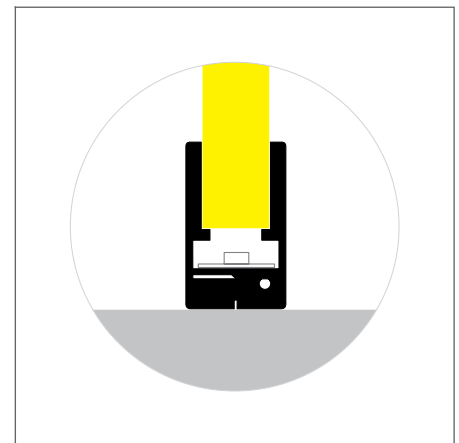
SWITZERLAND
St. Urbangasse 53
Postfach 1738
CH-4502 Solothurn
Switzerland

GLASS SPECIFICATIONS

PRODUCT OPTIONS	
Dimensions (mm):	17 (W) x 28 (H) x 3000mm or <i>Made-to-Measure Lengths</i>
Cut-out (mm):	N/A
Weight (kg):	<1.0 kg per Metre
Lifetime:	50,000 hrs
Mounting type:	Surface Mounted (onto edge of glazing/acrylic pane)
Finish:	Anodised Silver
Emergency:	Remote 3-hour emergency conversion on request (not full length)
Operating voltage:	24V
IP Rating:	IP20 (IP Rated up to IP65 on request)
Light source:	Selected linear LED options listed below (max width 14mm)
Driver:	Fixed Output, 1-10V, DALI, DMX, Switch Dim
Colour temperature:	2700K, 3000K, 4000K, 6500K, 1800K-6500K Tuneable White
Beam Angle:	120°
Diffuser:	Made for glazing/acrylic panels 11.9 to 13.5 mm thick
CRI:	90+
Optional Extras:	Additional finishes & LED sources on request



CROSS-SECTION DIMENSIONS (MM)

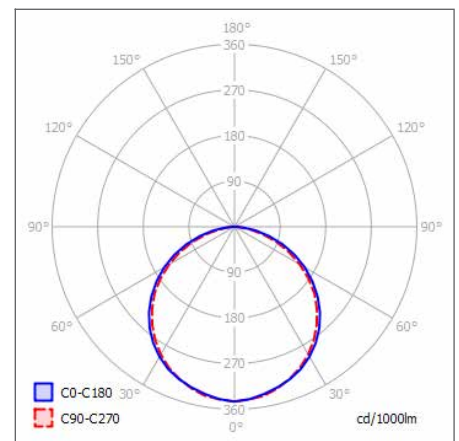


DISTRIBUTION

CUSTOMISE YOUR LIGHTING SPECIFICATIONS WITH OUR RANGE OF LED TAPES & BOARDS

Light Source (single run)*	Lumen Output	Power	LED / Metre	Cut-points
Opteline LED Board	1382-1578 lm/M	16.0 W/M	126	50 mm
Opteflex Ultra-Low Power LED	338-358 lm/M	4.8 W/M	120	50 mm
Opteflex Low Power LED	676-715 lm/M	9.6 W/M	120	50 mm
Opteflex Medium Power LED	673-1036 lm/M	14.4 W/M	120	50 mm
Opteflex High Power LED	1284-1665 lm/M	19.2 W/M	140	50 mm
Opteflex RGB LED	306 lm/M (MAX)	15 W/M	96	62.5 mm
Opteflex Tuneable LED (Med.)	1170-1203 lm/M	33.6 W/M	196	71.4 mm
Opteflex Flow LED (High)	1600 lm/M	16 W/M	Continuous	50 mm

* Choose from our full range of LED Tapes & Boards online.



POLAR CURVE 4000K



**60 YEARS
IN LIGHT**

FOR MORE INFORMATION OR TO TALK ABOUT A PROJECT:

CALL: +44 (0) 1235 55 37 69
EMAIL: sales@optelma.co.uk

ISSUE DATE: 01/01/18

HEAD OFFICE

The Science Park
Abingdon
Oxfordshire OX14 3YT
United Kingdom

SHOWROOM

23 Bowling Green Lane
Clerkenwell
London EC1R 0BD
United Kingdom

FRANCE

28 Rue Charles
Baudelaire
75012 Paris
France

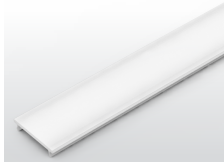
SWITZERLAND

St. Urbangasse 53
Postfach 1738
CH-4502 Solothurn
Switzerland

GLASS COMPONENTS



ANODISED SILVER
Satin anodised finish
(10 microns).



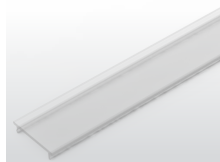
OPAL DIFFUSER
Clip-in opal
polycarbonate
diffuser.



40W-60W DRIVER
Fixed Output 24V
driver. Size:
162.5 x 42.5 x 32mm



MATT WHITE
Powder-coated Matt
White RAL 9016
painted finish.



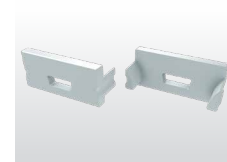
CLEAR DIFFUSER
Clip-in clear
polycarbonate
diffuser.



60W-100W DRIVER
Fixed Output 24V
driver. Size:
190 x 52 x 37mm



MITRED CORNER
90-degree or custom
angle mitred corners
for continuous light.



END CAPS
Durable push-fit end
caps, supplied as
standard.



DMX512 DECODER
4-channel decoder
for RGBW. Size:
167 x 52 x 23mm



**FOR MORE INFORMATION
OR TO TALK ABOUT A PROJECT:**

CALL: +44 (0) 1235 55 37 69
EMAIL: sales@optelma.co.uk

ISSUE DATE: 01/01/18

HEAD OFFICE

The Science Park
Abingdon
Oxfordshire OX14 3YT
United Kingdom

SHOWROOM

23 Bowling Green Lane
Clerkenwell
London EC1R 0BD
United Kingdom

FRANCE

28 Rue Charles
Baudelaire
75012 Paris
France

SWITZERLAND

St. Urbangasse 53
Postfach 1738
CH-4502 Solothurn
Switzerland

TERRA SPECIFICATION CODE

AAAA - BB/C/D/E - F/GGG - HHHH/I								
AAAA PRODUCT ID	BB MOUNTING	C FINISH	D DRIVER	E DIFFUSER	F DIRECT LED	GGG CRI/ COLOUR	HHH LENGTH (mm)	I EMERGENCY
TERR	IG	A W X*	F D 1 M S X*	O C X*	XXXX* ENTER PRODUCT CODE	8TW 827 830 840 XXX*	XXXX* ENTER CUSTOM LENGTH	N/A

- * **X** Custom Options - specify details alongside code
- MOUNTING **IG** In-ground Recessed
- FINISH **A** Anodised Aluminium, **W** Matt White
- DRIVER **F** Fixed Output, **D** DALI, **1** 1-10V, **L** Leading & Trailing Edge, **M** Mains Dim, **S** Switch Dim
- DIFFUSER **O** Opal, **C** Clear
- DIRECT LED **OB01** Opteline LED Board, **OXUL** Opteflex Ultra-Low Power, **OXLO** Opteflex Low Power, **OXME** Opteflex Medium Power, **OXHI** Opteflex High Power **OXTW** Opteflex Tuneable White, **OXFL** Opteflex Flow LED - specify power alongside code
- CRI / COLOUR **9TW** Tuneable White 1800-6500K, **927** CRI 80+ Colour 2700K, **930** CRI 80+ Colour 3000K, **940** CRI 80+ Colour 4000K
- LENGTH Made-to-Measure length in millimetres
- EMERGENCY Options available on request - specify details alongside code

STANDARD

Standard fixed option products for quick and easy specification. Point source LED and Linear LED solutions, organised into Track & Spots, Downlights, Recessed, Surface, Suspended and Wall mounted solutions.

MADE-TO-MEASURE

Versatile systems and luminaires with custom specifications for project-specific lighting. Available in custom sizes and lengths, with many options including curves, corners, finishes, integrated accessories and more.

BESPOKE

Bespoke luminaires demonstrating completely custom project solutions, designed with the clients from concept to delivery. Learn about the design process and inspire your next bespoke lighting project.



**60 YEARS
IN LIGHT**

FOR MORE INFORMATION OR TO TALK ABOUT A PROJECT:

CALL: +44 (0) 1235 55 37 69
EMAIL: sales@optelma.co.uk

ISSUE DATE: 01/01/18

HEAD OFFICE

The Science Park
Abingdon
Oxfordshire OX14 3YT
United Kingdom

SHOWROOM

23 Bowling Green Lane
Clerkenwell
London EC1R 0BD
United Kingdom

FRANCE

28 Rue Charles
Baudelaire
75012 Paris
France

SWITZERLAND

St. Urbangasse 53
Postfach 1738
CH-4502 Solothurn
Switzerland