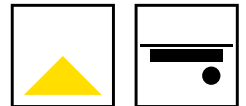




CAN

TRACK SPOTLIGHT



KEY FEATURES

- Track-mounted Ø90mm aluminium spotlight
- 350° of rotation with 90° tilt adjustability
- Superior high performance Xicato Artist LED engine
- Lens reflector optics with 10°, 20°, 35° and 50° beam angles
- High colour rendering index as standard (CRI90+)
- Colour temperatures of 2700K, 3000K and 4000K
- Fixed Output driver neatly integrated into spotlight head
- Black, White, Champagne and Silver finishes, with separate finish choice for reflector/baffle.



XICATO



**60 YEARS
IN LIGHT**

FOR MORE INFORMATION OR TO TALK ABOUT A PROJECT:

CALL: +44 (0) 1235 55 37 69
EMAIL: sales@optelma.co.uk

ISSUE DATE: 27/07/20

HEAD OFFICE
The Science Park
Abingdon
Oxfordshire
OX14 3YT

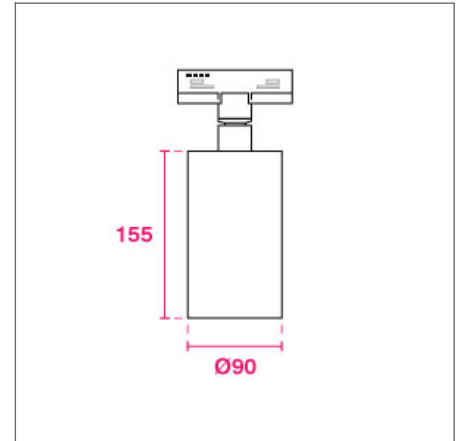
SHOWROOM
23 Bowling Green Lane
Clerkenwell
London
EC1R 0BD

FRANCE
28 Rue Charles
Baudelaire
75012 Paris
France

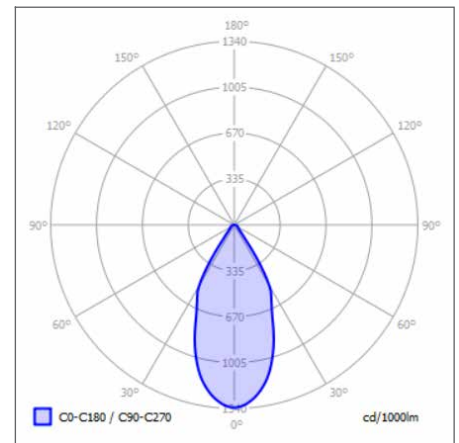
SWITZERLAND
St. Urbangasse 53
Postfach 1738
CH-4502 Solothurn
Switzerland

CAN TRACKSPOT SPECIFICATIONS

PRODUCT OPTIONS	
Dimensions:	Ø90 x 155mm (H)
Cut-out:	(N/A)
Weight:	< 1.5 kg
Lifetime:	50,000 hrs
Mounting type:	Track Mounted (1-Circuit, 3-Circuit / 3-Circuit DALI, sold separately)
Finish:	Matt Black, Matt White, Silver, Champagne
Emergency:	N/A
Operating voltage:	230V
IP Rating:	IP20
Light source:	Xicato Eco LED (Low or Medium Power)
Source Lumens:	1500 - 3000 lm
Delivered Lumens:	<i>Varies - see table below</i>
Power:	Low Power 20/21 W, Medium Power 31/33 W
Efficiency:	up to 93 lm/W
Driver:	Fixed Output
Colour temperature:	2700K, 3000K, 4000K
Beam Angle:	Tight Beam 10°, Standard 20°, Medium 35°, Wide Beam 50°
Diffuser:	Polycarbonate Optics
CRI:	CRI 90+ (CRI 97+ Xicato Artist LED)
Optional Extras:	Global or Eutrac track adaptors, Honeycomb Louver & more...



TRACKSPOT DIMENSIONS (MM)



POLAR CURVE Medium Beam 35° 4000K

CHOOSE A PROJECT SPECIFIC LIGHT OUTPUT

Light Source	Power	Delivered Lumens*
CAN Xicato Eco	Low Power 20 W	1850 lm
CAN Xicato Eco	Medium Power 31 W	2870 lm
CAN Xicato Artist CRI 97+	Low Power 21 W	1510 lm
CAN Xicato Artist CRI 97+	Medium Power 33 W	2220 lm

*Lumen outputs at 4000K, Standard Beam 20°, Colour temperature & beam choice will affect output.



60 YEARS
IN LIGHT

FOR MORE INFORMATION OR TO TALK ABOUT A PROJECT:

CALL: +44 (0) 1235 55 37 69

EMAIL: sales@optelma.co.uk

ISSUE DATE: 27/07/20

HEAD OFFICE

The Science Park
Abingdon
Oxfordshire
OX14 3YT

SHOWROOM

23 Bowling Green Lane
Clerkenwell
London
EC1R 0BD

FRANCE

28 Rue Charles
Baudelaire
75012 Paris
France

SWITZERLAND

St. Urbangasse 53
Postfach 1738
CH-4502 Solothurn
Switzerland

CAN TRACKSPOT COMPONENTS



BLACK BAFFLE
Reflector/Baffle in Matt Black finish, suitable for anti-glare.



GOLD BAFFLE
Reflector/Baffle in metallic gold finish.



WHITE BAFFLE
Reflector/Baffle in Matt White finish.



HONEYCOMB LOUVER
Black honeycomb louver anti-glare accessory.



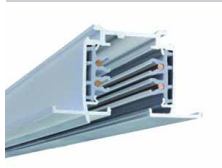
PRISMATIC LENSE
Prismatic lense anti-glare accessory.



3 CIRCUIT TRACK
230V 3-circuit track, sold separately..



3 CIRCUIT DALI TRACK
230V 3-circuit DALI track, sold separately.



RECESSED 3 CIRCUIT TRACK
230V 3-circuit track, sold separately..



RECESSED 3 CIRCUIT DALI TRACK
230V 3-circuit DALI track, sold separately.



EUTRAC TRACK ADAPTOR
Eutrac track adaptor for 230V Track.



GLOBAL TRACK ADAPTOR
Global track adaptor for 230V Track.



**60 YEARS
IN LIGHT**

**FOR MORE INFORMATION
OR TO TALK ABOUT A PROJECT:**

CALL: +44 (0) 1235 55 37 69
EMAIL: sales@optelma.co.uk

ISSUE DATE: 27/07/20

HEAD OFFICE
The Science Park
Abingdon
Oxfordshire
OX14 3YT

SHOWROOM
23 Bowling Green Lane
Clerkenwell
London
EC1R 0BD

FRANCE
28 Rue Charles
Baudelaire
75012 Paris
France

SWITZERLAND
St. Urbangasse 53
Postfach 1738
CH-4502 Solothurn
Switzerland

CAN TRACKSPOT SPECIFICATION CODE

AAAA - BB/C/D/E - F/GGG - HHH/I								
AAAA PRODUCT ID	BB MOUNTING	C FINISH	D DRIVER	E BEAM ANGLE	F DIRECT LED	GGG CRI/ COLOUR	HHH DIAMETER/ SIZE (mm)	I EMERGENCY
CANT	TM	B W S C	F X*	T S M W	L M X*	927 930 940	90	N/A

- * **X** Custom Options - specify details alongside code
- PRODUCT ID **CANT** CAN Trackspot
- MOUNTING **TM** Track Mounted (Powergear)
- FINISH **B** Matt Black housing, **W** Matt White housing, **S** Silver housing, **C** Champagne housing
- DRIVER **F** Fixed Output
- BEAM ANGLE **T** Tight Beam 10°, **S** Standard Beam 20°, **M** Medium Beam 35°, **W** Wide Beam 50°
- DIRECT LED **L** Low Power 20/21W LED, **M** Medium Power 31/33W LED, for Artist chip specify **ARTIST** after code
- CRI / COLOUR **927** CRI 90+ Colour 2700K, **930** CRI 90+ Colour 3000K, **940** CRI 90+ Colour 4000K
- DIAMETER / SIZE Luminaire diameter in millimetres
- EMERGENCY N/A

STANDARD

Standard fixed option products for quick and easy specification. Point source LED and Linear LED solutions, organised into Track & Spots, Downlights, Recessed, Surface, Suspended and Wall mounted solutions.

MADE-TO-MEASURE

Versatile systems and luminaires with custom specifications for project-specific lighting. Available in custom sizes and lengths, with many options including curves, corners, finishes, integrated accessories and more.

BESPOKE

Bespoke luminaires demonstrating completely custom project solutions, designed with the clients from concept to delivery. Learn about the design process and inspire your next bespoke lighting project.



60 YEARS
IN LIGHT

FOR MORE INFORMATION OR TO TALK ABOUT A PROJECT:

CALL: +44 (0) 1235 55 37 69
EMAIL: sales@optelma.co.uk

ISSUE DATE: 27/07/20

HEAD OFFICE
The Science Park
Abingdon
Oxfordshire
OX14 3YT

SHOWROOM
23 Bowling Green Lane
Clerkenwell
London
EC1R 0BD

FRANCE
28 Rue Charles
Baudelaire
75012 Paris
France

SWITZERLAND
St. Urbangasse 53
Postfach 1738
CH-4502 Solothurn
Switzerland