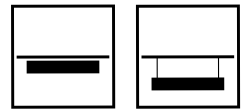




# 3 CIRCUIT TRACK

## 230V SURFACE TRACK SYSTEM



### KEY FEATURES

- Surface Mounted or Suspended 230V 3-Circuit Track
- Suitable for 3-phase track adaptors from all major brands
- Comprehensive range of accessories, corners and junctions
- Suitable for on-site cutting for versatility and easy installation
- Available in 1000mm, 2000mm or 3000mm pre-cut lengths
- Matt White, Matt Black and Matt Silver finishes
- Also available as a recessed track solution



**60 YEARS  
IN LIGHT**

#### FOR MORE INFORMATION OR TO TALK ABOUT A PROJECT:

CALL: +44 (0) 1235 55 37 69  
EMAIL: [sales@optelma.co.uk](mailto:sales@optelma.co.uk)

ISSUE DATE: 01/08/20

**HEAD OFFICE**  
The Science Park  
Abingdon  
Oxfordshire  
OX14 3YT

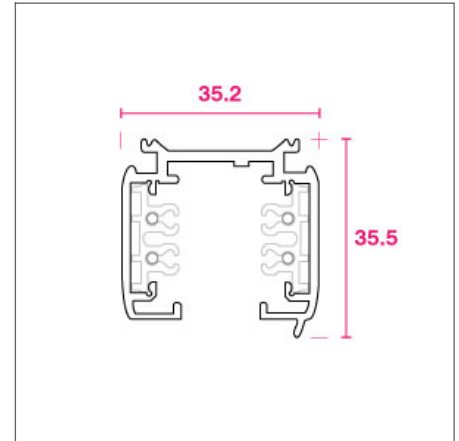
**SHOWROOM**  
23 Bowling Green Lane  
Clerkenwell  
London  
EC1R 0BD

**FRANCE**  
28 Rue Charles  
Baudelaire  
75012 Paris  
France

**SWITZERLAND**  
St. Urbangasse 53  
Postfach 1738  
CH-4502 Solothurn  
Switzerland

### 3 CIRCUIT TRACK SPECIFICATIONS

PRODUCT OPTIONS	
Dimensions:	35.2 (W) x 35.5 (H) x 1000/2000/3000mm (L)
Cut-out:	(N/A)
Weight:	< 1.0 kg/M
Lifetime:	50,000 hrs
Mounting type:	Surface Mounted, Suspended, Rod Suspension
Finish:	Matt Black, Matt White, Matt Silver
Emergency:	N/A
Operating voltage:	230V 3~Circuit
IP Rating:	IP20
Light source:	<i>Choose from our range of 230V Spots</i>
Source Lumens:	N/A
Delivered Lumens:	N/A
Power:	N/A
Efficiency:	N/A
Driver:	Fixed Output, 1-10V (DALI version available)
Colour temperature:	N/A
Beam Angle:	N/A
Diffuser:	N/A
CRI:	N/A
Optional Extras:	Accessories, corners and junctions in Black, White or Silver plastic



RECESSED MOUNTED PROFILE (MM)



SURFACE MOUNTED MONOPOINT

#### CHOOSE A PROJECT SPECIFIC LENGTH OR CUT ON-SITE

Product	Power	Dimensions (mm)*
3 Circuit Track 1M	230V DC (16A per circuit)	1000mm
3 Circuit Track 2M	230V DC (16A per circuit)	2000mm
3 Circuit Track 3M	230V DC (16A per circuit)	3000mm
Surface Monopoint	230V DC (10A)	Ø110mm x 35mm (H)



#### FOR MORE INFORMATION OR TO TALK ABOUT A PROJECT:

CALL: +44 (0) 1235 55 37 69  
EMAIL: sales@optelma.co.uk

ISSUE DATE: 01/08/20

**HEAD OFFICE**  
The Science Park  
Abingdon  
Oxfordshire  
OX14 3YT

**SHOWROOM**  
23 Bowling Green Lane  
Clerkenwell  
London  
EC1R 0BD

**FRANCE**  
28 Rue Charles  
Baudelaire  
75012 Paris  
France

**SWITZERLAND**  
St. Urbangasse 53  
Postfach 1738  
CH-4502 Solothurn  
Switzerland

**60 YEARS  
IN LIGHT**

### 3 CIRCUIT TRACK COMPONENTS



**230V SPOTS SOLD SEPARATELY**

See our 230V Track spot range online.



**STRAIGHT COUPLER**

Join sections of track.  
Specification Code:  
+SC



**LIVE END FEED**

Right-hand or Left-hand Live End Feeds.  
Specification Code:  
+RHF +LHF



**L-COUPLERS, T-COUPLERS & X-COUPLERS**

Specification Code:  
+LCX +TCX +XCX  
(X=quantity)



**END CAPS**

Live track ends must be closed off.  
Specification Code:  
+ECX (quantity)



**ROD SUSPENSION**

Wire as standard.  
Specification Code:  
Rod 600/1200mm.  
+Rod



**60 YEARS  
IN LIGHT**

**FOR MORE INFORMATION  
OR TO TALK ABOUT A PROJECT:**

CALL: +44 (0) 1235 55 37 69  
EMAIL: [sales@optelma.co.uk](mailto:sales@optelma.co.uk)

ISSUE DATE: 01/08/20

**HEAD OFFICE**  
The Science Park  
Abingdon  
Oxfordshire  
OX14 3YT

**SHOWROOM**  
23 Bowling Green Lane  
Clerkenwell  
London  
EC1R 0BD

**FRANCE**  
28 Rue Charles  
Baudelaire  
75012 Paris  
France

**SWITZERLAND**  
St. Urbangasse 53  
Postfach 1738  
CH-4502 Solothurn  
Switzerland

### 3 CIRCUIT TRACK SPECIFICATION CODE

AAAA - BB/C/D/E - F/GGG - HHH/I								
AAAA PRODUCT ID	BB MOUNTING	C FINISH	D DRIVER	E BEAM ANGLE	F DIRECT LED	GGG CRI/ COLOUR	HHH LENGTH/ SIZE (mm)	I EMERGENCY
3CTR 3CMP	SM SP	B W S	F 1	N/A	N/A	N/A	1000 2000 3000 XXXX* ENTER CUSTOM LENGTH	N/A

- X\* **X** Custom Options - specify details alongside code
- PRODUCT ID **3CTR** 3 Circuit Track, **3CMP** 3 Circuit Monopoint
- MOUNTING **SM** Surface Mounted, **SP** Suspended
- FINISH **B** Matt Black, **W** Matt White, **S** Matt Silver
- DRIVER **F** Fixed Output, **1** 1-10V dimmable
- BEAM ANGLE **N/A** Not applicable - specify trackspots separately
- DIRECT LED **N/A** Not applicable - specify trackspots separately
- CRI / COLOUR **N/A** Not applicable - specify trackspots separately
- LENGTH / SIZE **1000** Track Length 2000mm, **2000** Track Length 2000mm, **3000** Track Length 3000mm, **XXXX** Custom Length
- EMERGENCY **N/A** Not applicable

Specify accessories alongside code:

**+RHF** Right-hand Live Feed, **+LHF** Left-hand Live Feed, **+SC** Straight Coupler, **+LC** L-Coupler, **+TC** T-Coupler, **+XC** X-Coupler, **+Rod** Suspension Rod, **+EC2** End Caps x 2

#### STANDARD

Standard fixed option products for quick and easy specification. Point source LED and Linear LED solutions, organised into Track & Spots, Downlights, Recessed, Surface, Suspended and Wall mounted solutions.

#### MADE-TO-MEASURE

Versatile systems and luminaires with custom specifications for project-specific lighting. Available in custom sizes and lengths, with many options including curves, corners, finishes, integrated accessories and more.

#### BESPOKE

Bespoke luminaires demonstrating completely custom project solutions, designed with the clients from concept to delivery. Learn about the design process and inspire your next bespoke lighting project.



**60 YEARS  
IN LIGHT**

#### FOR MORE INFORMATION OR TO TALK ABOUT A PROJECT:

CALL: +44 (0) 1235 55 37 69  
EMAIL: sales@optelma.co.uk

ISSUE DATE: 01/08/20

**HEAD OFFICE**  
The Science Park  
Abingdon  
Oxfordshire  
OX14 3YT

**SHOWROOM**  
23 Bowling Green Lane  
Clerkenwell  
London  
EC1R 0BD

**FRANCE**  
28 Rue Charles  
Baudelaire  
75012 Paris  
France

**SWITZERLAND**  
St. Urbangasse 53  
Postfach 1738  
CH-4502 Solothurn  
Switzerland