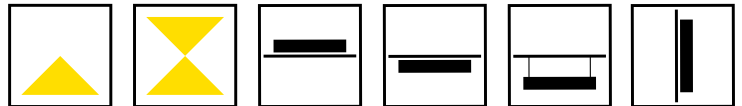




QUAD 55 + LINEAR SYSTEM



KEY FEATURES

- Recessed, Surface, Wall Mounted and Suspended linear lights
- Standard modular lengths with Fast-Track lead times
- Direct or Direct-Indirect lighting with a choice of Low/Medium/High Power, Satin Louver and Asymmetric Wallwash LED
- Compact fixed output drivers, or a range of dimming options including DALI, 1-10V, Switch-Dim or Casambi control
- Available on request - corner modules, 3-phase track, sensors, Integrated emergency conversions, IP54 rated and more
- White, Black, Silver, Graphite, Copper and Champagne finish



CASAMBI

**60 YEARS
IN LIGHT**

FOR MORE INFORMATION OR TO TALK ABOUT A PROJECT:

CALL: +44 (0) 1235 55 37 69
EMAIL: sales@optelma.co.uk

ISSUE DATE: 11/09/20

HEAD OFFICE
The Science Park
Abingdon
Oxfordshire
OX14 3YT

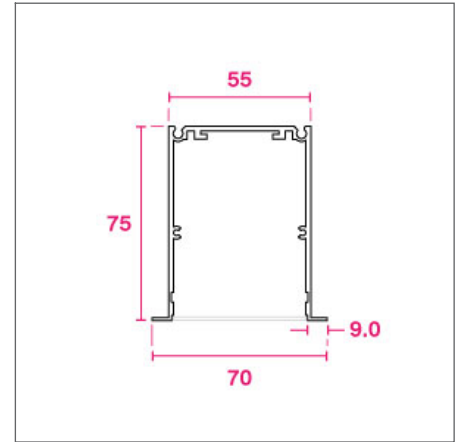
SHOWROOM
23 Bowling Green Lane
Clerkenwell
London
EC1R 0BD

PARIS OFFICE
28 Rue Charles
Baudelaire
75012 Paris
France

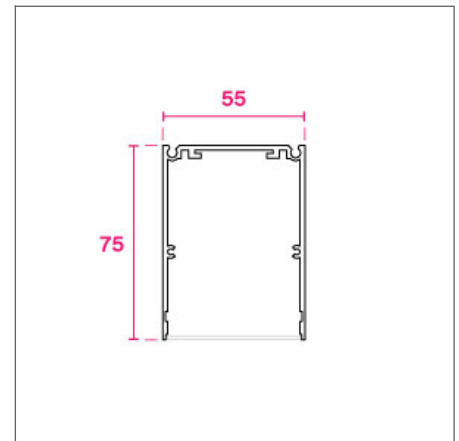
SWISS OFFICE
St. Urbangasse 53
Postfach 1738
CH-4502 Solothurn
Switzerland

QUAD 55 + SPECIFICATIONS

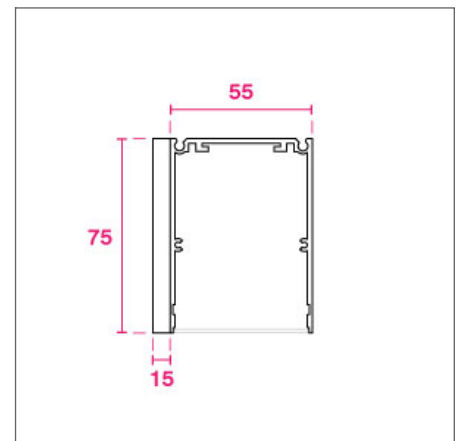
PRODUCT OPTIONS	
Dimensions (mm):	Direct Only: 55 (W) x 75 (H), Direct-Indirect: 55 (W) x 125 (H)
Cut-out (mm):	Direct Only: 60 (W) x 120 (H) including recessing bracket
Lifetime:	50,000 hrs
Mounting type:	Recessed, Surface, Suspended, Wall Mounted
Finish:	White, Black, Silver, Champagne Gold, Copper, Graphite
Emergency:	DALI or Standard emergency conversion
Operating voltage:	230V
IP Rating:	IP20 (IP54 Rated version on request)
Light source:	Low Power, Medium Power, High Power
Driver:	Fixed Output, 1-10V, DALI, Touch Dim, Casambi control
Colour temperature:	2200K, 2700K, 3000K, 3500K, 4000K, 6500K
Beam Angle:	(Direct only 100% or Direct-Indirect 50/50%)
Diffuser:	Opal, MPO, Asymmetric Wallwash (Satin Louver on request)
CRI:	CRI80, CRI90
Optional Extras:	Integrated Track, sensors, spotlights and 90° corners on request



CROSS-SECTION RECESSED DIRECT (MM)



CROSS-SECTION SURFACE DIRECT (MM)



CROSS-SECTION WALL DIRECT (MM)

CHOOSE A MODULAR LENGTH AND LIGHT SOURCE

Recessed Modules	Low Power Direct only*	Medium Power Direct only*	High Power Direct only*	Wall-wash High Direct only*
615	830lm/8W	1390lm/13W	2010lm/19W	1070lm/15W
905	1250lm/12W	2080lm/19W	3020lm/28W	1600lm/21W
1198	1660lm/15W	2770lm/24W	4030lm/36W	2140lm/27W
1490	2080lm/17W	3470lm/29W	5040lm/44W	2670lm/33W
1780	2490lm/20W	4160lm/34W	6040lm/52W	3210lm/39W
2075	2910lm/23W	4850lm/39W	7050lm/58W	3740lm/44W

Surface / Wall	Low Power Direct only*	Medium Power Direct only*	High Power Direct only*	Wall-wash High Direct only*
600	830lm/8W	1390lm/13W	2010lm/19W	1070lm/15W
890	1250lm/12W	2080lm/19W	3020lm/28W	1600lm/21W
1182	1660lm/15W	2770lm/24W	4030lm/36W	2140lm/27W
1475	2080lm/17W	3470lm/29W	5040lm/44W	2670lm/33W
1765	2490lm/20W	4160lm/34W	6040lm/52W	3210lm/39W
2055	2910lm/23W	4850lm/39W	7050lm/58W	3740lm/44W

*Luminaire luminous flux with Opal diffuser at 4000K. Wall-wash not available for wall mounted.



60 YEARS
IN LIGHT

FOR MORE INFORMATION OR TO TALK ABOUT A PROJECT:

CALL: +44 (0) 1235 55 37 69
EMAIL: sales@optelma.co.uk
ISSUE DATE: 11/09/20

HEAD OFFICE
The Science Park
Abingdon
Oxfordshire
OX14 3YT

SHOWROOM
23 Bowling Green Lane
Clerkenwell
London
EC1R 0BD

PARIS OFFICE
28 Rue Charles
Baudelaire
75012 Paris
France

SWISS OFFICE
St. Urbangasse 53
Postfach 1738
CH-4502 Solothurn
Switzerland

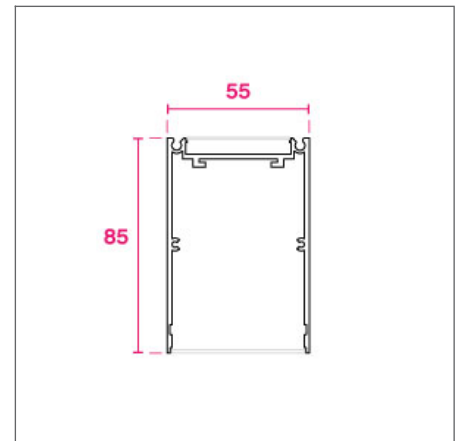
Suspended Modules	Low Power Direct only*	Medium Power Direct only*	High Power Direct only*	Wall-wash High Direct only*
-	-	-	-	-
890	1250lm/12W	2080lm/19W	3020lm/28W	1600lm/21W
1182	1660lm/15W	2770lm/24W	4030lm/36W	2140lm/27W
1475	2080lm/17W	3470lm/29W	5040lm/44W	2670lm/33W
1765	2490lm/20W	4160lm/34W	6040lm/52W	3210lm/39W
2055	2910lm/23W	4850lm/39W	7050lm/58W	3740lm/44W

Suspended Modules	Low Power Direct-Indirect*	Medium Power Direct-Indirect*	High Power Direct-Indirect*	Wall-wash High Direct-Indirect*
-	-	-	-	-
890	2600lm/19W	3980lm/33W	5620lm/47W	4200lm/37W
1182	3520lm/25W	5380lm/42W	7600lm/61W	5710lm/48W
1475	4440lm/30W	6790lm/52W	9590lm/75W	7220lm/61W
1765	5370lm/36W	8190lm/61W	11570lm/89W	8730lm/73W
2055	6290lm/42W	9590lm/69W	13550lm/100W	10240lm/86W

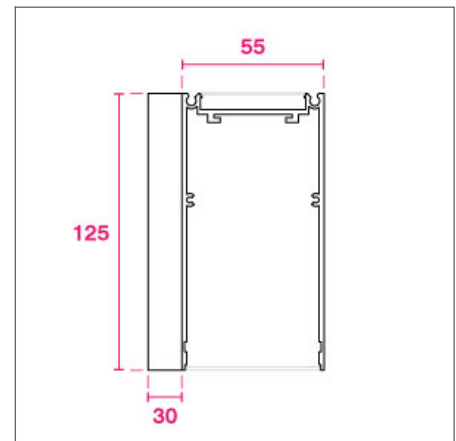
*Luminaire luminous flux with Opal diffuser at 4000K. Dir.100% or Dir-Ind.50/50%

Wall DIR-IND	Low Power Direct-Indirect*	Medium Power Direct-Indirect*	High Power Direct-Indirect*	Wall-wash High Direct-Indirect*
-	-	-	-	-
890	2440lm/19W	3750lm/33W	5310lm/47W	3900lm/37W
1182	3300lm/25W	5070lm/42W	7180lm/61W	5290lm/48W
1475	4160lm/30W	6390lm/52W	9050lm/75W	6680lm/61W
1765	5030lm/36W	7710lm/61W	10910lm/89W	8080lm/73W
2055	5890lm/42W	9030lm/69W	12780lm/100W	9470lm/86W

*Luminaire luminous flux with Opal diffuser at 4000K. Dir.45% Ind.55%

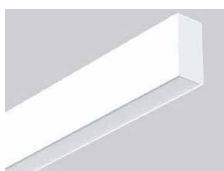


CROSS-SECTION DIRECT-INDIRECT (MM)

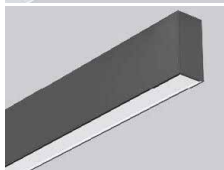


CROSS-SECTION WALL DIR-IND (MM)

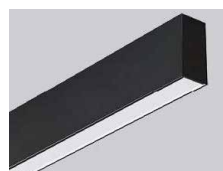
QUAD 55 + COMPONENTS



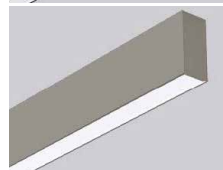
MATT WHITE
Powder-coated Matt White painted finish.



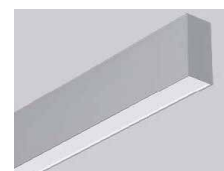
GRAPHITE
Powder-coated graphite finish.



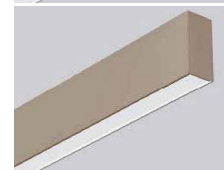
MATT BLACK
Powder-coated Matt Black painted finish.



CHAMPAGNE
Powder-coated champagne finish.



MATT SILVER
Powder-coated Matt Silver painted finish.



COPPER
Powder-coated copper finish.



**60 YEARS
IN LIGHT**

FOR MORE INFORMATION OR TO TALK ABOUT A PROJECT:

CALL: +44 (0) 1235 55 37 69
EMAIL: sales@optelma.co.uk

ISSUE DATE: 11/09/20

HEAD OFFICE
The Science Park
Abingdon
Oxfordshire
OX14 3YT

SHOWROOM
23 Bowling Green Lane
Clerkenwell
London
EC1R 0BD

PARIS OFFICE
28 Rue Charles
Baudelaire
75012 Paris
France

SWISS OFFICE
St. Urbangasse 53
Postfach 1738
CH-4502 Solothurn
Switzerland

QUAD 55 + SPECIFICATION CODE

AAAA - BB/C/D/E - F/GGG - HHHH/I										
AAAA PRODUCT ID	BB MOUNTING	C FINISH	D DRIVER	E DIFFUSER	F DIRECT LED	GGG CRI/ COLOUR	F INDIRECT LED	GGG CRI/ COLOUR	HHH LENGTH (mm)	I EMERGENCY
QU55	RE SM SP WM	B W S G C X*	F D 1 T C	O M W S	L M H	827 830 840 927 930 940	L M H	827 830 840 927 930 940	XXXX* LENGTH IN MM	E

MOUNTING 'RE' Recessed, 'SM' Surface Mounted, 'SP' Suspended Parallel, 'WM' Wall Mounted
FINISH 'B' Black, 'W' White, 'S' Silver, 'G' Champagne Gold, 'C' Copper
DRIVER 'F' Fixed Output, 'D' DALI, '1' 1-10V, 'T' Touch Dim, 'C' Casambi control
DIFFUSER 'O' Opal, 'M' MPO, 'W' Asymmetric Wallwasher, 'S' Satin Louver
DIRECT LED 'L' Low power, 'M' Medium power, 'H' High power
CRI / COLOUR '827' CRI 80+ Colour 2700K, '830' CRI 80+ Colour 3000K, '840' CRI 80+ Colour 4000K, '927' CRI 90+ Colour 2700K, '930' CRI 90+ Colour 3000K, '940' CRI 90+ Colour 4000K
INDIRECT LED 'L' Low power, 'M' Medium power, 'H' High power (LEAVE SECTION BLANK IF DIRECT ONLY)
CRI / COLOUR '827' CRI 80+ Colour 2700K, '830' CRI 80+ Colour 3000K, '840' CRI 80+ Colour 4000K, '927' CRI 90+ Colour 2700K, '930' CRI 90+ Colour 3000K, '940' CRI 90+ Colour 4000K
LENGTH Modular lengths in millimetres
EMERGENCY 'E' Integrated Emergency - specify details alongside code

+ 'IP54' Ingress Protection - specify alongside code

STANDARD

Standard fixed option products for quick and easy specification. Point source LED and Linear LED solutions, organised into Track & Spots, Downlights, Recessed, Surface, Suspended and Wall mounted solutions.

MADE-TO-MEASURE

Versatile systems and luminaires with custom specifications for project-specific lighting. Available in custom sizes and lengths, with many options including curves, corners, finishes, integrated accessories and more.

BESPOKE

Bespoke luminaires demonstrating completely custom project solutions, designed with the clients from concept to delivery. Learn about the design process and inspire your next bespoke lighting project.



**60 YEARS
IN LIGHT**

FOR MORE INFORMATION OR TO TALK ABOUT A PROJECT:

CALL: +44 (0) 1235 55 37 69
EMAIL: sales@optelma.co.uk

ISSUE DATE: 11/09/20

HEAD OFFICE
The Science Park
Abingdon
Oxfordshire
OX14 3YT

SHOWROOM
23 Bowling Green Lane
Clerkenwell
London
EC1R 0BD

PARIS OFFICE
28 Rue Charles
Baudelaire
75012 Paris
France

SWISS OFFICE
St. Urbangasse 53
Postfach 1738
CH-4502 Solothurn
Switzerland