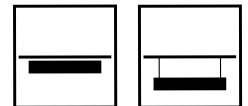




3 CIRCUIT DALI TRACK

230V RECESSED TRACK SYSTEM



KEY FEATURES

- Recessed 230V 3-Circuit DALI Track
- Suitable for 3-phase track adaptors from all major brands
- Comprehensive range of accessories, corners and junctions
- Suitable for on-site cutting for versatility and easy installation
- Available in 1000mm, 2000mm or 3000mm pre-cut lengths
- Matt White, Matt Black and Matt Silver finishes
- Also available as a surface mounted or suspended solution



**60 YEARS
IN LIGHT**

FOR MORE INFORMATION OR TO TALK ABOUT A PROJECT:

CALL: +44 (0) 1235 55 37 69
EMAIL: sales@optelma.co.uk

ISSUE DATE: 01/08/20

HEAD OFFICE
The Science Park
Abingdon
Oxfordshire
OX14 3YT

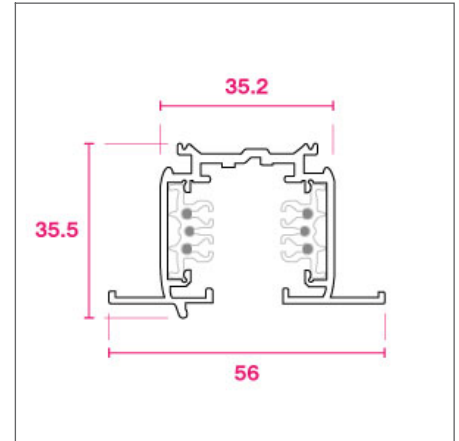
SHOWROOM
23 Bowling Green Lane
Clerkenwell
London
EC1R 0BD

FRANCE
28 Rue Charles
Baudelaire
75012 Paris
France

SWITZERLAND
St. Urbangasse 53
Postfach 1738
CH-4502 Solothurn
Switzerland

3 CIRCUIT RECESSED DALI TRACK SPECIFICATIONS

PRODUCT OPTIONS	
Dimensions:	56 (W) x 35.5 (H) x 1000/2000/3000mm (L)
Cut-out:	35.2 (W) x 35.5 (H) x 1000/2000/3000mm (L)
Weight:	< 1.0 kg/M
Lifetime:	50,000 hrs
Mounting type:	Recessed with Trim
Finish:	Matt Black, Matt White, Matt Silver
Emergency:	N/A
Operating voltage:	230V 3~Circuit DALI
IP Rating:	IP20
Light source:	Choose from our range of 230V Spots
Source Lumens:	N/A
Delivered Lumens:	N/A
Power:	N/A
Efficiency:	N/A
Driver:	DALI
Colour temperature:	N/A
Beam Angle:	N/A
Diffuser:	N/A
CRI:	N/A
Optional Extras:	Accessories, corners and junctions in Black, White or Silver plastic



RECESSED MOUNTED PROFILE (MM)



CAN BE MOUNTED INTO LINEAR SYSTEMS

CHOOSE A PROJECT SPECIFIC LENGTH OR CUT ON-SITE

Product	Power	Dimensions (mm)*
3 Circuit DALI Track 1M	230V DC (16A per circuit)	1000mm
3 Circuit DALI Track 2M	230V DC (16A per circuit)	2000mm
3 Circuit DALI Track 3M	230V DC (16A per circuit)	3000mm



**60 YEARS
IN LIGHT**

FOR MORE INFORMATION OR TO TALK ABOUT A PROJECT:

CALL: +44 (0) 1235 55 37 69
EMAIL: sales@optelma.co.uk

ISSUE DATE: 01/08/20

HEAD OFFICE
The Science Park
Abingdon
Oxfordshire
OX14 3YT

SHOWROOM
23 Bowling Green Lane
Clerkenwell
London
EC1R 0BD

FRANCE
28 Rue Charles
Baudelaire
75012 Paris
France

SWITZERLAND
St. Urbangasse 53
Postfach 1738
CH-4502 Solothurn
Switzerland

3 CIRCUIT RECESSED DALI TRACK COMPONENTS



230V SPOTS SOLD SEPARATELY

See our 230V Track spot range online.



STRAIGHT COUPLER

Join sections of track.
Specification Code:
+SC



LIVE END FEED

Right-hand or Left-hand Live End Feeds.
Specification Code:
+RHF +LHF



**L-COUPERS,
T-COUPERS &
X-COUPERS**

Specification Code:
+LCX +TCX +XCX
(X=quantity)



END CAPS

Live track ends must be closed off.
Specification Code:
+ECX (quantity)



**FOR MORE INFORMATION
OR TO TALK ABOUT A PROJECT:**

CALL: +44 (0) 1235 55 37 69
EMAIL: sales@optelma.co.uk

ISSUE DATE: 01/08/20

HEAD OFFICE
The Science Park
Abingdon
Oxfordshire
OX14 3YT

SHOWROOM
23 Bowling Green Lane
Clerkenwell
London
EC1R 0BD

FRANCE
28 Rue Charles
Baudelaire
75012 Paris
France

SWITZERLAND
St. Urbangasse 53
Postfach 1738
CH-4502 Solothurn
Switzerland

3 CIRCUIT RECESSED DALI TRACK SPECIFICATION CODE

AAAA - BB/C/D/E - F/GGG - HHH/I								
AAAA PRODUCT ID	BB MOUNTING	C FINISH	D DRIVER	E BEAM ANGLE	F DIRECT LED	GGG CRI/ COLOUR	HHH LENGTH/ SIZE (mm)	I EMERGENCY
3CTR	RE	B W S	D	N/A	N/A	N/A	1000 2000 3000 XXXX* ENTER CUSTOM LENGTH	N/A

- X* PRODUCT ID **X** Custom Options - specify details alongside code
- MOUNTING **3CTR** 3 Circuit Track
- FINISH **RE** Recessed with Trim
- DRIVER **B** Matt Black, **W** Matt White, **S** Matt Silver
- BEAM ANGLE **D** DALI dimmable
- DIRECT LED **N/A** Not applicable - specify trackspots separately
- CRI / COLOUR **N/A** Not applicable - specify trackspots separately
- LENGTH / SIZE **N/A** Not applicable - specify trackspots separately
- EMERGENCY **N/A** Not applicable

Specify accessories alongside code:

- +RHF** Right-hand Live Feed, **+LHF** Left-hand Live Feed, **+SC** Straight Coupler, **+LC** L-Coupler, **+TC** T-Coupler, **+XC** X-Coupler, **+EC2** End Caps x 2

STANDARD

Standard fixed option products for quick and easy specification. Point source LED and Linear LED solutions, organised into Track & Spots, Downlights, Recessed, Surface, Suspended and Wall mounted solutions.

MADE-TO-MEASURE

Versatile systems and luminaires with custom specifications for project-specific lighting. Available in custom sizes and lengths, with many options including curves, corners, finishes, integrated accessories and more.

BESPOKE

Bespoke luminaires demonstrating completely custom project solutions, designed with the clients from concept to delivery. Learn about the design process and inspire your next bespoke lighting project.



**60 YEARS
IN LIGHT**

FOR MORE INFORMATION OR TO TALK ABOUT A PROJECT:

CALL: +44 (0) 1235 55 37 69
EMAIL: sales@optelma.co.uk

ISSUE DATE: 01/08/20

HEAD OFFICE
The Science Park
Abingdon
Oxfordshire
OX14 3YT

SHOWROOM
23 Bowling Green Lane
Clerkenwell
London
EC1R 0BD

FRANCE
28 Rue Charles
Baudelaire
75012 Paris
France

SWITZERLAND
St. Urbangasse 53
Postfach 1738
CH-4502 Solothurn
Switzerland