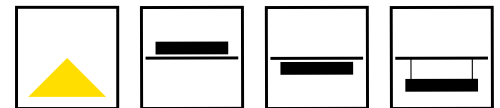




# QUAD 81

## LINEAR SYSTEM



### KEY FEATURES

- Recessed, Surface Mounted and Suspended linear lights
- Standard modular lengths with Fast-Track lead times
- Direct lighting with a choice of Low/Medium/High Power, Satin Louver and Asymmetric Wallwash LED
- Compact fixed output drivers, or a range of dimming options including DALI, 1-10V, Switch-Dim or Casambi control
- Available on request - corner modules, sensors, Integrated emergency conversions, IP54 rated and more
- White, Black, Silver, Graphite, Copper and Champagne finish



**CASAMBI**

**60 YEARS  
IN LIGHT**

#### FOR MORE INFORMATION OR TO TALK ABOUT A PROJECT:

CALL: +44 (0) 1235 55 37 69  
EMAIL: [sales@optelma.co.uk](mailto:sales@optelma.co.uk)

ISSUE DATE: 11/09/20

**HEAD OFFICE**  
The Science Park  
Abingdon  
Oxfordshire  
OX14 3YT

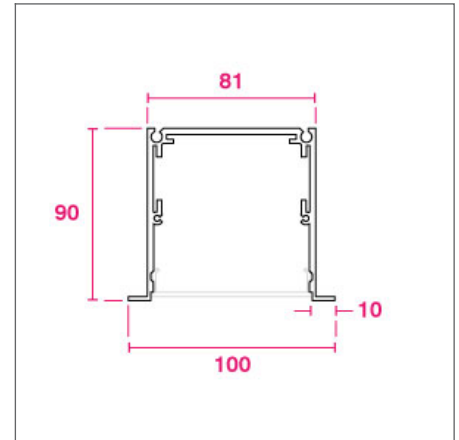
**SHOWROOM**  
23 Bowling Green Lane  
Clerkenwell  
London  
EC1R 0BD

**PARIS OFFICE**  
28 Rue Charles  
Baudelaire  
75012 Paris  
France

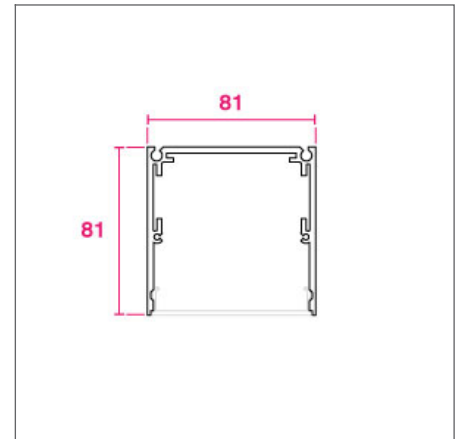
**SWISS OFFICE**  
St. Urbangasse 53  
Postfach 1738  
CH-4502 Solothurn  
Switzerland

## QUAD 81 SPECIFICATIONS

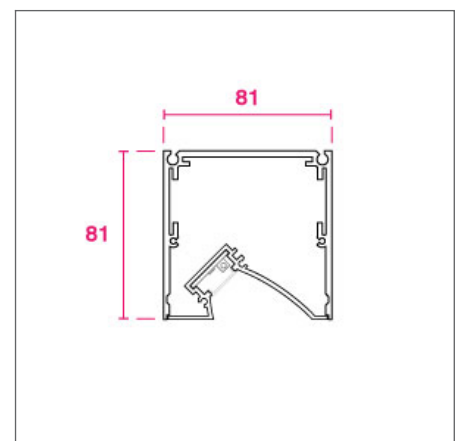
PRODUCT OPTIONS	
Dimensions (mm):	Recessed: 100 (W) x 90 (H), Surface/Suspended: 81 (W) x 81 (H)
Cut-out (mm):	87 (W) x 140 (H) including recessing bracket
Lifetime:	50,000 hrs
Mounting type:	Recessed, Surface, Suspended
Finish:	White, Black, Silver, Champagne Gold, Copper, Graphite
Emergency:	DALI or Standard emergency conversion
Operating voltage:	230V
IP Rating:	IP20 (IP54 Rated version on request)
Light source:	Low Power, Medium Power, High Power
Driver:	Fixed Output, 1-10V, DALI, Touch Dim, Casambi control
Colour temperature:	2200K, 2700K, 3000K, 3500K, 4000K, 6500K
Beam Angle:	(Direct only 100%)
Diffuser:	Opal, MPO, Asymmetric Wallwash (Satin Louver on request)
CRI:	CRI80, CRI90
Optional Extras:	Integrated sensors, spotlights and 90° corners on request



CROSS-SECTION RECESSED DIRECT (MM)



CROSS-SECTION SURFACE DIRECT (MM)



CROSS-SECTION ASYMMETRIC DIRECT (MM)

### CHOOSE A MODULAR LENGTH AND LIGHT SOURCE

Recessed Modules	Low Power Direct only*	Medium Power Direct only*	High Power Direct only*	Wall-wash High Direct only*
615	1130lm/10W	1720lm/14W	2280lm/19W	1220lm/15W
905	1690lm/14W	2570lm/21W	3420lm/29W	1840lm/21W
1198	2260lm/18W	3430lm/27W	4560lm/38W	2450lm/27W
1490	2820lm/22W	4290lm/33W	5700lm/46W	3060lm/33W
1780	3390lm/25W	5150lm/39W	6840lm/54W	3670lm/39W
2075	3950lm/29W	6010lm/45W	7980lm/61W	4280lm/44W

Surface Modules	Low Power Direct only*	Medium Power Direct only*	High Power Direct only*	Wall-wash High Direct only*
-	-	-	-	-
890	1690lm/14W	2570lm/21W	3420lm/29W	1840lm/21W
1182	2260lm/18W	3430lm/27W	4560lm/38W	2450lm/27W
1475	2820lm/22W	4290lm/33W	5700lm/46W	3060lm/33W
1765	3390lm/25W	5150lm/39W	6840lm/54W	3670lm/39W
2055	3950lm/29W	6010lm/45W	7980lm/61W	4280lm/44W

\*Luminaire luminous flux with Opal diffuser at 4000K.



**60 YEARS  
IN LIGHT**

#### FOR MORE INFORMATION OR TO TALK ABOUT A PROJECT:

CALL: +44 (0) 1235 55 37 69  
EMAIL: sales@optelma.co.uk

ISSUE DATE: 11/09/20

**HEAD OFFICE**  
The Science Park  
Abingdon  
Oxfordshire  
OX14 3YT

**SHOWROOM**  
23 Bowling Green Lane  
Clerkenwell  
London  
EC1R 0BD

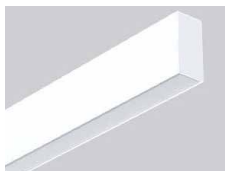
**PARIS OFFICE**  
28 Rue Charles  
Baudelaire  
75012 Paris  
France

**SWISS OFFICE**  
St. Urbangasse 53  
Postfach 1738  
CH-4502 Solothurn  
Switzerland

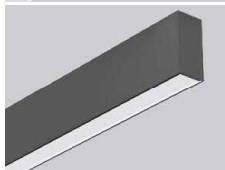
Suspended Modules	Low Power Direct only*	Medium Power Direct only*	High Power Direct only*	Wall-wash High Direct only*
-	-	-	-	-
890	1690lm/14W	2570lm/21W	3420lm/29W	1840lm/21W
1182	2260lm/18W	3430lm/27W	4560lm/38W	2450lm/27W
1475	2820lm/22W	4290lm/33W	5700lm/46W	3060lm/33W
1765	3390lm/25W	5150lm/39W	6840lm/54W	3670lm/39W
2055	3950lm/29W	6010lm/45W	7980lm/61W	4280lm/44W

\*Luminaire luminous flux with Opal diffuser at 4000K.

## QUAD 81 COMPONENTS



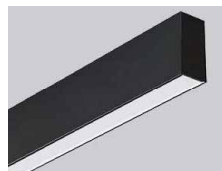
**MATT WHITE**  
Powder-coated Matt White painted finish.



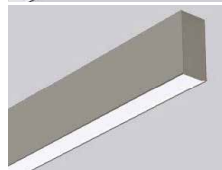
**GRAPHITE**  
Powder-coated graphite finish.



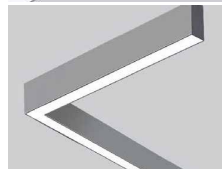
**SATIN LOUVER**  
Anti-glare Satin Louver on request.



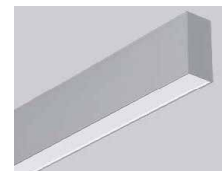
**MATT BLACK**  
Powder-coated Matt Black painted finish.



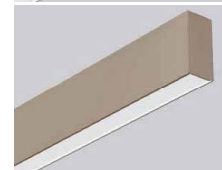
**CHAMPAGNE**  
Powder-coated champagne finish.



**90° CORNER**  
Opal or MPO mitred corner modules.



**MATT SILVER**  
Powder-coated Matt Silver painted finish.



**COPPER**  
Powder-coated copper finish.



**MIDPIN SPOTLIGHT**  
770lm/11W 37mmØ



**60 YEARS  
IN LIGHT**

**FOR MORE INFORMATION  
OR TO TALK ABOUT A PROJECT:**

CALL: +44 (0) 1235 55 37 69  
EMAIL: [sales@optelma.co.uk](mailto:sales@optelma.co.uk)

ISSUE DATE: 11/09/20

**HEAD OFFICE**  
The Science Park  
Abingdon  
Oxfordshire  
OX14 3YT

**SHOWROOM**  
23 Bowling Green Lane  
Clerkenwell  
London  
EC1R 0BD

**PARIS OFFICE**  
28 Rue Charles  
Baudelaire  
75012 Paris  
France

**SWISS OFFICE**  
St. Urbangasse 53  
Postfach 1738  
CH-4502 Solothurn  
Switzerland

## QUAD 81 SPECIFICATION CODE

AAAA - BB/C/D/E - F/GGG - HHHH/I								
AAAA PRODUCT ID	BB MOUNTING	C FINISH	D DRIVER	E DIFFUSER	F DIRECT LED	GGG CRI/ COLOUR	HHH LENGTH (mm)	I EMERGENCY
QU81	RE SM SP	B W S G C X*	F D 1 T C	O M W S	L M H	827 830 840 927 930 940	XXXX* LENGTH IN MM	E

**MOUNTING** **RE** Recessed, **SM** Surface Mounted, **SP** Suspended Parallel  
**FINISH** **B** Black, **W** White, **S** Silver, **G** Champagne Gold, **C** Copper  
**DRIVER** **F** Fixed Output, **D** DALI, **1** 1-10V, **T** Touch Dim, **C** Casambi control  
**DIFFUSER** **O** Opal, **M** MPO, **W** Asymmetric Wallwasher, **S** Satin Louver  
**DIRECT LED** **L** Low power, **M** Medium power, **H** High power  
**CRI / COLOUR** **827** CRI 80+ Colour 2700K, **830** CRI 80+ Colour 3000K, **840** CRI 80+ Colour 4000K,  
**927** CRI 90+ Colour 2700K, **930** CRI 90+ Colour 3000K, **940** CRI 90+ Colour 4000K  
**LENGTH** Modular lengths in millimetres  
**EMERGENCY** **E** Integrated Emergency - specify details alongside code

+ **IP54** Ingress Protection - specify alongside code

### STANDARD

Standard fixed option products for quick and easy specification. Point source LED and Linear LED solutions, organised into Track & Spots, Downlights, Recessed, Surface, Suspended and Wall mounted solutions.

### MADE-TO-MEASURE

Versatile systems and luminaires with custom specifications for project-specific lighting. Available in custom sizes and lengths, with many options including curves, corners, finishes, integrated accessories and more.

### BESPOKE

Bespoke luminaires demonstrating completely custom project solutions, designed with the clients from concept to delivery. Learn about the design process and inspire your next bespoke lighting project.



**60 YEARS  
IN LIGHT**

#### FOR MORE INFORMATION OR TO TALK ABOUT A PROJECT:

CALL: +44 (0) 1235 55 37 69  
 EMAIL: sales@optelma.co.uk

ISSUE DATE: 11/09/20

**HEAD OFFICE**  
 The Science Park  
 Abingdon  
 Oxfordshire  
 OX14 3YT

**SHOWROOM**  
 23 Bowling Green Lane  
 Clerkenwell  
 London  
 EC1R 0BD

**PARIS OFFICE**  
 28 Rue Charles  
 Baudelaire  
 75012 Paris  
 France

**SWISS OFFICE**  
 St. Urbangasse 53  
 Postfach 1738  
 CH-4502 Solothurn  
 Switzerland