

QUAD 81 FLAT + LINEAR SYSTEM



KEY FEATURES

- Surface / Wall Mounted and Suspended linear lights
- Standard modular lengths with Fast-Track lead times
- Direct or Direct-Indirect lighting with a choice of Low/Medium/High Power Opal or Microprismatic Optic (MPO) LED
- Compact fixed output drivers, or a range of dimming options including DALI, 1-10V and Switch-Dim control
- Available on request - corner modules, sensors, Integrated emergency conversions, IP54 rated and more
- White, Black, Silver, Graphite, Copper and Champagne finish



**60 YEARS
IN LIGHT**

FOR MORE INFORMATION OR TO TALK ABOUT A PROJECT:

CALL: +44 (0) 1235 55 37 69
EMAIL: sales@optelma.co.uk

ISSUE DATE: 11/09/20

HEAD OFFICE
The Science Park
Abingdon
Oxfordshire
OX14 3YT

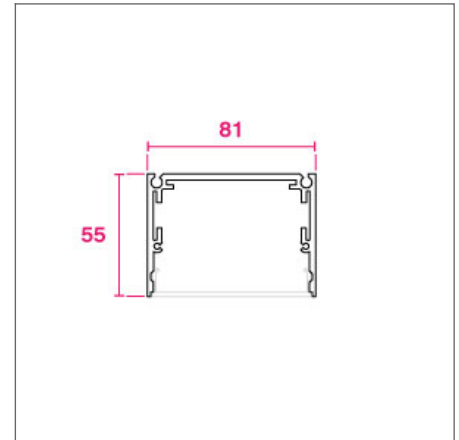
SHOWROOM
23 Bowling Green Lane
Clerkenwell
London
EC1R 0BD

PARIS OFFICE
28 Rue Charles
Baudelaire
75012 Paris
France

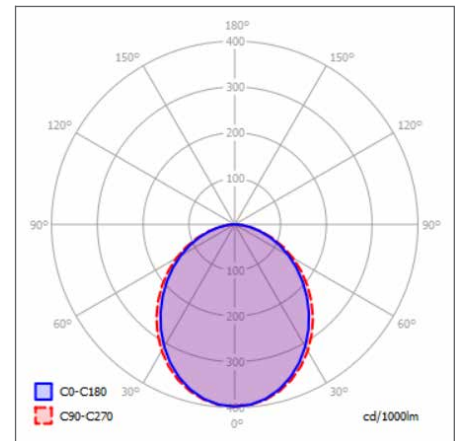
SWISS OFFICE
St. Urbangasse 53
Postfach 1738
CH-4502 Solothurn
Switzerland

QUAD 81 FLAT + SPECIFICATIONS

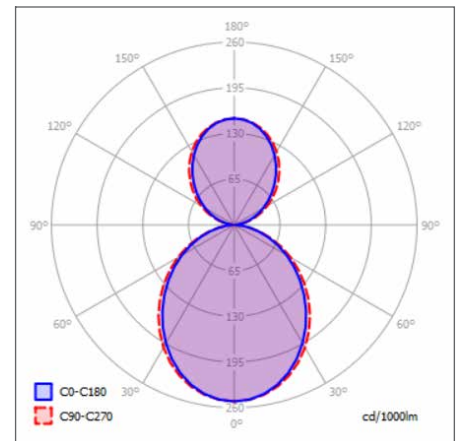
PRODUCT OPTIONS	
Dimensions (mm):	81 (W) x 55 (H)
Cut-out (mm):	N/A
Lifetime:	50,000 hrs
Mounting type:	Surface, Suspended, Wall Mounted
Finish:	White, Black, Silver, Champagne Gold, Copper, Graphite
Emergency:	DALI or Standard emergency conversion
Operating voltage:	230V
IP Rating:	IP20 (IP54 Rated version on request)
Light source:	Low Power, Medium Power, High Power
Driver:	Fixed Output, 1-10V, DALI, Touch Dim
Colour temperature:	2200K, 2700K, 3000K, 3500K, 4000K, 6500K
Beam Angle:	(Direct only 100% or Direct-Indirect 60/40%)
Diffuser:	Opal, MPO
CRI:	CRI80, CRI90
Optional Extras:	Integrated sensors, spotlights and 90° corners on request



CROSS-SECTION DIRECT (MM)



POLAR CURVE DIRECT ONLY 4000K



POLAR CURVE DIRECT-INDIRECT 4000K

CHOOSE A MODULAR LENGTH AND LIGHT SOURCE

Surface Modules	Low Power Direct only*	Medium Power Direct only*	High Power Direct only*
600	1190lm/10W	1830lm/14W	2440lm/19W
890	1790lm/14W	2740lm/21W	3660lm/29W
1182	2390lm/18W	3560lm/27W	4890lm/37W
1475	2990lm/22W	4570lm/33W	6110lm/45W
1765	3580lm/25W	5480lm/38W	7330lm/53W
2055	4180lm/28W	6390lm/44W	8550lm/60W

Suspended Modules	Low Power Direct only*	Medium Power Direct only*	High Power Direct only*
-	-	-	-
890	1790lm/14W	2740lm/21W	3660lm/29W
1182	2390lm/18W	3560lm/27W	4890lm/37W
1475	2990lm/22W	4570lm/33W	6110lm/45W
1765	3580lm/25W	5480lm/38W	7330lm/53W
2055	4180lm/28W	6390lm/44W	8550lm/60W

*Luminaire luminous flux with Opal diffuser at 4000K.



**60 YEARS
IN LIGHT**

FOR MORE INFORMATION OR TO TALK ABOUT A PROJECT:

CALL: +44 (0) 1235 55 37 69
EMAIL: sales@optelma.co.uk
ISSUE DATE: 11/09/20

HEAD OFFICE
The Science Park
Abingdon
Oxfordshire
OX14 3YT

SHOWROOM
23 Bowling Green Lane
Clerkenwell
London
EC1R 0BD

PARIS OFFICE
28 Rue Charles
Baudelaire
75012 Paris
France

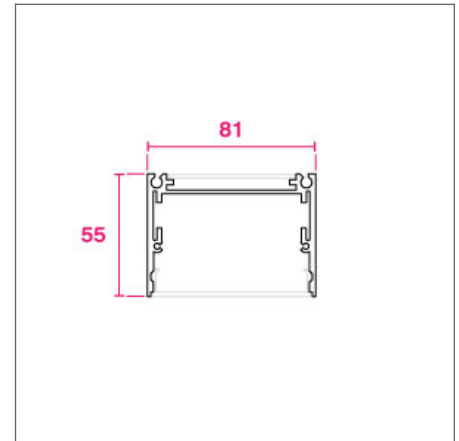
SWISS OFFICE
St. Urbangasse 53
Postfach 1738
CH-4502 Solothurn
Switzerland

Suspended Modules	Low Power Direct-Indirect*	Medium Power Direct-Indirect*	High Power Direct-Indirect*
890	2840lm/25W	4210lm/35W	5680lm/48W
1182	3830lm/32W	5670lm/45W	7650lm/62W
1475	4820lm/38W	7140lm/56W	9630lm/76W
1765	5810lm/44W	8600lm/65W	11610lm/90W
2055	6800lm/50W	10060lm/74W	13580lm/102W

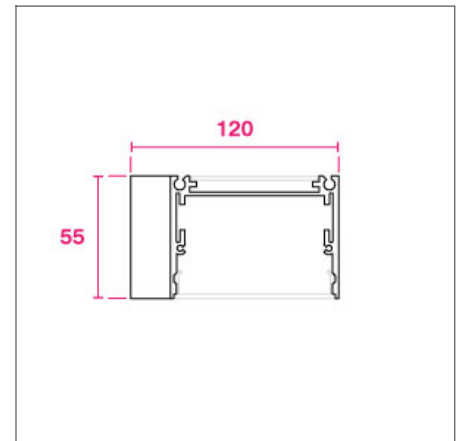
*Luminaire luminous flux with Opal diffuser at 4000K. Dir.100% or Dir-Ind.60/40%

Wall Mounted Modules	Medium Power Direct-Indirect*	High Power Direct-Indirect*
890	4210lm/35W	5680lm/48W
1182	5670lm/45W	7650lm/62W
1475	7140lm/56W	9630lm/76W

*Luminaire luminous flux with Opal diffuser at 4000K. Dir-Ind.60/40%

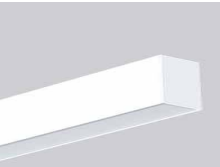

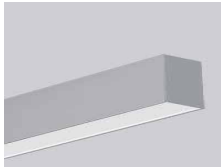
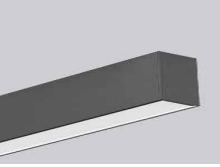
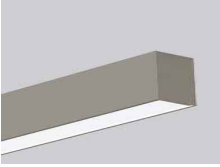






CROSS-SECTION DIRECT-INDIRECT (MM)



CROSS-SECTION WALL MOUNTED (MM)

QUAD 81 FLAT + COMPONENTS

	MATT WHITE Powder-coated Matt White painted finish.		MATT BLACK Powder-coated Matt Black painted finish.		MATT SILVER Powder-coated Matt Silver painted finish.
	GRAPHITE Powder-coated graphite finish.		CHAMPAGNE Powder-coated champagne finish.		COPPER Powder-coated copper finish.
	MULTI SENSOR Integrated compact daylight and presence detector.		90° CORNER Opal or MPO mitred corner modules.		MIDPIN SPOTLIGHT 770lm/11W 37mmØ



60 YEARS
IN LIGHT

FOR MORE INFORMATION OR TO TALK ABOUT A PROJECT:

CALL: +44 (0) 1235 55 37 69
EMAIL: sales@optelma.co.uk

ISSUE DATE: 11/09/20

HEAD OFFICE
The Science Park
Abingdon
Oxfordshire
OX14 3YT

SHOWROOM
23 Bowling Green Lane
Clerkenwell
London
EC1R 0BD

PARIS OFFICE
28 Rue Charles
Baudelaire
75012 Paris
France

SWISS OFFICE
St. Urbangasse 53
Postfach 1738
CH-4502 Solothurn
Switzerland

QUAD 81 FLAT + SPECIFICATION CODE

AAAA - BB/C/D/E - F/GGG - HHHH/I										
AAAA PRODUCT ID	BB MOUNTING	C FINISH	D DRIVER	E DIFFUSER	F DIRECT LED	GGG CRI/ COLOUR	F INDIRECT LED	GGG CRI/ COLOUR	HHH LENGTH (mm)	I EMERGENCY
QF81	SM SP WM	B W S G C X*	F D 1 T	O M	L M H	827 830 840 927 930 940	L M H	827 830 840 927 930 940	XXXX* LENGTH IN MM	E

- MOUNTING **'SM'** Surface Mounted, **'SP'** Suspended Parallel, **'WM'** Wall Mounted
- FINISH **'B'** Black, **'W'** White, **'S'** Silver, **'G'** Champagne Gold, **'C'** Copper
- DRIVER **'F'** Fixed Output, **'D'** DALI, **'1'** 1-10V, **'T'** Touch Dim
- DIFFUSER **'O'** Opal, **'M'** MPO
- DIRECT LED **'L'** Low power, **'M'** Medium power, **'H'** High power
- CRI / COLOUR **'827'** CRI 80+ Colour 2700K, **'830'** CRI 80+ Colour 3000K, **'840'** CRI 80+ Colour 4000K,
'927' CRI 90+ Colour 2700K, **'930'** CRI 90+ Colour 3000K, **'940'** CRI 90+ Colour 4000K
- INDIRECT LED **'L'** Low power, **'M'** Medium power, **'H'** High power (LEAVE SECTION BLANK IF DIRECT ONLY)
- CRI / COLOUR **'827'** CRI 80+ Colour 2700K, **'830'** CRI 80+ Colour 3000K, **'840'** CRI 80+ Colour 4000K,
'927' CRI 90+ Colour 2700K, **'930'** CRI 90+ Colour 3000K, **'940'** CRI 90+ Colour 4000K
- LENGTH Modular lengths in millimetres
- EMERGENCY **'E'** Integrated Emergency - specify details alongside code

+ **'IP54'** Ingress Protection - specify alongside code

STANDARD

Standard fixed option products for quick and easy specification. Point source LED and Linear LED solutions, organised into Track & Spots, Downlights, Recessed, Surface, Suspended and Wall mounted solutions.

MADE-TO-MEASURE

Versatile systems and luminaires with custom specifications for project-specific lighting. Available in custom sizes and lengths, with many options including curves, corners, finishes, integrated accessories and more.

BESPOKE

Bespoke luminaires demonstrating completely custom project solutions, designed with the clients from concept to delivery. Learn about the design process and inspire your next bespoke lighting project.



**60 YEARS
IN LIGHT**

FOR MORE INFORMATION OR TO TALK ABOUT A PROJECT:

CALL: +44 (0) 1235 55 37 69
EMAIL: sales@optelma.co.uk

ISSUE DATE: 11/09/20

HEAD OFFICE
The Science Park
Abingdon
Oxfordshire
OX14 3YT

SHOWROOM
23 Bowling Green Lane
Clerkenwell
London
EC1R 0BD

PARIS OFFICE
28 Rue Charles
Baudelaire
75012 Paris
France

SWISS OFFICE
St. Urbangasse 53
Postfach 1738
CH-4502 Solothurn
Switzerland