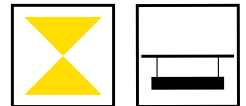




TRIAD + PENDANT/CEILING LIGHT



KEY FEATURES

- Suspended Direct-Indirect lit versions.
- Equilateral Triangles in 840, 1130 and 1420mm side lengths.
- Direct-Indirect lighting in 2200K to 6500K colour temperatures.
- Fixed Output, DALI, 1-10V, Touch-dim or Casmabi integrated drivers and dimmable control.
- CRI >80 as standard, CRI >90 on request.
- Integrated 3 hour emergency conversions available.
- White, Black, Silver, Graphite, Copper & Champagne finishes.



CASAMBI

**60 YEARS
IN LIGHT**

FOR MORE INFORMATION OR TO TALK ABOUT A PROJECT:

CALL: +44 (0) 1235 55 37 69
EMAIL: sales@optelma.co.uk

ISSUE DATE: 01/10/20

HEAD OFFICE
The Science Park
Abingdon
Oxfordshire
OX14 3YT

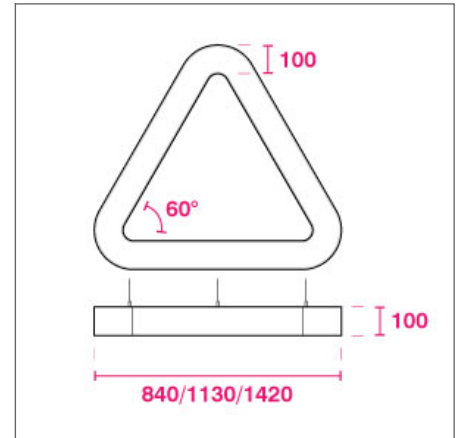
SHOWROOM
23 Bowling Green Lane
Clerkenwell
London
EC1R 0BD

FRANCE
28 Rue Charles
Baudelaire
75012 Paris
France

SWITZERLAND
St. Urbangasse 53
Postfach 1738
CH-4502 Solothurn
Switzerland

TRIAD + SPECIFICATIONS

PRODUCT OPTIONS	
Dimensions (mm):	Direct-Indirect: 100 (W) x 100 (H) x various side lengths (see below)
Cut-out (mm):	N/A
Lifetime:	50,000 hrs
Mounting type:	Suspended Parallel
Finish:	White, Black, Silver, Champagne Gold, Copper, Graphite
Emergency:	Standard emergency conversion on request
Operating voltage:	230V
IP Rating:	IP20
Light source:	Medium Power, High Power
Driver:	Fixed Output, 1-10V, DALI, Touch Dim, Casambi control
Colour temperature:	2200K, 2700K, 3000K, 3500K, 4000K, 6500K
Beam Angle:	Ambient (Direct-Indirect 60%/40%)
Diffuser:	Opal, MPO
CRI:	CRI80, CRI90
Optional Extras:	Obtuse or Right-angled Triangles and alternate finishes on request

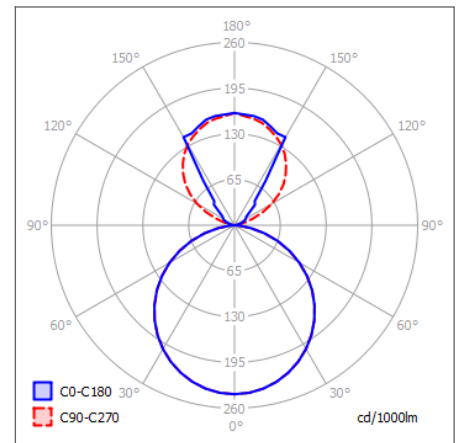


CROSS-SECTION EQUILATERAL DIRECT (MM)

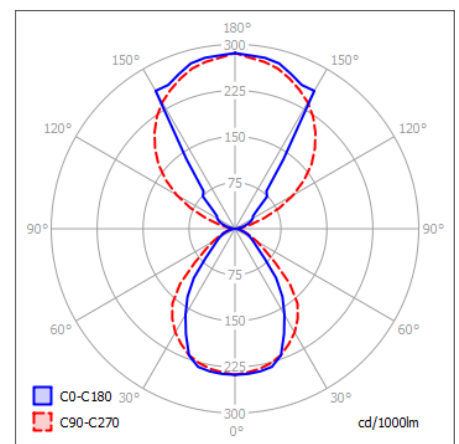
CHOOSE AN EQUILATERAL SIDE LENGTH AND PROJECT-SPECIFIC LIGHT SOURCE

Suspended Pendant	Medium Power Opal DIR-IND*	High Power Opal DIR-IND*	Medium Power MPO DIR-IND*	High Power MPO DIR-IND*
840	5630lm/50W	8190lm/81W	10650lm/77W	15470lm/122W
1130	7740lm/68W	11270lm/107W	15170lm/107W	22020lm/166W
1420	9860lm/85W	14350lm/138W	19680lm/136W	28570lm/220W

*Luminaire luminous flux with Opal diffuser at 4000K.



POLAR CURVE OPAL DIRECT ONLY



POLAR CURVE MPO DIRECT ONLY



FOR MORE INFORMATION OR TO TALK ABOUT A PROJECT:

CALL: +44 (0) 1235 55 37 69
EMAIL: sales@optelma.co.uk

ISSUE DATE: 01/10/20

HEAD OFFICE
The Science Park
Abingdon
Oxfordshire
OX14 3YT

SHOWROOM
23 Bowling Green Lane
Clerkenwell
London
EC1R 0BD

FRANCE
28 Rue Charles
Baudelaire
75012 Paris
France

SWITZERLAND
St. Urbangasse 53
Postfach 1738
CH-4502 Solothurn
Switzerland

TRIAD + COMPONENTS



MATT WHITE
Powder-coated Matt
White RAL 9016
painted finish.

OPAL DIFFUSER
Opal polycarbonate
diffuser.



MATT BLACK
Powder-coated Matt
Black RAL 9005
painted finish.

MPO DIFFUSER
Micro Pyramidal
Optic diffuser.



MATT SILVER
Powder-coated Matt
Silver RAL 9006
painted finish.

**PARALLEL
SUSPENSION**
Stainless steel cable,
Max height 4000mm.



CASAMBI

**60 YEARS
IN LIGHT**

**FOR MORE INFORMATION
OR TO TALK ABOUT A PROJECT:**

CALL: +44 (0) 1235 55 37 69
EMAIL: sales@optelma.co.uk

ISSUE DATE: 01/10/20

HEAD OFFICE
The Science Park
Abingdon
Oxfordshire
OX14 3YT

SHOWROOM
23 Bowling Green Lane
Clerkenwell
London
EC1R 0BD

FRANCE
28 Rue Charles
Baudelaire
75012 Paris
France

SWITZERLAND
St. Urbangasse 53
Postfach 1738
CH-4502 Solothurn
Switzerland

TRIAD + SPECIFICATION CODE

AAAA - BB/C/D/E - F/GGG - HHHH/I										
AAAA PRODUCT ID	BB MOUNTING	C FINISH	D DRIVER	E DIFFUSER	F DIRECT LED	GGG CRI/ COLOUR	F INDIRECT LED	GGG CRI/ COLOUR	HHH DIAMETER/ SIZE (mm)	I EMERGENCY
TRIA	SP	B W S G C X*	F D 1 T C	O M	M H	827 830 840 927 930 940	M H	827 830 840 927 930 940	0840 1130 1420	E

* **X** Custom Options - specify details alongside code

PRODUCT ID **TRIA** TRIAD + Ceiling Light

MOUNTING **SP** Suspended Parallel

FINISH **B** Black, **W** White, **S** Silver, **G** Champagne Gold, **C** Copper

DRIVER **F** Fixed Output, **D** DALI, **1** 1-10V, **T** Touch Dim, **C** Casambi control

DIFFUSER **O** Opal, **M** MPO

DIRECT LED **M** Medium power, **H** High power

CRI / COLOUR **827** CRI 80+ Colour 2700K, **830** CRI 80+ Colour 3000K, **840** CRI 80+ Colour 4000K,

927 CRI 90+ Colour 2700K, **930** CRI 90+ Colour 3000K, **940** CRI 90+ Colour 4000K

INDIRECT LED **M** Medium power, **H** High power

CRI / COLOUR **827** CRI 80+ Colour 2700K, **830** CRI 80+ Colour 3000K, **840** CRI 80+ Colour 4000K,

927 CRI 90+ Colour 2700K, **930** CRI 90+ Colour 3000K, **940** CRI 90+ Colour 4000K

LENGTH Equilateral side lengths in millimetres

EMERGENCY **E** Integrated Emergency - specify details alongside code

CUSTOM + **OBTUSE** OR + **RIGHT-ANGLED** for alternate shapes - specify alongside code [on request]

STANDARD

Standard fixed option products for quick and easy specification. Point source LED and Linear LED solutions, organised into Track & Spots, Downlights, Recessed, Surface, Suspended and Wall mounted solutions.

MADE-TO-MEASURE

Versatile systems and luminaires with custom specifications for project-specific lighting. Available in custom sizes and lengths, with many options including curves, corners, finishes, integrated accessories and more.

BESPOKE

Bespoke luminaires demonstrating completely custom project solutions, designed with the clients from concept to delivery. Learn about the design process and inspire your next bespoke lighting project.



CASAMBI

**60 YEARS
IN LIGHT**

FOR MORE INFORMATION OR TO TALK ABOUT A PROJECT:

CALL: +44 (0) 1235 55 37 69

EMAIL: sales@optelma.co.uk

ISSUE DATE: 01/10/20

HEAD OFFICE

The Science Park
Abingdon
Oxfordshire
OX14 3YT

SHOWROOM

23 Bowling Green Lane
Clerkenwell
London
EC1R 0BD

FRANCE

28 Rue Charles
Baudelaire
75012 Paris
France

SWITZERLAND

St. Urbangasse 53
Postfach 1738
CH-4502 Solothurn
Switzerland