



# TRIAD

PENDANT/CEILING LIGHT



## KEY FEATURES

- Surface Mounted or Suspended versions.
- Equilateral Triangles in 840, 1130 and 1420mm side lengths.
- Direct lighting in 2200K to 6500K colour temperatures.
- Fixed Output, DALI, 1-10V, Touch-dim or Casmabi integrated drivers and dimmable control.
- CRI >80 as standard, CRI >90 on request.
- Integrated 3 hour emergency conversions available.
- White, Black, Silver, Graphite, Copper & Champagne finishes.



**CASAMBI**

**60 YEARS  
IN LIGHT**

**FOR MORE INFORMATION  
OR TO TALK ABOUT A PROJECT:**

CALL: +44 (0) 1235 55 37 69  
EMAIL: [sales@optelma.co.uk](mailto:sales@optelma.co.uk)

ISSUE DATE: 01/10/20

**HEAD OFFICE**  
The Science Park  
Abingdon  
Oxfordshire  
OX14 3YT

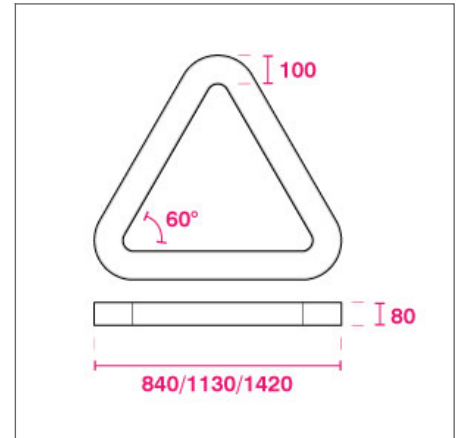
**SHOWROOM**  
23 Bowling Green Lane  
Clerkenwell  
London  
EC1R 0BD

**FRANCE**  
28 Rue Charles  
Baudelaire  
75012 Paris  
France

**SWITZERLAND**  
St. Urbangasse 53  
Postfach 1738  
CH-4502 Solothurn  
Switzerland

## TRIAD SPECIFICATIONS

PRODUCT OPTIONS	
Dimensions (mm):	Direct Only: 100 (W) x 80 (H) x various side lengths (tables below)
Cut-out (mm):	N/A
Lifetime:	50,000 hrs
Mounting type:	Surface, Suspended Parallel
Finish:	White, Black, Silver, Champagne Gold, Copper, Graphite
Emergency:	Standard emergency conversion on request
Operating voltage:	230V
IP Rating:	IP20
Light source:	Medium Power, High Power
Driver:	Fixed Output, 1-10V, DALI, Touch Dim, Casambi control
Colour temperature:	2200K, 2700K, 3000K, 3500K, 4000K, 6500K
Beam Angle:	Ambient (Direct only 100%)
Diffuser:	Opal, MPO
CRI:	CRI80, CRI90
Optional Extras:	Obtuse or Right-angled Triangles and alternate finishes on request



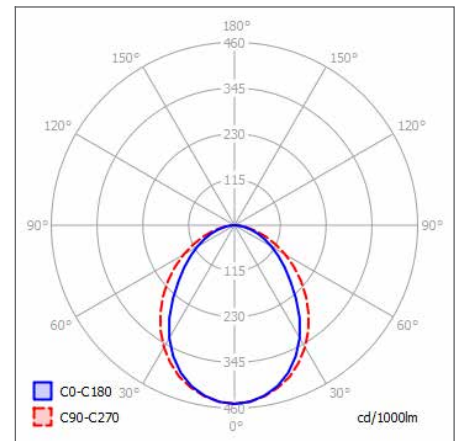
CROSS-SECTION EQUILATERAL DIRECT (MM)

### CHOOSE AN EQUILATERAL SIDE LENGTH AND PROJECT-SPECIFIC LIGHT SOURCE

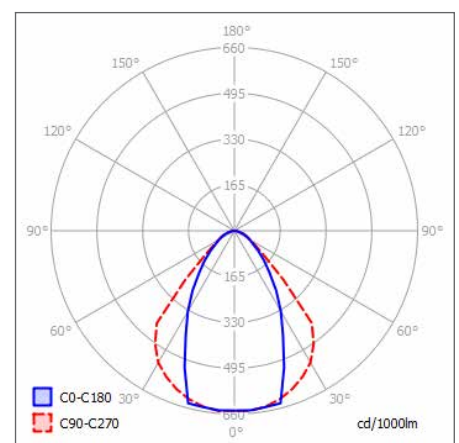
Surface Mounted	Medium Power Opal Direct only*	High Power Opal Direct only*	Medium Power MPO Direct only*	High Power MPO Direct only*
840	5630lm/50W	8190lm/81W	6530lm/50W	9510lm/81W
1130	7740lm/68W	11270lm/107W	8980lm/68W	13080lm/107W
1420	9860lm/85W	14350lm/138W	11440lm/85W	16650lm/138W

Suspended Pendant	Medium Power Opal Direct only*	High Power Opal Direct only*	Medium Power MPO Direct only*	High Power MPO Direct only*
840	5630lm/50W	8190lm/81W	6530lm/50W	9510lm/81W
1130	7740lm/68W	11270lm/107W	8980lm/68W	13080lm/107W
1420	9860lm/85W	14350lm/138W	11440lm/85W	16650lm/138W

\*Luminaire luminous flux with Opal diffuser at 4000K.



POLAR CURVE OPAL DIRECT ONLY



POLAR CURVE MPO DIRECT ONLY



**CASAMBI**

**60 YEARS  
IN LIGHT**

#### FOR MORE INFORMATION OR TO TALK ABOUT A PROJECT:

CALL: +44 (0) 1235 55 37 69  
EMAIL: sales@optelma.co.uk  
ISSUE DATE: 01/10/20

**HEAD OFFICE**  
The Science Park  
Abingdon  
Oxfordshire  
OX14 3YT

**SHOWROOM**  
23 Bowling Green Lane  
Clerkenwell  
London  
EC1R 0BD

**FRANCE**  
28 Rue Charles  
Baudelaire  
75012 Paris  
France

**SWITZERLAND**  
St. Urbangasse 53  
Postfach 1738  
CH-4502 Solothurn  
Switzerland

---

## TRIAD COMPONENTS

---



**MATT WHITE**  
Powder-coated Matt  
White RAL 9016  
painted finish.

**OPAL DIFFUSER**  
Opal polycarbonate  
diffuser.



**MATT BLACK**  
Powder-coated Matt  
Black RAL 9005  
painted finish.

**MPO DIFFUSER**  
Micro Pyramidal  
Optic diffuser.



**MATT SILVER**  
Powder-coated Matt  
Silver RAL 9006  
painted finish.

**PARALLEL  
SUSPENSION**  
Stainless steel cable,  
Max height 4000mm.



**CASAMBI**

**60 YEARS  
IN LIGHT**

---

**FOR MORE INFORMATION  
OR TO TALK ABOUT A PROJECT:**

CALL: +44 (0) 1235 55 37 69  
EMAIL: [sales@optelma.co.uk](mailto:sales@optelma.co.uk)

ISSUE DATE: 01/10/20

**HEAD OFFICE**  
The Science Park  
Abingdon  
Oxfordshire  
OX14 3YT

**SHOWROOM**  
23 Bowling Green Lane  
Clerkenwell  
London  
EC1R 0BD

**FRANCE**  
28 Rue Charles  
Baudelaire  
75012 Paris  
France

**SWITZERLAND**  
St. Urbangasse 53  
Postfach 1738  
CH-4502 Solothurn  
Switzerland

## TRIAD SPECIFICATION CODE

AAAA - BB/C/D/E - F/GGG - HHHH/I								
AAAA PRODUCT ID	BB MOUNTING	C FINISH	D DRIVER	E DIFFUSER	F DIRECT LED	GGG CRI/ COLOUR	HHH DIAMETER/ SIZE (mm)	I EMERGENCY
TRIA	SM SP	B W S G C X*	F D 1 T C	O M	M H	827 830 840 927 930 940	0840 1130 1420	E

- \* **X** Custom Options - specify details alongside code
- PRODUCT ID **TRIA** TRIAD Ceiling Light
- MOUNTING **SM** Surface Mounted, **SP** Suspended Parallel
- FINISH **B** Black, **W** White, **S** Silver, **G** Champagne Gold, **C** Copper
- DRIVER **F** Fixed Output, **D** DALI, **1** 1-10V, **T** Touch Dim, **C** Casambi control
- DIFFUSER **O** Opal, **M** MPO
- DIRECT LED **M** Medium power, **H** High power
- CRI / COLOUR **827** CRI 80+ Colour 2700K, **830** CRI 80+ Colour 3000K, **840** CRI 80+ Colour 4000K, **927** CRI 90+ Colour 2700K, **930** CRI 90+ Colour 3000K, **940** CRI 90+ Colour 4000K
- LENGTH Equilateral side lengths in millimetres
- EMERGENCY **E** Integrated Emergency - specify details alongside code
- CUSTOM +**OBTUSE** OR +**RIGHT-ANGLED** for alternate shapes - specify alongside code [on request]

### STANDARD

Standard fixed option products for quick and easy specification. Point source LED and Linear LED solutions, organised into Track & Spots, Downlights, Recessed, Surface, Suspended and Wall mounted solutions.

### MADE-TO-MEASURE

Versatile systems and luminaires with custom specifications for project-specific lighting. Available in custom sizes and lengths, with many options including curves, corners, finishes, integrated accessories and more.

### BESPOKE

Bespoke luminaires demonstrating completely custom project solutions, designed with the clients from concept to delivery. Learn about the design process and inspire your next bespoke lighting project.



**CASAMBI**

**60 YEARS  
IN LIGHT**

#### FOR MORE INFORMATION OR TO TALK ABOUT A PROJECT:

CALL: +44 (0) 1235 55 37 69  
EMAIL: sales@optelma.co.uk

ISSUE DATE: 01/10/20

**HEAD OFFICE**  
The Science Park  
Abingdon  
Oxfordshire  
OX14 3YT

**SHOWROOM**  
23 Bowling Green Lane  
Clerkenwell  
London  
EC1R 0BD

**FRANCE**  
28 Rue Charles  
Baudelaire  
75012 Paris  
France

**SWITZERLAND**  
St. Urbangasse 53  
Postfach 1738  
CH-4502 Solothurn  
Switzerland