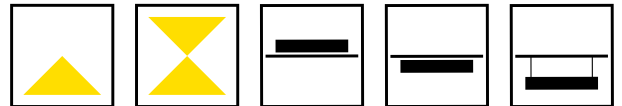




QUAD CURVE 60

LINEAR SYSTEM



KEY FEATURES

- Recessed, Surface Mounted and Suspended linear system
- Standard modular lengths, curves, junctions and corners to create organic lines and shapes of light
- Low, Medium or High Power Direct or Direct-Indirect LED
- Compact fixed output drivers, or a range of dimming options including DALI, 1-10V, Touch-Dim or Casambi control
- Integrated emergency conversions available on request
- White, Black, Silver, Graphite, Copper and Champagne finish



CASAMBI

**60 YEARS
IN LIGHT**

FOR MORE INFORMATION OR TO TALK ABOUT A PROJECT:

CALL: +44 (0) 1235 55 37 69
EMAIL: sales@optelma.co.uk

ISSUE DATE: 11/09/20

HEAD OFFICE
The Science Park
Abingdon
Oxfordshire
OX14 3YT

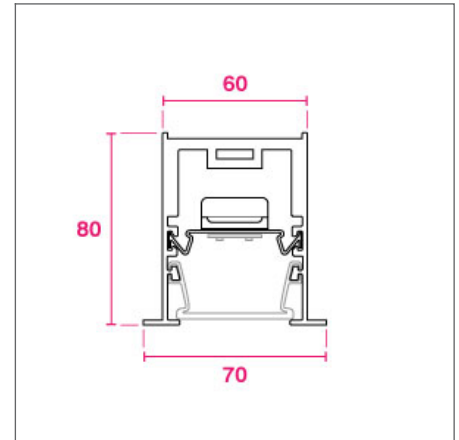
SHOWROOM
23 Bowling Green Lane
Clerkenwell
London
EC1R 0BD

PARIS OFFICE
28 Rue Charles
Baudelaire
75012 Paris
France

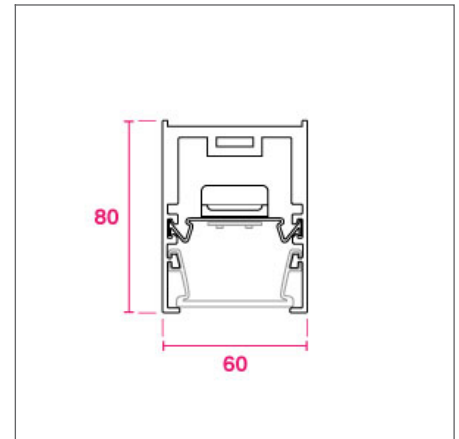
SWISS OFFICE
St. Urbangasse 53
Postfach 1738
CH-4502 Solothurn
Switzerland

QUAD CURVE 60 SPECIFICATIONS

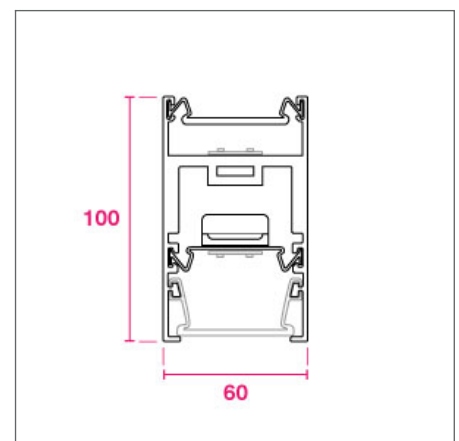
PRODUCT OPTIONS	
Dimensions (mm):	Direct Only: 60 (W) x 80 (H), Direct-Indirect: 60 (W) x 100 (H)
Cut-out (mm):	Direct Only: 60 (W) x 120 (H) including recessing bracket
Lifetime:	50,000 hrs
Mounting type:	Recessed, Surface, Suspended
Finish:	White, Black, Silver, Champagne Gold, Copper, Graphite
Emergency:	Standard emergency conversion on request
Operating voltage:	230V
IP Rating:	IP20
Light source:	Low Power, Medium Power, High Power
Driver:	Fixed Output, 1-10V, DALI, Touch Dim, Casambi control
Colour temperature:	2200K, 2700K, 3000K, 3500K, 4000K, 6500K
Beam Angle:	(Direct only 100% or Direct-Indirect 40/60%)
Diffuser:	Opal, MPO
CRI:	CRI80, CRI90
Optional Extras:	Additional finishes and shapes available on request



CROSS-SECTION RECESSED DIRECT (MM)



CROSS-SECTION SURFACE DIRECT (MM)



CROSS-SECTION DIRECT-INDIRECT (MM)

CHOOSE A PROJECT-SPECIFIC LENGTH, CURVE OR CORNER MODULE.

Direct Modules (Recessed, Surface or Suspended)	Low Power Direct only*	Medium Power Direct only*	High Power Direct only*
Linear 600mm	1190lm/17W per metre	1730lm/23W per metre	2250lm/32W per metre
Linear 888mm			
Linear 1178mm			
Linear 1472mm			
Linear 2340mm			
90° Corner 500x500mm			
135° Bend* 480x480mm	1190lm/17W per metre	1730lm/23W per metre	2250lm/32W per metre
90° Bend* 480x480mm			
60° Bend* 480x480mm			
45° Bend* 1023x1023mm			
1/2 Curve 500-4000mm Rad.			
1/4 Curve 500-4000mm Rad.			
1/8 Curve 500-4000mm Rad.			
1/16 Curve 500-4000mm Rad.			

*Luminaire luminous flux with Opal diffuser at 4000K. Corner is mitred, Bend is rounded angle, not available in Recessed version. Curve Radii Available: 500mm, 750mm, 1000mm, 1250mm, 1500mm, 1750mm, 2000mm, 2500mm, 3000mm, 3500mm, 4000mm



**60 YEARS
IN LIGHT**

FOR MORE INFORMATION OR TO TALK ABOUT A PROJECT:

CALL: +44 (0) 1235 55 37 69
EMAIL: sales@optelma.co.uk
ISSUE DATE: 11/09/20

HEAD OFFICE
The Science Park
Abingdon
Oxfordshire
OX14 3YT

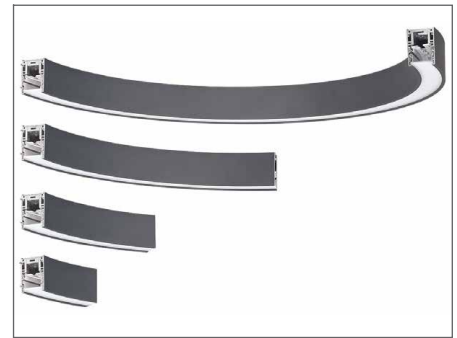
SHOWROOM
23 Bowling Green Lane
Clerkenwell
London
EC1R 0BD

PARIS OFFICE
28 Rue Charles
Baudelaire
75012 Paris
France

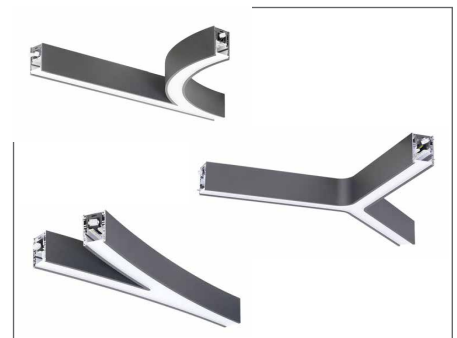
SWISS OFFICE
St. Urbangasse 53
Postfach 1738
CH-4502 Solothurn
Switzerland

Direct-Indirect Modules (Suspended)	Low Power Direct-Indirect*	Medium Power Direct-Indirect*	High Power Direct-Indirect*
Linear 600mm	2820lm/27W per metre	4130lm/40W per metre	4970lm/52W per metre
Linear 888mm			
Linear 1178mm			
Linear 1472mm			
Linear 2340mm			
90° Corner 500x500mm			
135° Bend* 480x480mm			
90° Bend* 480x480mm			
60° Bend* 480x480mm			
45° Bend* 1023x1023mm			
1/2 Curve 500-4000mm Rad.			
1/4 Curve 500-4000mm Rad.			
1/8 Curve 500-4000mm Rad.			
1/16 Curve 500-4000mm Rad.			

*Luminaire luminous flux with Opal diffuser at 4000K. Corner is mitred, Bend is rounded angle. Curve Radii Available: 500mm, 750mm, 1000mm, 1250mm, 1500mm, 1750mm, 2000mm, 2500mm, 3000mm, 3500mm, 4000mm

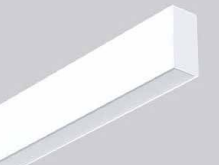

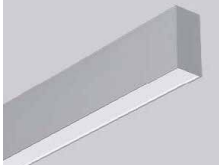
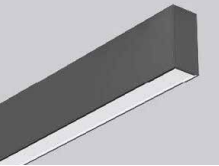
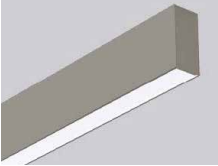









CURVE MODULES IN MULTIPLE RADII



Y-JUNCTIONS, X-JUNCTIONS AND MORE

QUAD CURVE 60 COMPONENTS

 <p>MATT WHITE Powder-coated Matt White painted finish.</p>	 <p>MATT BLACK Powder-coated Matt Black painted finish.</p>	 <p>MATT SILVER Powder-coated Matt Silver painted finish.</p>
 <p>GRAPHITE Powder-coated graphite finish.</p>	 <p>CHAMPAGNE Powder-coated champagne finish.</p>	 <p>COPPER Powder-coated copper finish.</p>
 <p>90° CORNER Opal / MPO mitred corner modules with 500mm linear sides.</p>	 <p>90° BEND Opal / MPO rounded corner modules with 480mm linear sides.</p>	 <p>135° BEND Opal / MPO rounded corner modules with 480mm linear sides.</p>
 <p>60° BEND Opal / MPO rounded corner modules with 480mm linear sides.</p>	 <p>45° BEND Opal / MPO rounded corner modules with 1023mm linear sides.</p>	 <p>JUNCTIONS/ SHAPES Crosses, Y-junctions and wave modules (except for recessed).</p>



**60 YEARS
IN LIGHT**

**FOR MORE INFORMATION
OR TO TALK ABOUT A PROJECT:**

CALL: +44 (0) 1235 55 37 69
EMAIL: sales@optelma.co.uk

ISSUE DATE: 11/09/20

HEAD OFFICE
The Science Park
Abingdon
Oxfordshire
OX14 3YT

SHOWROOM
23 Bowling Green Lane
Clerkenwell
London
EC1R 0BD

PARIS OFFICE
28 Rue Charles
Baudelaire
75012 Paris
France

SWISS OFFICE
St. Urbangasse 53
Postfach 1738
CH-4502 Solothurn
Switzerland

QUAD CURVE 60 SPECIFICATION CODE

AAAA - BB/C/D/E - F/GGG - HHHH/I										
AAAA PRODUCT ID	BB MOUNTING	C FINISH	D DRIVER	E DIFFUSER	F DIRECT LED	GGG CRI/ COLOUR	F INDIRECT LED	GGG CRI/ COLOUR	HHH LENGTH (mm)	I EMERGENCY
QU60	RE	B	F	O	L	827	L	827	XXXX*	E
QC60	SM	W	D	M	M	830	M	830	LENGTH/ RADIUS IN	
	SP	S	1		H	840	H	840	MM	
		G	T			927		927		
		C	C			930		930		
		X*				940		940		

PRODUCT ID **'QU60'** Linear 60mm modules, **'QC60'** Curved 60mm modules (define radius)

MOUNTING **'RE'** Recessed, **'SM'** Surface Mounted, **'SP'** Suspended Parallel

FINISH **'B'** Black, **'W'** White, **'S'** Silver, **'G'** Champagne Gold, **'C'** Copper

DRIVER **'F'** Fixed Output, **'D'** DALI, **'1'** 1-10V, **'T'** Touch Dim, **'C'** Casambi control

DIFFUSER **'O'** Opal, **'M'** MPO, **'W'** Asymmetric Wallwasher, **'S'** Satin Louver

DIRECT LED **'L'** Low power, **'M'** Medium power, **'H'** High power

CRI / COLOUR **'827'** CRI 80+ Colour 2700K, **'830'** CRI 80+ Colour 3000K, **'840'** CRI 80+ Colour 4000K,

'927' CRI 90+ Colour 2700K, **'930'** CRI 90+ Colour 3000K, **'940'** CRI 90+ Colour 4000K

INDIRECT LED **'L'** Low power, **'M'** Medium power, **'H'** High power (LEAVE SECTION BLANK IF DIRECT ONLY)

CRI / COLOUR **'827'** CRI 80+ Colour 2700K, **'830'** CRI 80+ Colour 3000K, **'840'** CRI 80+ Colour 4000K,

'927' CRI 90+ Colour 2700K, **'930'** CRI 90+ Colour 3000K, **'940'** CRI 90+ Colour 4000K

LENGTH Modular lengths in millimetres

EMERGENCY **'E'** Integrated Emergency - specify details alongside code

ADDITIONAL (+) **'L'** 90° Corner, **'Y1'** Y1 junction, **'Y2'** Y2 junction, **'Y3'** Y3 junction, **'Y4'** Y4 junction, **'Y5'** Y5 junction, **'Y6'** Y6 junction, **'X1'** X1 junction, **'X2'** X2 junction, **'B45'** 45° Bend, **'B60'** 60° Bend, **'B90'** 90° Bend, **'B135'** 135° Bend, **'1/2C'** 1/2 Circle, **'1/4C'** 1/4 Circle, **'1/8C'** 1/8 Circle, **'1/16C'** 1/16 Circle - Waves on request

STANDARD

Standard fixed option products for quick and easy specification. Point source LED and Linear LED solutions, organised into Track & Spots, Downlights, Recessed, Surface, Suspended and Wall mounted solutions.

MADE-TO-MEASURE

Versatile systems and luminaires with custom specifications for project-specific lighting. Available in custom sizes and lengths, with many options including curves, corners, finishes, integrated accessories and more.

BESPOKE

Bespoke luminaires demonstrating completely custom project solutions, designed with the clients from concept to delivery. Learn about the design process and inspire your next bespoke lighting project.



**60 YEARS
IN LIGHT**

FOR MORE INFORMATION OR TO TALK ABOUT A PROJECT:

CALL: +44 (0) 1235 55 37 69

EMAIL: sales@optelma.co.uk

ISSUE DATE: 11/09/20

HEAD OFFICE

The Science Park
Abingdon
Oxfordshire
OX14 3YT

SHOWROOM

23 Bowling Green Lane
Clerkenwell
London
EC1R 0BD

PARIS OFFICE

28 Rue Charles
Baudelaire
75012 Paris
France

SWISS OFFICE

St. Urbangasse 53
Postfach 1738
CH-4502 Solothurn
Switzerland