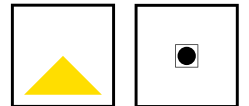




# TOOB SURFACE

## DOWNLIGHT



### KEY FEATURES

- Surface mounted cylindrical downlighter
- Direct lighting with CRI90 LED
- Choice of beam angles including 11°, 20°, 34°
- 12W LED Engine providing up to 868lm
- Colour temperatures include 2700K, 3000K and 4000K
- Integrated Fixed Output or Mains Dimmable driver
- Die cast aluminium housing coated in a Black or White finish, with baffle in Black, White or Gold finish
- Honeycomb Louver antiglare accessory on request



**60 YEARS**  
**IN LIGHT**

CALL: +44 (0) 1235 55 37 69  
EMAIL: [sales@optelma.co.uk](mailto:sales@optelma.co.uk)  
ISSUE DATE: 21/01/20

**HEAD OFFICE**  
The Science Park  
Abingdon  
Oxfordshire OX14 3YT  
United Kingdom

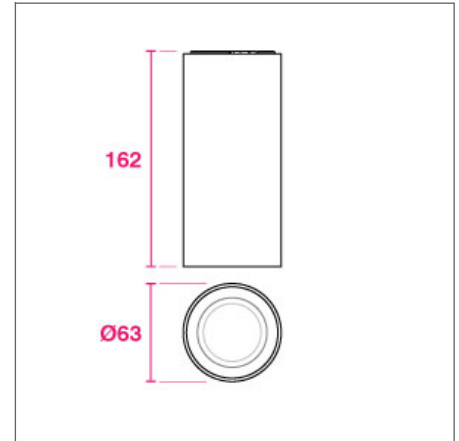
**SHOWROOM**  
23 Bowling Green Lane  
Clerkenwell  
London EC1R 0BD  
United Kingdom

**FRANCE**  
28 Rue Charles  
Baudelaire  
75012 Paris  
France

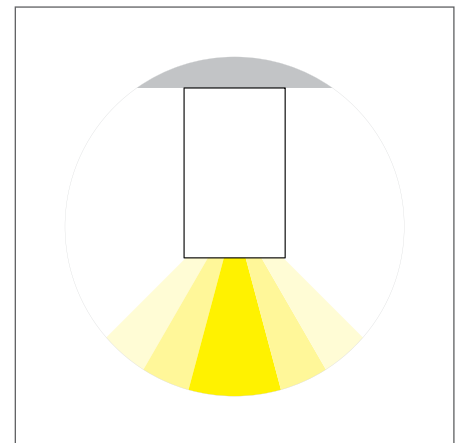
**SWITZERLAND**  
St. Urbangasse 53  
Postfach 1738  
CH-4502 Solothurn  
Switzerland

## TOOB SURFACE SPECIFICATIONS

PRODUCT OPTIONS	
Dimensions (mm):	63 (Ø) x 162 (H)
Cut-out (mm):	N/A
Weight (kg):	<1.0 kg
Lifetime:	50,000 hrs
Mounting type:	Surface Mounted
Finish:	Matt White, Matt Black
Emergency:	Remote 3-hour emergency conversion on request
Operating voltage:	230V (350mA)
IP Rating:	IP20
Light source:	Low Power 12W LED
Driver:	Fixed Output, Mains Dimmable
Colour temperature:	2700K, 3000K, 4000K
Beam Angle:	11°, 20°, 34°
Diffuser:	N/A
CRI:	90+
Optional Extras:	Antiglare accessories: Honeycomb louver Baffle finishes: Black, White, Gold



CROSS-SECTION DIMENSIONS (MM)

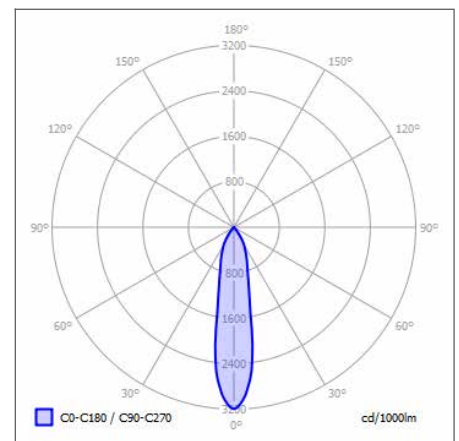


DISTRIBUTION

### CHOOSE A PROJECT SPECIFIC SOLUTION FROM THE FOLLOWING OUTPUTS

LED Light Source*	Beam Angle	Wattage	Output
TOOB Low Power LED	11°	12W	868 lm
TOOB Low Power LED	20°	12W	788 lm
TOOB Low Power LED	34°	12W	884 lm

\* LED Lumen outputs at 4000K.



POLAR CURVE 20° 4000K Low Power



**60 YEARS**  
**IN LIGHT**

CALL: +44 (0) 1235 55 37 69

EMAIL: sales@optelma.co.uk

ISSUE DATE: 21/01/20

#### HEAD OFFICE

The Science Park  
Abingdon  
Oxfordshire OX14 3YT  
United Kingdom

#### SHOWROOM

23 Bowling Green Lane  
Clerkenwell  
London EC1R 0BD  
United Kingdom

#### FRANCE

28 Rue Charles  
Baudelaire  
75012 Paris  
France

#### SWITZERLAND

St. Urbangasse 53  
Postfach 1738  
CH-4502 Solothurn  
Switzerland

## TOOB SURFACE COMPONENTS



**BLACK + BLACK REFLECTOR**  
Black coated aluminium with a black reflector ring.



**WHITE + GOLD REFLECTOR**  
White coated aluminium with a gold reflector ring.



**WHITE + WHITE REFLECTOR**  
White coated aluminium with a white reflector ring.



**BLACK + WHITE REFLECTOR**  
Black coated aluminium with a white reflector ring.



**BLACK + GOLD REFLECTOR**  
Black coated aluminium with a gold reflector ring.



**WHITE + BLACK REFLECTOR**  
White coated aluminium with a black reflector ring.



**HONEYCOMB LOUVER**  
Honeycomb Louver antiglare accessory.



**60 YEARS  
IN LIGHT**

CALL: +44 (0) 1235 55 37 69  
EMAIL: [sales@optelma.co.uk](mailto:sales@optelma.co.uk)  
ISSUE DATE: 21/01/20

**HEAD OFFICE**  
The Science Park  
Abingdon  
Oxfordshire OX14 3YT  
United Kingdom

**SHOWROOM**  
23 Bowling Green Lane  
Clerkenwell  
London EC1R 0BD  
United Kingdom

**FRANCE**  
28 Rue Charles  
Baudelaire  
75012 Paris  
France

**SWITZERLAND**  
St. Urbangasse 53  
Postfach 1738  
CH-4502 Solothurn  
Switzerland

## TOOB SURFACE SPECIFICATION CODE

AAAA - BB/C/D/E - F/GGG - HHHH/I								
AAAA PRODUCT ID	BB MOUNTING	C FINISH	D DRIVER	E BEAM ANGLE	F DIRECT LED	GGG CRI/ COLOUR	HHH DIAMETER/ SIZE (mm)	I EMERGENCY
TOOB	SM	W B X*	F M	T S M	L	927 930 940	63	N/A

* MOUNTING	<b>X</b> Custom Options - specify details alongside code
FINISH	<b>SM</b> Surface Mounted
DRIVER	<b>W</b> Matt White, <b>B</b> Matt Black
BEAM ANGLE	<b>F</b> Fixed Output, <b>M</b> Mains Dimming
DIRECT LED	<b>T</b> 11° Tight Spot, <b>S</b> 20° Spot, <b>M</b> 34° Medium
CRI / COLOUR	<b>L</b> Low power 12W
DIAMETER / SIZE	<b>927</b> CRI 90+ Colour 2700K, <b>930</b> CRI 90+ Colour 3000K, <b>940</b> CRI 90+ Colour 4000K
EMERGENCY	Luminaire diameter in millimetres
	Options available on request - specify details alongside code

For contrasting reflector ring finishes specify details alongside code:  
+WHITE / +BLACK / +GOLD

### STANDARD

Standard fixed option products for quick and easy specification. Point source LED and Linear LED solutions, organised into Track & Spots, Downlights, Recessed, Surface, Suspended and Wall mounted solutions.

### MADE-TO-MEASURE

Versatile systems and luminaires with custom specifications for project-specific lighting. Available in custom sizes and lengths, with many options including curves, corners, finishes, integrated accessories and more.

### BESPOKE

Bespoke luminaires demonstrating completely custom project solutions, designed with the clients from concept to delivery. Learn about the design process and inspire your next bespoke lighting project.



### 60 YEARS IN LIGHT

CALL: +44 (0) 1235 55 37 69  
EMAIL: sales@optelma.co.uk  
ISSUE DATE: 21/01/20

#### HEAD OFFICE

The Science Park  
Abingdon  
Oxfordshire OX14 3YT  
United Kingdom

#### SHOWROOM

23 Bowling Green Lane  
Clerkenwell  
London EC1R 0BD  
United Kingdom

#### FRANCE

28 Rue Charles  
Baudelaire  
75012 Paris  
France

#### SWITZERLAND

St. Urbangasse 53  
Postfach 1738  
CH-4502 Solothurn  
Switzerland