



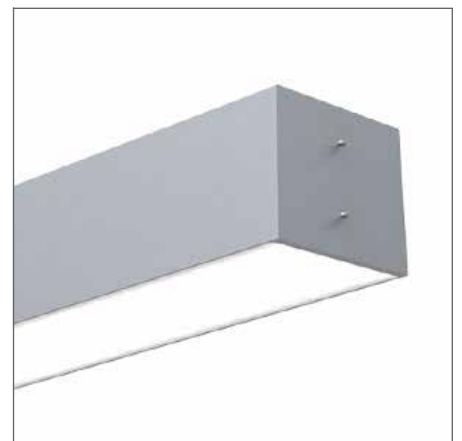
# QUAD 100

MODULAR, CONTINUOUS & MADE-TO-MEASURE



## KEY FEATURES

- Recessed, Surface, Suspended and Wall mounted linear lights
- Standard modular lengths, continuous connected modules or made-to-measure project-specific lengths
- Direct lighting with PHILIPS Fortimo LED boards and compact PHILIPS Xitanium Fixed Output drivers
- DALI dimmable option, or Casambi bluetooth control
- Integrated 3-hour emergency conversions available
- Matt White, Matt Black and Anodised Aluminium standard finishes, with many more on request including RAL & vinyl
- UGR compliant with up to 136 LL/CW



**PHILIPS CASAMBI**

**60 YEARS  
IN LIGHT**

CALL: +44 (0) 1235 55 37 69

EMAIL: sales@optelma.co.uk

ISSUE DATE: 21/01/20

**HEAD OFFICE**

The Science Park  
Abingdon  
Oxfordshire OX14 3YT  
United Kingdom

**SHOWROOM**

23 Bowling Green Lane  
Clerkenwell  
London EC1R 0BD  
United Kingdom

**FRANCE**

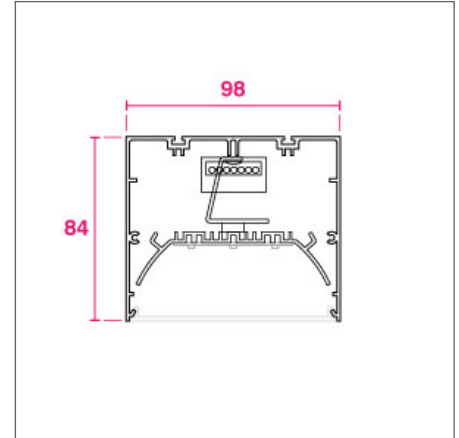
28 Rue Charles  
Baudelaire  
75012 Paris  
France

**SWITZERLAND**

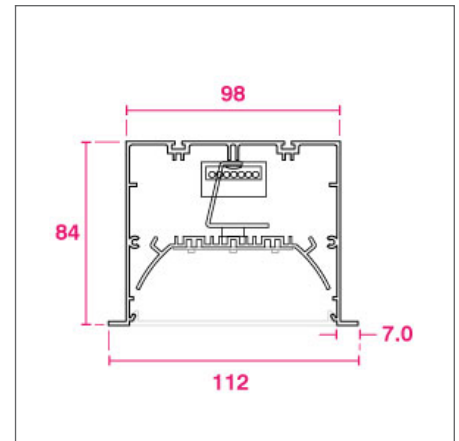
St. Urbangasse 53  
Postfach 1738  
CH-4502 Solothurn  
Switzerland

## QUAD 100 SPECIFICATIONS

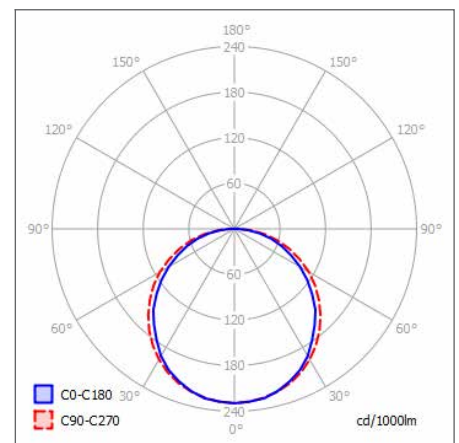
PRODUCT OPTIONS			
Dimensions (mm):	Trimless: 98 (W) x 84 (H), With Trim: 112 (W) x 84 (H)		
Cut-out (mm):	98 (W) x 156 (H) including recessing bracket		
Weight (kg):	2.5 kg per Metre		
Lifetime:	50,000 hrs		
Mounting type:	Recessed, Trimless Recessed, Surface, Suspended, Wall Mounted		
Finish:	White (RAL9016), White (RAL9010), Black, Anodised Aluminium		
Emergency:	DALI or Standard 3 hour emergency conversion (30% driver output)		
Operating voltage:	230V		
IP Rating:	IP20		
Light source:	Philips High Efficiency LED [HE]	Philips High Output LED [HO]	
Source Lumens/M:	2275 [4000K]	3850 [4000K]	
Delivered Lumens/M:	1690 [MPO]	1446 [OPAL]	2861 [MPO] 2447 [OPAL]
Power Watts/M:	12.6	21.0	
Driver:	Fixed Output, DALI Dimmable, Casambi control		
Colour temperature:	3000K, 4000K		
Diffuser:	OPAL (LOR 63.55%), MPO (LOR 74.3%)		
CRI:	80+		
Optional Extras: (On request, Lead times will be affected)	Integrated Downlights, CRI90+, Tuneable White, RGB, RGBW, 2700K, 3500K, 5000K, 6000K LED, PIR/Daylight sensors, IP rated up to IP65, alternative finishes.		



SURFACE CROSS-SECTION (MM)



RECESSED CROSS-SECTION (MM)



POLAR CURVE 4000K OPAL

### MODULAR LENGTHS WITH FAST-TRACK LEAD TIMES

Module Lengths	MPO [HO] Direct only*	OPAL [HO] Direct only*
870	2452lm/18W	2100lm/18W
1150	3270lm/24W	2796lm/24W
1430	4088lm/30W	3492lm/30W
1710	4906lm/36W	4188lm/36W
1990	5724lm/42W	4884lm/42W
2270	6542lm/48W	5580lm/48W
2550	7360lm/54W	6276lm/54W
2830	8179lm/60W	6972lm/60W

### CONNECTED CONTINUOUS MODULAR SYSTEM

Start/End Modules	MPO [HO] Direct only**	OPAL [HO] Direct only**
1150	3270lm/24W	2796lm/24W
1410	4088lm/30W	3492lm/30W
1710	4906lm/36W	4188lm/36W
1990	5724lm/42W	4884lm/42W
2830	8179lm/60W	6972lm/60W
<b>90° Corner</b>		
590x590	3270lm/24W	2796lm/24W
<b>Middle Modules</b>		
2805	8179lm/60W	6972lm/60W
2805 Em.	100lm [Em.]	168lm [Em.]

\* Delivered lumen outputs with Philips Fortimo High Output 4000K LED. Modular lead times from 2 weeks. Custom options affect price & lead time.

\*\* For connected continuous system 3-hour DALI Emergency is available in middle modules only. Start module includes 1 end cap & 1 straight connector, End module includes 1 end cap, Middle module includes 1 straight connector. Be sure to specify START/MIDDLE/END/LEFT/RIGHT.



**60 YEARS IN LIGHT**

CALL: +44 (0) 1235 55 37 69

EMAIL: sales@optelma.co.uk

ISSUE DATE: 21/01/20

#### HEAD OFFICE

The Science Park  
Abingdon  
Oxfordshire OX14 3YT  
United Kingdom

#### SHOWROOM

23 Bowling Green Lane  
Clerkenwell  
London EC1R 0BD  
United Kingdom

#### FRANCE

28 Rue Charles  
Baudelaire  
75012 Paris  
France

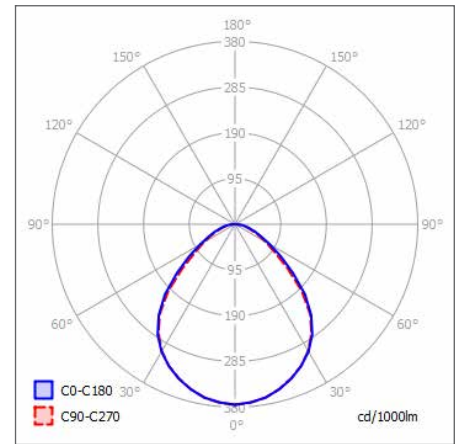
#### SWITZERLAND

St. Urbangasse 53  
Postfach 1738  
CH-4502 Solothurn  
Switzerland

## CUSTOM LIGHT SOURCES FOR MADE-TO-MEASURE SOLUTIONS

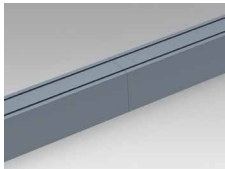
Light Source	LED Source Output	Additional Information
Opteline Board 24V LED	1582lm/M / 15.2W/M	50mm cut-points
Helvar Tuneable White LED	4165lm/M / 21.7W/M	2700K to 6500K
LEE Tuneable White LED	1887lm/M / 10.5W/M	2700K to 5700K
RGB 24V LED Tape	470lm/M / 15W/M	62.5mm cut-points
RGBW 24V LED Tape	750lm/M / 30.8W/M	62.5mm cut-points
Mini Fixed Downlight Ø52	105lm / 4.5W	20°, 38°, 60° beam angles
Integrated 230V Track	See spotlight range online	1-circuit or 3-circuit DALI

\* Source lumens output at 4000K. Custom options affect price & lead time. We have 60+ years experience in bespoke/made-to-measure lighting, so if what you want is not listed, please enquire.

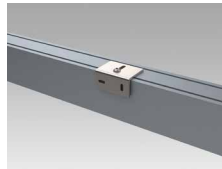


POLAR CURVE 4000K MICROPRISMATIC

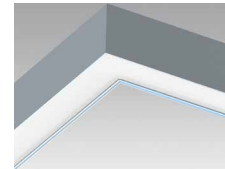
## QUAD 100 COMPONENTS



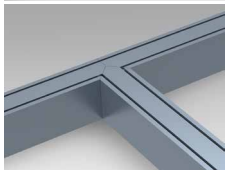
**MECHANICAL COUPLER**  
Flush connections between modules.



**CORNICE SUPPORT**  
Fixing bracket for wall mounting the profile.



**MITRED CORNER**  
Let continuous light turn corners between 81° and 180°.



**MITRED T-JUNCTION**  
Join more than one linear lighting section.



**CHANGE-OF-PLANE**  
Continuous lighting from ceiling to wall.



**RGB LIGHTING**  
24V RGB LED lighting options available.



**INTEGRATED DOWNLIGHTS**  
Fixed miniature downlights.



**INTEGRATED 230V TRACK**  
Flush-fitting 230V track for integrated spotlights and more.



**PIR SENSOR**  
Miniature Passive Infrared sensor for motion detection.

## INTEGRATED EMERGENCY CONVERSIONS



The integrated Emergency conversion (Standard/DALI) will run the driver at 30% output for 3-hours. The converted drivers output is shared equally across each connected board, illuminating the entire length in emergency mode. This improves uniformity to comply with emergency regulations.

A maximum of 10 boards (2810mm module) can be connected to one emergency conversion kit. Longer lengths will require multiple emergency conversions.

Module lengths	Medium Power Emergency*	High Power Emergency*
850mm	99.45lm	168.3lm
1130mm	99.45lm	168.3lm
1410mm	99.45lm	168.3lm
1690mm	99.45lm	168.3lm
1970mm	99.45lm	168.3lm
2250mm	99.45lm	168.3lm
2530mm	99.45lm	168.3lm
2810mm	99.45lm	168.3lm



**60 YEARS IN LIGHT**

CALL: +44 (0) 1235 55 37 69  
EMAIL: sales@optelma.co.uk  
ISSUE DATE: 21/01/20

**HEAD OFFICE**  
The Science Park  
Abingdon  
Oxfordshire OX14 3YT  
United Kingdom

**SHOWROOM**  
23 Bowling Green Lane  
Clerkenwell  
London EC1R 0BD  
United Kingdom

**FRANCE**  
28 Rue Charles  
Baudelaire  
75012 Paris  
France

**SWITZERLAND**  
St. Urbangasse 53  
Postfach 1738  
CH-4502 Solothurn  
Switzerland

## QUAD 100 SPECIFICATION CODE

AAAA - BB/C/D/E - F/GGG - HHHH/I								
AAAA PRODUCT ID	BB MOUNTING	C FINISH	D DRIVER	E DIFFUSER	F DIRECT LED	GGG CRI/ COLOUR	HHH LENGTH (mm)	I EMERGENCY
QU10	RE RT SM SP WM	B W WW A X*	F D C	O M	E O X*	827 830 840 8TW 8RW X*	0870 1150 1430 1710 1990 2270 2550 2830 X*	E DE

- MOUNTING **RE** Recessed, **RT** Recessed Trimless, **SM** Surface Mounted, **SP** Suspended Parallel, **WM** Wall Mounted  
 FINISH **B** Matt Black, **W** White RAL 9016, **WW** White RAL 9010, **A** Anodised Aluminium, **X** Custom Finish  
 DRIVER **F** Fixed Output, **D** DALI, **C** Casambi control  
 DIFFUSER **O** Opal, **M** MPO  
 DIRECT LED **E** High Efficiency 650lm boards, **O** High Output 1100lm boards, **X** Custom - specify details alongside code  
 CRI / COLOUR **827** CRI 80+ Colour 2700K, **830** CRI 80+ Colour 3000K, **840** CRI 80+ Colour 4000K,  
**8TW** CRI 80+ Tuneable White 2700K-6500K, **8RW** CRI 80+ RGBW LED, **X** Custom - specify details alongside code  
 LENGTH Modular lengths in millimetres, **X** Specify custom length  
 EMERGENCY **E** Standard Integrated Emergency, **DE** DALI Integrated Emergency

For through-wired continuous modules, specify: **'START'**, **'MIDDLE'**, **'END'**, **'LEFT'** or **'RIGHT'** to build light systems

### STANDARD

Standard fixed option products for quick and easy specification. Point source LED and Linear LED solutions, organised into Track & Spots, Downlights, Recessed, Surface, Suspended and Wall mounted solutions.

### MADE-TO-MEASURE

Versatile systems and luminaires with custom specifications for project-specific lighting. Available in custom sizes and lengths, with many options including curves, corners, finishes, integrated accessories and more.

### BESPOKE

Bespoke luminaires demonstrating completely custom project solutions, designed with the clients from concept to delivery. Learn about the design process and inspire your next bespoke lighting project.



### 60 YEARS IN LIGHT

CALL: +44 (0) 1235 55 37 69  
 EMAIL: sales@optelma.co.uk  
 ISSUE DATE: 21/01/20

#### HEAD OFFICE

The Science Park  
 Abingdon  
 Oxfordshire OX14 3YT  
 United Kingdom

#### SHOWROOM

23 Bowling Green Lane  
 Clerkenwell  
 London EC1R 0BD  
 United Kingdom

#### FRANCE

28 Rue Charles  
 Baudelaire  
 75012 Paris  
 France

#### SWITZERLAND

St. Urbangasse 53  
 Postfach 1738  
 CH-4502 Solothurn  
 Switzerland