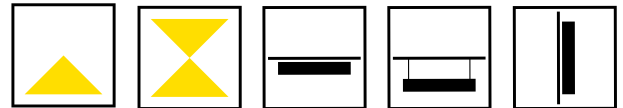




QUAD 70+

MODULAR, CONTINUOUS & MADE-TO-MEASURE



KEY FEATURES

- Surface, Suspended and Wall mounted Direct-Indirect lighting
- Standard modular lengths, continuous connected modules or made-to-measure project-specific lengths
- Direct-Indirect lighting or Direct only with PHILIPS Fortimo LED boards and compact PHILIPS Xitanium Fixed Output drivers
- DALI dimmable option, or Casambi bluetooth control
- Integrated 3-hour emergency conversions available
- Matt White, Matt Black and Anodised Aluminium standard finishes, with many more on request including RAL & vinyl
- UGR compliant with up to 147 LL/CW (Direct)



PHILIPS CASAMBI

**60 YEARS
IN LIGHT**

CALL: +44 (0) 1235 55 37 69

EMAIL: sales@optelma.co.uk

ISSUE DATE: 03/11/20

HEAD OFFICE

The Science Park
Abingdon
Oxfordshire OX14 3YT
United Kingdom

SHOWROOM

23 Bowling Green Lane
Clerkenwell
London EC1R 0BD
United Kingdom

FRANCE

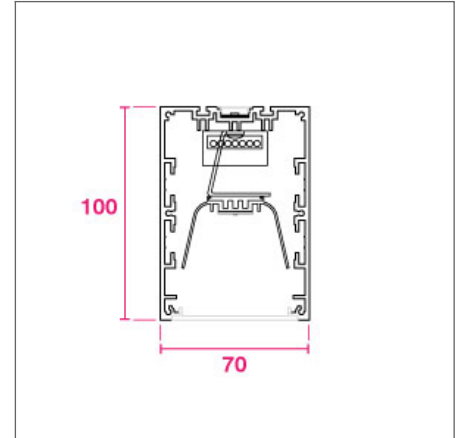
28 Rue Charles
Baudelaire
75012 Paris
France

SWITZERLAND

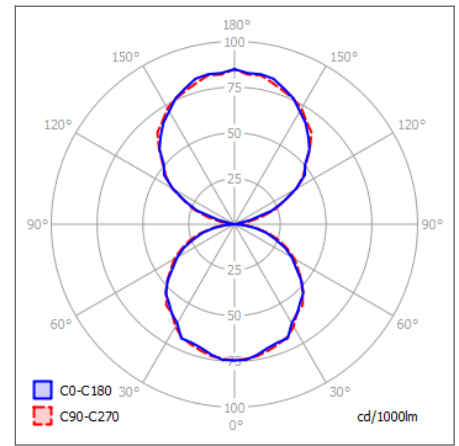
St. Urbangasse 53
Postfach 1738
CH-4502 Solothurn
Switzerland

QUAD 70+ SPECIFICATIONS

PRODUCT OPTIONS			
Dimensions (mm):	70 (W) x 100 (H)		
Cut-out (mm):	N/A		
Weight (kg):	3.5 kg per Metre		
Lifetime:	50,000 hrs		
Mounting type:	Surface (Direct only), Suspended, Wall Mounted (Direct-Indirect)		
Finish:	White (RAL9016), White (RAL9010), Black, Anodised Aluminium		
Emergency:	DALI or Standard 3 hour emergency conversion (30% driver output)		
Operating voltage:	230V		
IP Rating:	IP20		
Direct Light source:	Philips High Efficiency LED [HE]	Philips High Output LED [HO]	
Source Lumens/M:	2275 [4000K]	3850 [4000K]	
Delivered Lumens/M:	1825 [MPO] 1571 [OPAL]	3088 [MPO]	2659 [OPAL]
Power Watts/M:	12.6	21.0	
Indirect Light source:	Opteline LED [OB], 1582lm/M (1093 delivered Opal diff.), 15.2W/M		
Driver:	Fixed Output, DALI Dim. (Direct only or Direct & Indirect), Casambi		
Colour temperature:	3000K, 4000K		
Diffuser:	OPAL (LOR 69.07%), MPO (LOR 80.2%)		
CRI:	80+		
Optional Extras:	Collimated optic downlights, CRI90+, Tuneable White, RGB, RGBW, (On request, Lead times will be affected) 2700K, 3500K, 5000K, 6000K LED, integrated Track, PIR/Daylight sensors, IP rated up to IP65, alternative finishes. All on request.		



SURFACE/SUSP. CROSS-SECTION (MM)



POLAR CURVE 4000K OPAL DIR-IND

MODULAR LENGTHS WITH FAST-TRACK LEAD TIMES

Module Lengths	MPO [HO] Direct only*	OPAL [HO] Direct only*	OPAL [OB] Indirect
870	2647lm/18W	2280lm/18W	951lm/13W
1150	3529lm/24W	3040lm/24W	1257lm/17W
1430	4411lm/30W	3800lm/30W	1563lm/22W
1710	5293lm/36W	4560lm/36W	1869lm/26W
1990	6175lm/42W	5320lm/42W	2175lm/30W
2270	7057lm/48W	6080lm/48W	2481lm/35W
2550	7939lm/54W	6840lm/54W	2787lm/39W
2830	8821lm/60W	7600lm/60W	3093lm/43W

CONNECTED CONTINUOUS MODULAR SYSTEM

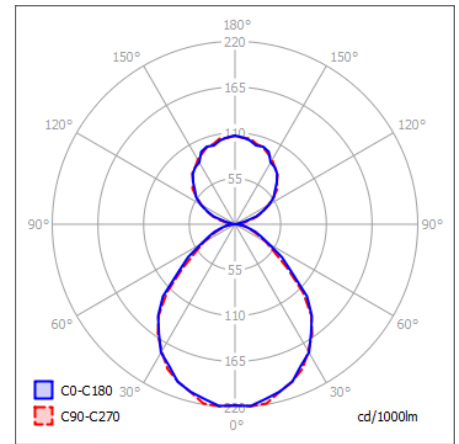
Start/End Modules	MPO [HO] Direct only**	OPAL [HO] Direct only**	OPAL [OB] Indirect
1150	3529lm/24W	3040lm/24W	1257lm/17W
1430	4411lm/30W	3800lm/30W	1563lm/22W
1710	5293lm/36W	4560lm/36W	1869lm/26W
1990	6175lm/42W	5320lm/42W	2175lm/30W
2830	8821lm/60W	7600lm/60W	3093lm/43W
90° Corner			
590x590	3529lm/24W	3040lm/24W	1257lm/17W
Middle Modules			
2805	8360lm/60W	6961lm/60W	3093lm/43W
2805 Em.	100lm [Em.]	168lm [Em.]	N/A (DIR only)

* Delivered lumen outputs with Philips Fortimo High Output 4000K LED. Modular lead times from 2 weeks. Custom options affect price & lead time.
 ** For connected continuous system 3-hour DALI Emergency is available in middle modules only. Be sure to specify START/MIDDLE/END/LEFT/RIGHT.

CUSTOM LIGHT SOURCES FOR MADE-TO-MEASURE SOLUTIONS

Light Source	LED Source Output	Additional Information
Opteline Board 24V LED	1582lm/M / 15.2W/M	50mm cut-points
Helvar Tuneable White LED	4165lm/M / 21.7W/M	2700K to 6500K
LEE Tuneable White LED	1887lm/M / 10.5W/M	2700K to 5700K
RGB 24V LED Tape	470lm/M / 15W/M	62.5mm cut-points
RGBW 24V LED Tape	750lm/M / 30.8W/M	62.5mm cut-points
Mini Fixed Downlight Ø52	105lm / 4.5W	20°, 38°, 60° beam angles
Integrated 230V Track	See spotlight range online	1-circuit or 3-circuit DALI

* Source lumens output at 4000K. Custom options affect price & lead time. We have 60+ years experience in bespoke/made-to-measure lighting, so if what you want is not listed, please enquire.



POLAR CURVE 4000K MPO DIR. OPAL IND.

QUAD 70+ COMPONENTS

	<p>MECHANICAL COUPLER Flush connections between modules.</p>		<p>CORNICE SUPPORT Fixing bracket for wall mounting the profile.</p>		<p>MITRED CORNER Let continuous light turn corners between 81° and 180°.</p>
	<p>MITRED T-JUNCTION Join more than one linear lighting section.</p>		<p>CHANGE-OF-PLANE Continuous lighting from ceiling to wall.</p>		<p>RGB LIGHTING 24V RGB LED lighting options available.</p>
	<p>INTEGRATED DOWNLIGHTS Fixed miniature downlights.</p>		<p>COLLIMATED DOWNLIGHTS Integrated fixed LED optics (1, 2, 5 or 10).</p>		<p>PIR SENSOR Miniature Passive Infrared sensor for motion detection.</p>

INTEGRATED EMERGENCY CONVERSIONS



The integrated Emergency conversion (Standard/DALI) will run the driver at 30% output for 3-hours. The converted drivers output is shared equally across each connected board, illuminating the entire length in emergency mode. This improves uniformity to comply with emergency regulations.

A maximum of 10 boards (2810mm module) can be connected to one emergency conversion kit. Longer lengths will require multiple emergency conversions.

Module lengths	Medium Power Emergency*	High Power Emergency*
850mm	99.45lm	168.3lm
1130mm	99.45lm	168.3lm
1410mm	99.45lm	168.3lm
1690mm	99.45lm	168.3lm
1970mm	99.45lm	168.3lm
2250mm	99.45lm	168.3lm
2530mm	99.45lm	168.3lm
2810mm	99.45lm	168.3lm



60 YEARS IN LIGHT

CALL: +44 (0) 1235 55 37 69
EMAIL: sales@optelma.co.uk

ISSUE DATE: 03/11/20

HEAD OFFICE
The Science Park
Abingdon
Oxfordshire OX14 3YT
United Kingdom

SHOWROOM
23 Bowling Green Lane
Clerkenwell
London EC1R 0BD
United Kingdom

FRANCE
28 Rue Charles
Baudelaire
75012 Paris
France

SWITZERLAND
St. Urbangasse 53
Postfach 1738
CH-4502 Solothurn
Switzerland

QUAD 70+ SPECIFICATION CODE

AAAA - BB/C/D/E - F/GGG - F/GGG - HHHH/I										
AAAA PRODUCT ID	BB MOUNTING	C FINISH	D DRIVER	E DIFFUSER	F DIRECT LED	GGG CRI/ COLOUR	F INDIRECT LED	GGG CRI/ COLOUR	HHH LENGTH (mm)	I EMERGENCY
QU70	SM SP WM	B W WW A X*	F D DD C	O M	E O X*	827 830 840 8TW 8RW X*	0	827 830 840 X*	0870 1150 1430 1710 1990 2270 2550 2830 X*	E DE

- MOUNTING** 'SM' Surface Mounted, 'SP' Suspended Parallel, 'WM' Wall Mounted
FINISH 'B' Matt Black, 'W' White RAL 9016, 'WW' White RAL 9010, 'A' Anodised Aluminium, 'X' Custom Finish
DRIVER 'F' Fixed Output, 'D' DALI, 'DD' DALI Direct & Indirect, 'C' Casambi control
DIFFUSER 'O' Opal, 'M' MPO
DIRECT LED 'E' High Efficiency 650lm boards, 'O' High Output 1100lm boards, 'X' Custom - specify details alongside code
CRI / COLOUR '827' CRI 80+ Colour 2700K, '830' CRI 80+ Colour 3000K, '840' CRI 80+ Colour 4000K, '8TW' CRI 80+ Tuneable White 2700K-6500K, '8RW' CRI 80+ RGBW LED, 'X' Custom - specify details alongside code
INDIRECT LED 'O' Opteline LED boards, 'X' Custom - specify details alongside code
CRI / COLOUR '827' CRI 80+ Colour 2700K, '830' CRI 80+ Colour 3000K, '840' CRI 80+ Colour 4000K
LENGTH Modular lengths in millimetres, 'X' Specify custom length
EMERGENCY 'E' Standard Integrated Emergency, 'DE' DALI Integrated Emergency

For through-wired continuous modules, specify: 'START', 'MIDDLE', 'END', 'LEFT' or 'RIGHT' to build light systems

STANDARD

Standard fixed option products for quick and easy specification. Point source LED and Linear LED solutions, organised into Track & Spots, Downlights, Recessed, Surface, Suspended and Wall mounted solutions.

MADE-TO-MEASURE

Versatile systems and luminaires with custom specifications for project-specific lighting. Available in custom sizes and lengths, with many options including curves, corners, finishes, integrated accessories and more.

BESPOKE

Bespoke luminaires demonstrating completely custom project solutions, designed with the clients from concept to delivery. Learn about the design process and inspire your next bespoke lighting project.



60 YEARS IN LIGHT

CALL: +44 (0) 1235 55 37 69
 EMAIL: sales@optelma.co.uk
 ISSUE DATE: 03/11/20

HEAD OFFICE

The Science Park
 Abingdon
 Oxfordshire OX14 3YT
 United Kingdom

SHOWROOM

23 Bowling Green Lane
 Clerkenwell
 London EC1R 0BD
 United Kingdom

FRANCE

28 Rue Charles
 Baudelaire
 75012 Paris
 France

SWITZERLAND

St. Urbangasse 53
 Postfach 1738
 CH-4502 Solothurn
 Switzerland