



QUAD CURVE

MADE-TO-MEASURE



KEY FEATURES

- Recessed, Surface, Suspended and Wall mounted profile in custom made-to-measure widths, lengths and radii
- 65mm, 84mm or 100mm deep aluminium sidewall profile
- Direct or Direct-Indirect lighting with PHILIPS Fortimo LED, Helvar Tuneable White, RGBW LED and much more
- Fixed Output, DALI dimmable, DMX or Casambi control
- Integrated 3-hour emergency conversions available
- Matt White, Matt Black and Anodised Aluminium standard finishes, with many more on request including RAL & vinyl
- UGR compliant with up to 136 LL/CW



PHILIPS CASAMBI

**60 YEARS
IN LIGHT**

CALL: +44 (0) 1235 55 37 69
EMAIL: sales@optelma.co.uk
ISSUE DATE: 21/01/20

HEAD OFFICE
The Science Park
Abingdon
Oxfordshire OX14 3YT
United Kingdom

SHOWROOM
23 Bowling Green Lane
Clerkenwell
London EC1R 0BD
United Kingdom

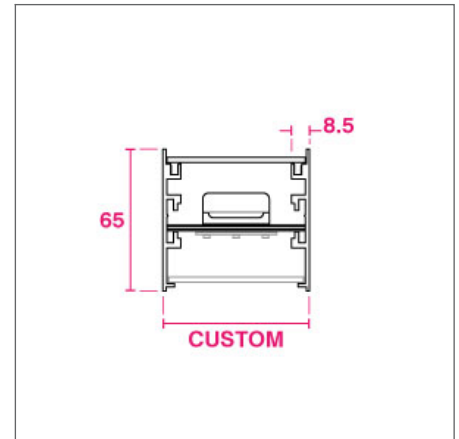
FRANCE
28 Rue Charles
Baudelaire
75012 Paris
France

SWITZERLAND
St. Urbangasse 53
Postfach 1738
CH-4502 Solothurn
Switzerland

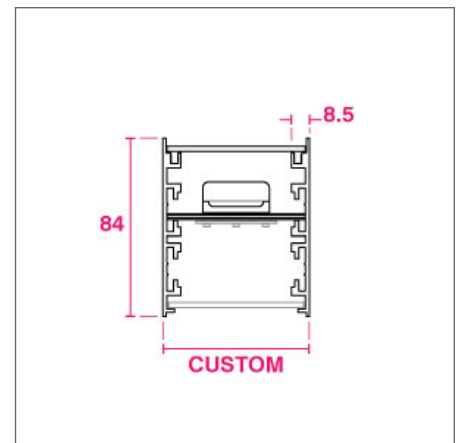
QUAD CURVE SPECIFICATIONS

PRODUCT OPTIONS			
Dimensions (mm):	65, 84 or 100 (H) in custom widths and Made-to-Measure Radii 250mm minimum bending radius*		
Cut-out (mm):	65, 84 or 100 (H) in custom widths and Made-to-Measure Radii		
Weight (kg):	approx 3.0 kg per Metre (varies)		
Lifetime:	50,000 hrs		
Mounting type:	Recessed, Surface, Suspended, Wall Mounted		
Finish:	White (RAL9016), White (RAL9010), Black, Anodised Aluminium		
Emergency:	DALI or Standard 3 hour emergency conversion (30% driver output)		
Operating voltage:	230V		
IP Rating:	IP20		
Light source:	Philips High Efficiency LED [HE]	Philips High Output LED [HO]	
Source Lumens/M:	2275 [4000K]	3850 [4000K]	
Delivered Lumens/M:	1690 [MPO]	1446 [OPAL]	2861 [MPO] 2447 [OPAL]
Power Watts/M:	12.6	21.0	
Driver:	Fixed Output, DALI Dimmable, Casambi control		
Colour temperature:	3000K, 4000K		
Diffuser:	OPAL (LOR 63.55%), MPO (LOR 74.3%)		
CRI:	80+		
Optional Extras: <i>(On request, Lead times will be affected)</i>	Integrated Downlights, CRI90+, Tuneable White, RGB, RGBW, 2700K, 3500K, 5000K, 6000K LED, PIR/Daylight sensors, IP rated up to IP65, alternative finishes.		

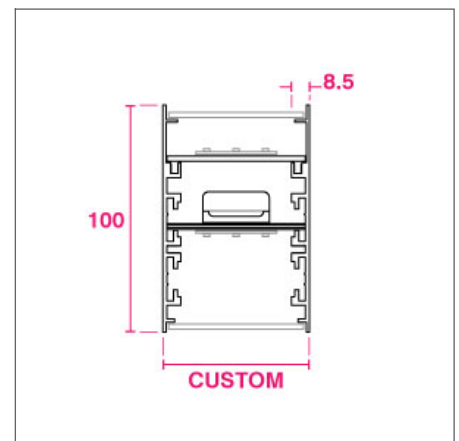
* A tight radius will limit LED source compatibility. Edge-lit solutions offer tighter bending radii.



DIRECT CROSS-SECTION (MM)



DIRECT CROSS-SECTION (MM)



DIRECT-INDIRECT CROSS-SECTION (MM)

CUSTOM LIGHT SOURCES FOR MADE-TO-MEASURE CURVES

Light Source	LED Source Output*	Additional Information
Fortimo LED Square [HE]	1250lm / 7.0W	248 x 260mm area per board
Fortimo LED Square [HO]	2500lm / 13.9W	521 x 260mm area per board
Articulated LED Boards	2496lm/M / 15.7W/M	83 x 50mm tessellating board
Opteline Board 24V LED	1582lm/M / 15.2W/M	50mm cut-points
Helvar Tuneable White	4165lm/M / 21.7W/M	2700K to 6500K
LEE Tuneable White	1887lm/M / 10.5W/M	2700K to 5700K
RGB 24V LED Tape	470lm/M / 15W/M	62.5mm cut-points
RGBW 24V LED Tape	750lm/M / 30.8W/M	62.5mm cut-points
Mini Downlight Ø52	105lm / 4.5W	20°, 38°, 60° beam angles
Integrated 230V Track	Spotlight range online	1-circuit or 3-circuit DALI

* Source lumens output at 4000K. Custom options affect price & lead time. We have 60+ years experience in bespoke/made-to-measure lighting, so if what you want is not listed, please enquire.



**60 YEARS
IN LIGHT**

CALL: +44 (0) 1235 55 37 69
EMAIL: sales@optelma.co.uk
ISSUE DATE: 21/01/20

HEAD OFFICE

The Science Park
Abingdon
Oxfordshire OX14 3YT
United Kingdom

SHOWROOM

23 Bowling Green Lane
Clerkenwell
London EC1R 0BD
United Kingdom




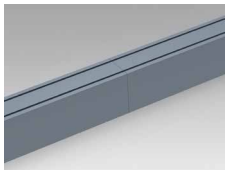
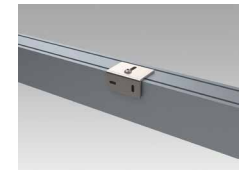
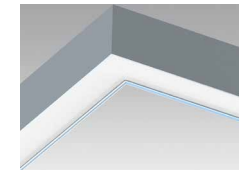
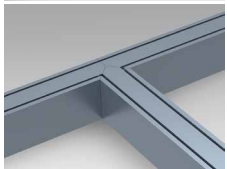







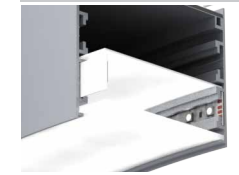
FRANCE

28 Rue Charles
Baudelaire
75012 Paris
France

SWITZERLAND

St. Urbangasse 53
Postfach 1738
CH-4502 Solothurn
Switzerland

QUAD CURVE COMPONENTS

	<p>MATT WHITE Powder-coated Matt White RAL 9016 painted finish.</p>		<p>MATT BLACK Powder-coated Matt Black RAL 9005 painted finish.</p>		<p>ANODISED ALUMINIUM Satin anodised finish (10 microns).</p>
	<p>MECHANICAL COUPLER Flush connections between modules.</p>		<p>CORNICE SUPPORT Fixing bracket for wall mounting the profile.</p>		<p>MITRED CORNER Let continuous light turn corners between 81° and 180°.</p>
	<p>MITRED T-JUNCTION Join more than one linear lighting section.</p>		<p>CHANGE-OF-PLANE Continuous lighting from ceiling to wall.</p>		<p>RGB LIGHTING 24V RGB LED lighting options available.</p>
	<p>INTEGRATED DOWNLIGHTS Fixed miniature downlights.</p>		<p>AREA-LIT SHAPES Construct custom shapes with seamless edge-to-edge lighting.</p>		<p>PIR SENSOR Miniature Passive Infrared sensor for motion detection.</p>
	<p>ARTICULATED LED BOARD Tessellating LED boards for curves.</p>		<p>STRAIGHT SECTIONS Seamless transition between straight and curved sections.</p>		<p>EDGE-LIT LED FOR TIGHTER CURVES To achieve a 350mm min. bending radius utilise edge-lit LED.</p>

INTEGRATED EMERGENCY CONVERSIONS



The integrated Emergency conversion (Standard/DALI) will run the driver at 30% output for 3-hours. The converted drivers output is shared equally across each connected board, illuminating the entire length in emergency mode. This improves uniformity to comply with emergency regulations.

A maximum of 10 boards (2810mm module) can be connected to one emergency conversion kit. Longer lengths will require multiple emergency conversions.

Module lengths	Medium Power Emergency*	High Power Emergency*
850mm	99.45lm	168.3lm
1130mm	99.45lm	168.3lm
1410mm	99.45lm	168.3lm
1690mm	99.45lm	168.3lm
1970mm	99.45lm	168.3lm
2250mm	99.45lm	168.3lm
2530mm	99.45lm	168.3lm
2810mm	99.45lm	168.3lm



**60 YEARS
IN LIGHT**

CALL: +44 (0) 1235 55 37 69
EMAIL: sales@optelma.co.uk
ISSUE DATE: 21/01/20

HEAD OFFICE
The Science Park
Abingdon
Oxfordshire OX14 3YT
United Kingdom

SHOWROOM
23 Bowling Green Lane
Clerkenwell
London EC1R 0BD
United Kingdom

FRANCE
28 Rue Charles
Baudelaire
75012 Paris
France

SWITZERLAND
St. Urbangasse 53
Postfach 1738
CH-4502 Solothurn
Switzerland

QUAD CURVE SPECIFICATION CODE

AAAA - BB/C/D/E - F/GGG - HHHH/I								
AAAA PRODUCT ID	BB MOUNTING	C FINISH	D DRIVER	E DIFFUSER	F DIRECT LED	GGG CRI/ COLOUR	HHH LENGTH (mm)	I EMERGENCY
QC65	RT	B	F	O	E	827	0870	E
QC84	SM	W	D	M	O	830	1150	DE
QC10	SP	WW	C	X*	T	840	1430	
	WM	A	X*		X*	8TW	1710	
		X*				8RW	1990	
						X*	2270	
							2550	
							2830	
							X*	

PRODUCT ID 'QC65' Quad Curve/Sidewall 65, 'QC84' Quad Curve/Sidewall 84, 'QC10' Quad Curve/Sidewall 100
MOUNTING 'RT' Recessed Trimless, 'SM' Surface Mounted, 'SP' Suspended Parallel, 'WM' Wall Mounted
FINISH 'B' Matt Black, 'W' White RAL 9016, 'WW' White RAL 9010, 'A' Anodised Aluminium, 'X*' Custom Finish
DRIVER 'F' Fixed Output, 'D' DALI, 'C' Casambi control, 'X*' Custom control solution
DIFFUSER 'O' Opal, 'M' MPO, 'X*' Custom diffuser
DIRECT LED 'E' High Efficiency 650lm boards, 'O' High Output 1100lm boards, 'T' Tuneable White LED, 'X*' Custom LED
CRI / COLOUR '827' CRI 80+ Colour 2700K, '830' CRI 80+ Colour 3000K, '840' CRI 80+ Colour 4000K, '8TW' CRI 80+ Tuneable White 2700K-6500K, '8RW' CRI 80+ RGBW LED, 'X*' Custom LED
LENGTH Modular lengths in millimetres, 'X*' Specify custom length
EMERGENCY 'E' Standard Integrated Emergency, 'DE' DALI Integrated Emergency

*For all custom options, specify details alongside code. I.e: 'BRONZE Finish', 'DMX Driver', 'RGBW LED', etc.

STANDARD

Standard fixed option products for quick and easy specification. Point source LED and Linear LED solutions, organised into Track & Spots, Downlights, Recessed, Surface, Suspended and Wall mounted solutions.

MADE-TO-MEASURE

Versatile systems and luminaires with custom specifications for project-specific lighting. Available in custom sizes and lengths, with many options including curves, corners, finishes, integrated accessories and more.

BESPOKE

Bespoke luminaires demonstrating completely custom project solutions, designed with the clients from concept to delivery. Learn about the design process and inspire your next bespoke lighting project.



**60 YEARS
IN LIGHT**

CALL: +44 (0) 1235 55 37 69

EMAIL: sales@optelma.co.uk

ISSUE DATE: 21/01/20

HEAD OFFICE

The Science Park
Abingdon
Oxfordshire OX14 3YT
United Kingdom

SHOWROOM

23 Bowling Green Lane
Clerkenwell
London EC1R 0BD
United Kingdom

FRANCE

28 Rue Charles
Baudelaire
75012 Paris
France

SWITZERLAND

St. Urbangasse 53
Postfach 1738
CH-4502 Solothurn
Switzerland