



CAN SUSPENDED

PENDANT



KEY FEATURES

- Suspended cylindrical pendant in 215mm or 500mm lengths
- Direct lighting with CRI90 Eco LED or CRI97 Artist LED
- Choice of beam angles including 10°, 20°, 35° and 50°
- 20W or 30W Engines providing up to 2870lm
- Colour temperatures include 2700K, 3000K and 4000K
- Integrated Fixed Output (Switchable) or DALI driver
- Aluminium housing coated in a White, Black or Silver finish, with reflector rings in White, Black, Silver or Gold finish
- Honeycomb Louver and Prismatic Lens antiglare accessories



60 YEARS
IN LIGHT

CALL: +44 (0) 1235 55 37 69

EMAIL: sales@optelma.co.uk

ISSUE DATE: 21/01/20

HEAD OFFICE

The Science Park
Abingdon
Oxfordshire OX14 3YT
United Kingdom

SHOWROOM

23 Bowling Green Lane
Clerkenwell
London EC1R 0BD
United Kingdom

FRANCE

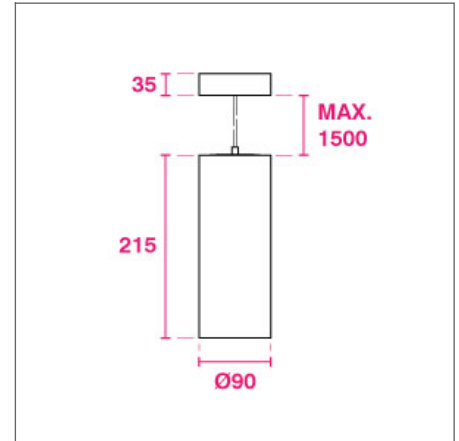
28 Rue Charles
Baudelaire
75012 Paris
France

SWITZERLAND

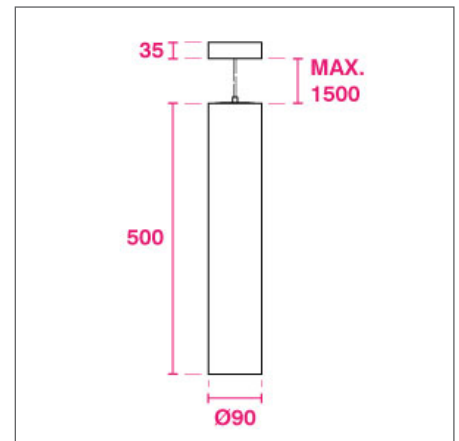
St. Urbangasse 53
Postfach 1738
CH-4502 Solothurn
Switzerland

CAN SUSPENDED SPECIFICATIONS

PRODUCT OPTIONS	
Dimensions (mm):	90 (Ø) x 215 (H) or 90 (Ø) x 500 (H)
Cut-out (mm):	N/A
Weight (kg):	<1.5 kg
Lifetime:	50,000 hrs
Mounting type:	Suspended
Finish:	Black, White, Silver, Satin Gold, Copper
Emergency:	Remote 3-hour emergency conversion on request
Operating voltage:	230V
IP Rating:	IP20
Light source:	Low Power LED, Medium Power LED
Driver:	Fixed Output (Switched), DALI
Colour temperature:	2700K, 3000K, 4000K
Beam Angle:	10°, 20°, 35°, 50°
Diffuser:	Clear Cover (standard)
CRI:	Eco LED CRI 90+, Artist LED CRI 97+
Optional Extras:	Antiglare accessories: Honeycomb louver or Prismatic lens Reflector ring finishes: White, Black, Silver, Gold



CROSS-SECTION DIMENSIONS (MM)

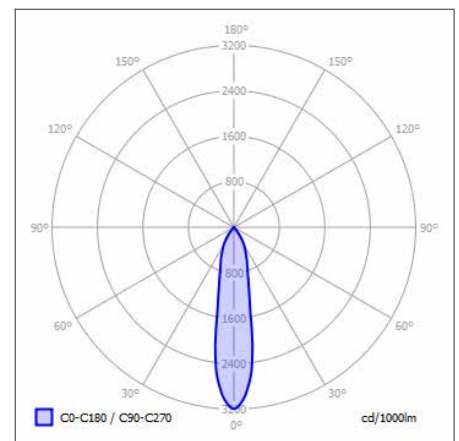


LONG BODY CROSS-SECTION (MM)

CHOOSE A PROJECT SPECIFIC SOLUTION FROM THE FOLLOWING OUTPUTS

LED Light Source*	Power	Output 10°	Output 20°	Output 35°	Output 50°
Eco Low Power	20 W	1440 lm	1850 lm	1790 lm	1680 lm
Eco Medium Power	31 W	2020 lm	2870 lm	2780 lm	2710 lm
Artist Low Power	21 W	1190 lm	1510 lm	1470 lm	1430 lm
Artist Medium Power	33 W	1560 lm	2220 lm	2160 lm	2140 lm

* LED Lumen outputs at 4000K.



POLAR CURVE 20° 4000K ECO Low Power



60 YEARS
IN LIGHT

CALL: +44 (0) 1235 55 37 69
EMAIL: sales@optelma.co.uk
ISSUE DATE: 21/01/20

HEAD OFFICE
The Science Park
Abingdon
Oxfordshire OX14 3YT
United Kingdom

SHOWROOM
23 Bowling Green Lane
Clerkenwell
London EC1R 0BD
United Kingdom

FRANCE
28 Rue Charles
Baudelaire
75012 Paris
France

SWITZERLAND
St. Urbangasse 53
Postfach 1738
CH-4502 Solothurn
Switzerland

CAN SUSPENDED COMPONENTS



BLACK + BLACK REFLECTOR
Black coated aluminium with a black reflector ring.



WHITE + BLACK REFLECTOR
White coated aluminium with a black reflector ring.



HONEYCOMB LOUVER
Honeycomb Louver antiglare accessory.



OPTIC REMOVAL TOOL
Optic removal tool for fitting chosen accessories.



WHITE + WHITE REFLECTOR
White coated aluminium with a white reflector ring.



WHITE + GOLD REFLECTOR
White coated aluminium with a gold reflector ring.



PRISMATIC LENS
Prismatic lens antiglare accessory.



SILVER + SILVER REFLECTOR
Silver coated aluminium with a silver reflector ring.



BLACK + GOLD REFLECTOR
Black coated aluminium with a gold reflector ring.



DICHROIC FILTERS
Dichroic colour-correction filters for meat or bread.



**60 YEARS
IN LIGHT**

CALL: +44 (0) 1235 55 37 69
EMAIL: sales@optelma.co.uk
ISSUE DATE: 21/01/20

HEAD OFFICE
The Science Park
Abingdon
Oxfordshire OX14 3YT
United Kingdom

SHOWROOM
23 Bowling Green Lane
Clerkenwell
London EC1R 0BD
United Kingdom

FRANCE
28 Rue Charles
Baudelaire
75012 Paris
France

SWITZERLAND
St. Urbangasse 53
Postfach 1738
CH-4502 Solothurn
Switzerland

CAN SUSPENDED SPECIFICATION CODE

AAAA - BB/C/D/E - F/GGG - HHHH/I								
AAAA PRODUCT ID	BB MOUNTING	C FINISH	D DRIVER	E BEAM ANGLE	F DIRECT LED	GGG CRI/ COLOUR	HHH DIAMETER/ SIZE (mm)	I EMERGENCY
CANP	SU SL	B W S G C X*	F D	T S M F	EL EM AL AM	927 930 940	90	N/A

- * **X** Custom Options - specify details alongside code
- MOUNTING **SU** Suspended, **SL** Suspended Long-body 500mm
- FINISH **B** Black, **W** White, **S** Silver, **G** Satin Gold, **C** Copper
- DRIVER **F** Fixed Output, **D** DALI
- BEAM ANGLE **T** 10° Tight Spot, **S** 20° Spot, **M** 35° Medium, **F** 50° Flood
- DIRECT LED **EL** Eco (CRI90) Low power 20W, **EM** Eco (CRI90) Medium power 31W, **AL** Artist (CRI97) Low power 21W, **AM** Artist (CRI97) Medium power 33W,
- CRI / COLOUR **927** CRI 90+ Colour 2700K, **930** CRI 90+ Colour 3000K, **940** CRI 90+ Colour 4000K
- DIAMETER / SIZE Luminaire diameter in millimetres
- EMERGENCY Options available on request - specify details alongside code

For contrasting reflector ring finishes specify details alongside code:
+WHITE / +BLACK / +GOLD / +SILVER

STANDARD

Standard fixed option products for quick and easy specification. Point source LED and Linear LED solutions, organised into Track & Spots, Downlights, Recessed, Surface, Suspended and Wall mounted solutions.

MADE-TO-MEASURE

Versatile systems and luminaires with custom specifications for project-specific lighting. Available in custom sizes and lengths, with many options including curves, corners, finishes, integrated accessories and more.

BESPOKE

Bespoke luminaires demonstrating completely custom project solutions, designed with the clients from concept to delivery. Learn about the design process and inspire your next bespoke lighting project.



60 YEARS IN LIGHT

CALL: +44 (0) 1235 55 37 69
EMAIL: sales@optelma.co.uk
ISSUE DATE: 21/01/20

HEAD OFFICE

The Science Park
Abingdon
Oxfordshire OX14 3YT
United Kingdom

SHOWROOM

23 Bowling Green Lane
Clerkenwell
London EC1R 0BD
United Kingdom

FRANCE

28 Rue Charles
Baudelaire
75012 Paris
France

SWITZERLAND

St. Urbangasse 53
Postfach 1738
CH-4502 Solothurn
Switzerland