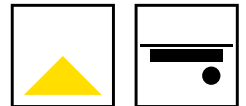


AXIA

TRACK SPOTLIGHT



KEY FEATURES

- AXIA Track mounted spotlight with 360° rotation
- PHILIPS SLM Premium White LED chips with integral driver
- Lumen outputs from 1442lm to 3932lm
- 20° Spot, 40° Medium and 60° Flood
- 3000K, 3500K and 4000K colour temperatures
- Fixed Output or DALI Dimming options
- Honeycomb, Ring and Cone anti-glare accessories
- Matt White or Matt Black finishes, with custom on request



PHILIPS



**60 YEARS
IN LIGHT**

FOR MORE INFORMATION OR TO TALK ABOUT A PROJECT:

CALL: +44 (0) 1235 55 37 69
EMAIL: sales@optelma.co.uk

ISSUE DATE: 11/09/20

HEAD OFFICE
The Science Park
Abingdon
Oxfordshire
OX14 3YT

SHOWROOM
23 Bowling Green Lane
Clerkenwell
London
EC1R 0BD

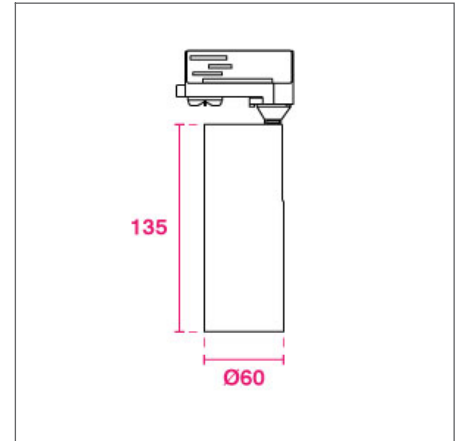
PARIS OFFICE
28 Rue Charles
Baudelaire
75012 Paris
France

SWISS OFFICE
St. Urbangasse 53
Postfach 1738
CH-4502 Solothurn
Switzerland

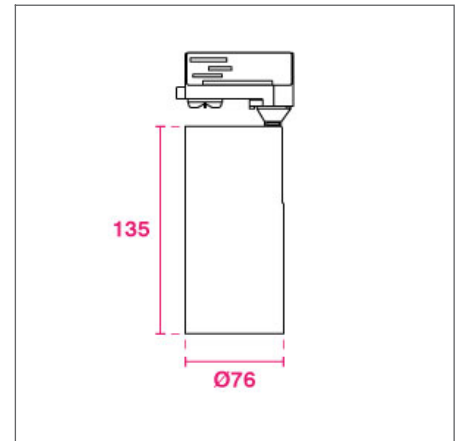
AXIA TRACKSPOT SPECIFICATIONS

PRODUCT OPTIONS	
Dimensions (mm):	Ø60 x 135 (H), Ø76 x 135 (H), Ø90 x 135 (H)
Lifetime:	50,000 hrs
Mounting type:	Track Mounted*
Finish:	Matt White, Matt Black
Emergency:	Separate track mounted luminaire available on request
Operating voltage:	230V
IP Rating:	IP20
Light source:	Philips SLM Premium White LED
Driver:	Fixed Output, DALI
Colour temperature:	3000K, 3500K, 4000K
Beam Angle:	20° Spot, 40° Medium, 60° Flood
CRI:	CRI 90+
Optional Extras:	Anti-glare accessories: Honeycomb, Ring, Cone

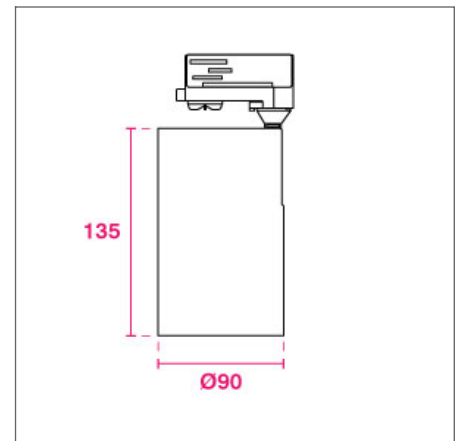
* Choose from our 1 Circuit and 3 Circuit 230V Track options online. Specify with a separate code.



PICA Ø60 DIMENSIONS (MM)



PICA Ø76 DIMENSIONS (MM)



PICA Ø90 DIMENSIONS (MM)

CUSTOMISE YOUR LIGHTING SPECIFICATIONS WITH OUR RANGE OF LED SOURCES

LED Source	Output (lm)*	Power (W)	Output (mA)
AXIA Ø60 Low	1442 lm	12.0 W	350 mA
AXIA Ø60 Medium	1618 lm	13.8 W	400 mA
AXIA Ø60 High	1785 lm	15.7 W	450 mA
AXIA Ø76 Low	2460 lm	16.4 W	500 mA
AXIA Ø76 Medium	2681 lm	18.2 W	550 mA
AXIA Ø76 High	2899 lm	20.0 W	600 mA
AXIA Ø76 Extra High	3112 lm	21.8 W	650 mA
AXIA Ø90 Low	3322 lm	23.6 W	700 mA
AXIA Ø90 Medium	3529 lm	25.4 W	750 mA
AXIA Ø90 High	3732 lm	27.3 W	800 mA
AXIA Ø90 Extra High	3932 lm	29.2 W	850 mA

* Luminaire source lumens at 4000K



**60 YEARS
IN LIGHT**

FOR MORE INFORMATION OR TO TALK ABOUT A PROJECT:

CALL: +44 (0) 1235 55 37 69
EMAIL: sales@optelma.co.uk
ISSUE DATE: 11/09/20

HEAD OFFICE
The Science Park
Abingdon
Oxfordshire
OX14 3YT

SHOWROOM
23 Bowling Green Lane
Clerkenwell
London
EC1R 0BD

PARIS OFFICE
28 Rue Charles
Baudelaire
75012 Paris
France

SWISS OFFICE
St. Urbangasse 53
Postfach 1738
CH-4502 Solothurn
Switzerland

AXIA TRACKSPOT COMPONENTS



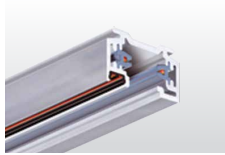
**PHILIPS SLM
PREMIUM WHITE
LED**

The Philips Fortimo LED range, CRI 90.



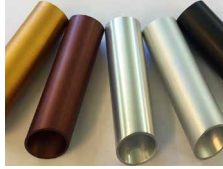
CONE ANTI-GLARE

Anti-glare accessory.
Specification Code:
+C



1 CIRCUIT TRACK

Surface Mounted or
Suspended 230V
One Circuit Track.



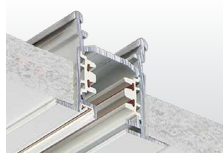
**ALTERNATIVE
FINISHES**

Alternative Anodised
and RAL painted
finishes on request.



RING ANTI-GLARE

Anti-glare accessory.
Specification Code:
+R



3 CIRCUIT TRACK

Recessed Trim 230V
Three Circuit Track.

CASAMBI



**ALTERNATE
CONTROL TECH**

Casambi, Zigbee or
BLL integrated on
request.



**HONEYCOMB
ANTI-GLARE**

Anti-glare accessory.
Specification Code:
+H



3 CIRCUIT TRACK

Surface Mounted or
Suspended 230V
Three Circuit Track.



**FOR MORE INFORMATION
OR TO TALK ABOUT A PROJECT:**

CALL: +44 (0) 1235 55 37 69
EMAIL: sales@optelma.co.uk

ISSUE DATE: 11/09/20

HEAD OFFICE
The Science Park
Abingdon
Oxfordshire
OX14 3YT

SHOWROOM
23 Bowling Green Lane
Clerkenwell
London
EC1R 0BD

PARIS OFFICE
28 Rue Charles
Baudelaire
75012 Paris
France

SWISS OFFICE
St. Urbangasse 53
Postfach 1738
CH-4502 Solothurn
Switzerland

**60 YEARS
IN LIGHT**

AXIA TRACKSPOT SPECIFICATION CODE

AAAA - BB/C/D/E - F/GGG - HHH/I								
AAAA PRODUCT ID	BB MOUNTING	C FINISH	D DRIVER	E BEAM ANGLE	F DIRECT LED	GGG CRI/ COLOUR	HHH DIAMETER/ SIZE (mm)	I EMERGENCY
AXIA	SM TM	B W X*	F D	S M F	L M H X	930 935 940	060 076 090	E

- * **X** Custom Options - specify details alongside code
- PRODUCT ID **AXIA** AXIA Trackspot
- MOUNTING **TM** Track Mounted - choose track product separately
- FINISH **B** Matt Black, **W** Matt White
- DRIVER **F** Fixed Output, **D** DALI dimmable
- BEAM ANGLE **S** 20° Spot, **M** 40° Medium, **F** 60° Flood
- DIRECT LED **L** Low power, **M** Medium power, **H** High power, **X** Extra High power
- CRI / COLOUR **930** CRI 90+ Colour 3000K, **935** CRI 90+ Colour 3500K, **940** CRI 90+ Colour 4000K
- DIAMETER / SIZE Spot diameter in millimetres
- EMERGENCY **E** Separate Emergency Module

Specify anti-glare accessories alongside code:

+C Cone Anti-Glare, **+R** Ring Anti-Glare, **+H** Honeycomb Anti-Glare

STANDARD

Standard fixed option products for quick and easy specification. Point source LED and Linear LED solutions, organised into Track & Spots, Downlights, Recessed, Surface, Suspended and Wall mounted solutions.

MADE-TO-MEASURE

Versatile systems and luminaires with custom specifications for project-specific lighting. Available in custom sizes and lengths, with many options including curves, corners, finishes, integrated accessories and more.

BESPOKE

Bespoke luminaires demonstrating completely custom project solutions, designed with the clients from concept to delivery. Learn about the design process and inspire your next bespoke lighting project.



**60 YEARS
IN LIGHT**

FOR MORE INFORMATION OR TO TALK ABOUT A PROJECT:

CALL: +44 (0) 1235 55 37 69
EMAIL: sales@optelma.co.uk

ISSUE DATE: 11/09/20

HEAD OFFICE
The Science Park
Abingdon
Oxfordshire
OX14 3YT

SHOWROOM
23 Bowling Green Lane
Clerkenwell
London
EC1R 0BD

PARIS OFFICE
28 Rue Charles
Baudelaire
75012 Paris
France

SWISS OFFICE
St. Urbangasse 53
Postfach 1738
CH-4502 Solothurn
Switzerland