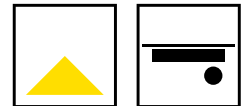


NIKO 48V

TRACK SPOTLIGHT



KEY FEATURES

- Track mounted 48V spotlight with 360° rotation
- XICATO Artist LED with a 2-step MacAdam CRI of 95+
- Lumen outputs from 700lm to 2000lm
- 10° Tightspot, 20° Spot, 40° Medium and 60° Flood
- 2700K, 3000K, 3500K and 4000K colour temperatures
- Fixed Output, 1-10V and DALI Dimming options
- Antiglare accessories including Honeycomb, Ring, Cone & 'NIKO-B' anti-glare hood
- Matt White, Matt Black finishes



XICATO

**60 YEARS
IN LIGHT**

CALL: +44 (0) 1235 55 37 69
EMAIL: sales@optelma.co.uk

ISSUE DATE: 20/11/20

HEAD OFFICE

The Science Park
Abingdon
Oxfordshire OX14 3YT
United Kingdom

SHOWROOM

23 Bowling Green Lane
Clerkenwell
London EC1R 0BD
United Kingdom

FRANCE

28 Rue Charles
Baudelaire
75012 Paris
France

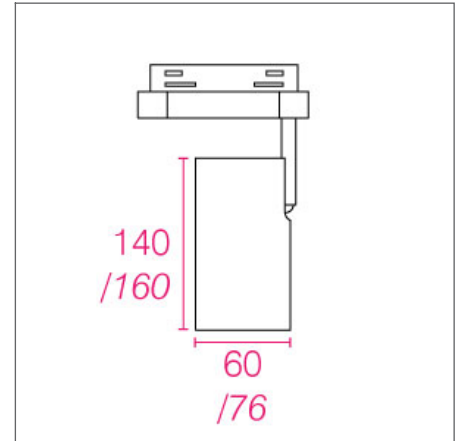
SWITZERLAND

St. Urbangasse 53
Postfach 1738
CH-4502 Solothurn
Switzerland

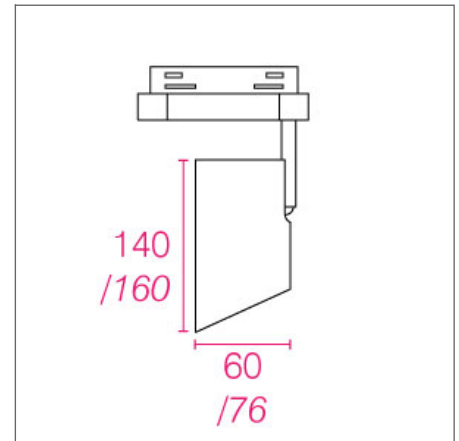
NIKO 48V TRACKSPOT SPECIFICATIONS

PRODUCT OPTIONS	
Dimensions (mm):	Low/Medium power: 60 (D) x 140 (H) <i>High power: 76 (D) x 160 (H)</i>
Lifetime:	50,000 hrs
Mounting type:	Track Mounted (Surface Mounted, Suspended*)
Finish:	Matt White, Matt Black
Emergency:	N/A
Operating voltage:	48V
IP Rating:	IP20
Light source:	XICATO Artist LED
Driver:	Fixed Output, 1-10V, DALI
Colour temperature:	2700K, 3000K, 3500K, 4000K
Beam Angle:	10° Tight Spot, 20° Spot, 40° Medium, 60° Flood
CRI:	CRI 95+
Optional Extras:	Anti-glare accessories: Honeycomb, Ring, Cone, NIKO-B hood

* Choose from our 48V Track options online. Specify with a separate code.



NIKO DIMENSIONS (MM)

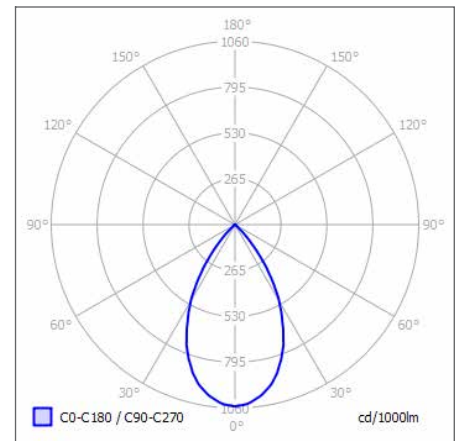


NIKO-B DIMENSIONS (MM)

CUSTOMISE YOUR LIGHTING SPECIFICATIONS WITH OUR RANGE OF LED SOURCES

LED Source	Output (lm)*	Power (W)	Dimensions (mm)
Xicato Low Power	700 lm	11.7 W	60(D) x 140(H)
Xicato Medium Power	1300 lm	16.2 W	60(D) x 140(H)
Xicato High Power	2000 lm	24.2 W	76(D) x 160(H)

* Luminaire source lumens at 4000K



POLAR CURVE 4000K 60°



XICATO

**60 YEARS
IN LIGHT**

CALL: +44 (0) 1235 55 37 69
EMAIL: sales@optelma.co.uk
ISSUE DATE: 20/11/20

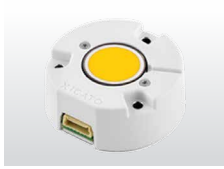
HEAD OFFICE
The Science Park
Abingdon
Oxfordshire OX14 3YT
United Kingdom

SHOWROOM
23 Bowling Green Lane
Clerkenwell
London EC1R 0BD
United Kingdom

FRANCE
28 Rue Charles
Baudelaire
75012 Paris
France

SWITZERLAND
St. Urbangasse 53
Postfach 1738
CH-4502 Solothurn
Switzerland

NIKO 48V TRACKSPOT COMPONENTS



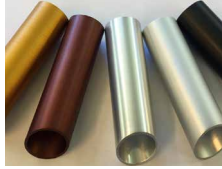
XICATO XIM LED
The Xicato Artist XIM LED range, CRI 95.



CONE ANTI-GLARE
Anti-glare accessory.
Specification Code: +C



LED-TRAC 48V TRACK
Surface Mounted or Suspended 48V Lighting Track.



ALTERNATIVE FINISHES
Alternative Anodised and RAL painted finishes on request.



RING ANTI-GLARE
Anti-glare accessory.
Specification Code: +R



NIKO-B ANTI-GLARE HOOD
Anti-glare accessory.
Specification Code: +B



HONEYCOMB ANTI-GLARE
Anti-glare accessory.
Specification Code: +H



XICATO

**60 YEARS
IN LIGHT**

CALL: +44 (0) 1235 55 37 69
EMAIL: sales@optelma.co.uk
ISSUE DATE: 20/11/20

HEAD OFFICE
The Science Park
Abingdon
Oxfordshire OX14 3YT
United Kingdom

SHOWROOM
23 Bowling Green Lane
Clerkenwell
London EC1R 0BD
United Kingdom

FRANCE
28 Rue Charles
Baudelaire
75012 Paris
France

SWITZERLAND
St. Urbangasse 53
Postfach 1738
CH-4502 Solothurn
Switzerland

NIKO 48V TRACKSPOT SPECIFICATION CODE

AAAA - BB/C/D/E - F/GGG - HHH/I								
AAAA PRODUCT ID	BB MOUNTING	C FINISH	D DRIVER	E BEAM ANGLE	F DIRECT LED	GGG CRI/ COLOUR	HHH DIAMETER/ SIZE (mm)	I EMERGENCY
NIKO	TM	B W	F 1 D	T S M F	L M H	927 930 935 940	060 076	E

- * **X** Custom Options - specify details alongside code
- PRODUCT ID **NI95** NIKO Trackspot
- MOUNTING **TM** Track Mounted - choose track product separately
- FINISH **B** Matt Black, **W** Matt White
- DRIVER **F** Fixed Output, **1** 1-10V, **D** DALI
- BEAM ANGLE **T** 10° Tight Spot, **S** 20° Spot, **M** 40° Medium, **F** 60° Flood
- DIRECT LED **L** Low power 700lm, **M** Medium power 1300lm, **H** High power 2000lm
- CRI / COLOUR **927** CRI 90+ Colour 2700K, **930** CRI 90+ Colour 3000K, **935** CRI 90+ Colour 3500K, **940** CRI 90+ Colour 4000K
- DIAMETER / SIZE Spot diameter in millimetres
- EMERGENCY **E** Separate Emergency Module

Specify anti-glare accessories alongside code:

+C Cone Anti-Glare, **+R** Ring Anti-Glare, **+H** Honeycomb Anti-Glare, **+B** NIKO-B Anti-Glare Hood

STANDARD

Standard fixed option products for quick and easy specification. Point source LED and Linear LED solutions, organised into Track & Spots, Downlights, Recessed, Surface, Suspended and Wall mounted solutions.

MADE-TO-MEASURE

Versatile systems and luminaires with custom specifications for project-specific lighting. Available in custom sizes and lengths, with many options including curves, corners, finishes, integrated accessories and more.

BESPOKE

Bespoke luminaires demonstrating completely custom project solutions, designed with the clients from concept to delivery. Learn about the design process and inspire your next bespoke lighting project.



XICATO

**60 YEARS
IN LIGHT**

CALL: +44 (0) 1235 55 37 69
EMAIL: sales@optelma.co.uk

ISSUE DATE: 20/11/20

HEAD OFFICE

The Science Park
Abingdon
Oxfordshire OX14 3YT
United Kingdom

SHOWROOM

23 Bowling Green Lane
Clerkenwell
London EC1R 0BD
United Kingdom

FRANCE

28 Rue Charles
Baudelaire
75012 Paris
France

SWITZERLAND

St. Urbangasse 53
Postfach 1738
CH-4502 Solothurn
Switzerland