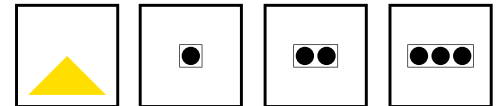




# KARMA

## DOWNLIGHT



### KEY FEATURES

- Recessed and Trimless Recessed mounting
- Adjustable single-hinge 90° drop down with 360° rotation
- XICATO Artist or PHILIPS Premium White LED chips
- Lumen outputs from 1300lm to 3095lm
- 20° Spot, 40° Medium and 60° Flood beam angles
- 2700K, 3000K, 3500K and 4000K colour temperatures
- Fixed Output, 1-10V, DALI Dimming or Casambi control
- Honeycomb, Ring and Cone anti-glare accessories
- Matt White, Matt Black and Anodised Aluminium finishes



**XICATO PHILIPS CASAMBI**

**60 YEARS  
IN LIGHT**

CALL: +44 (0) 1235 55 37 69  
EMAIL: sales@optelma.co.uk

ISSUE DATE: 23/11/20

#### HEAD OFFICE

The Science Park  
Abingdon  
Oxfordshire OX14 3YT  
United Kingdom

#### SHOWROOM

23 Bowling Green Lane  
Clerkenwell  
London EC1R 0BD  
United Kingdom

#### FRANCE

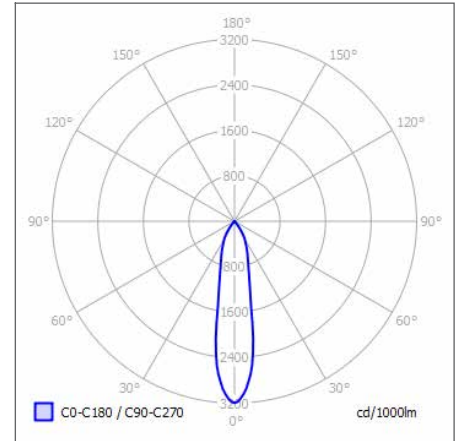
28 Rue Charles  
Baudelaire  
75012 Paris  
France

#### SWITZERLAND

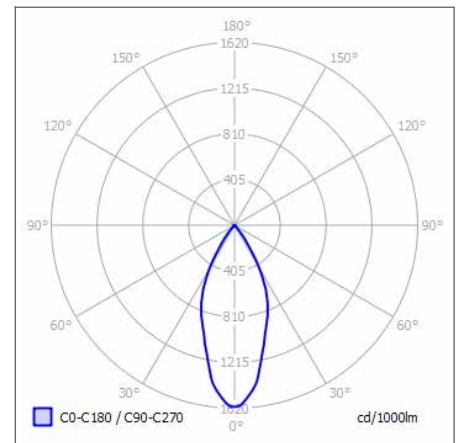
St. Urbangasse 53  
Postfach 1738  
CH-4502 Solothurn  
Switzerland

## KARMA DOWNLIGHT SPECIFICATIONS

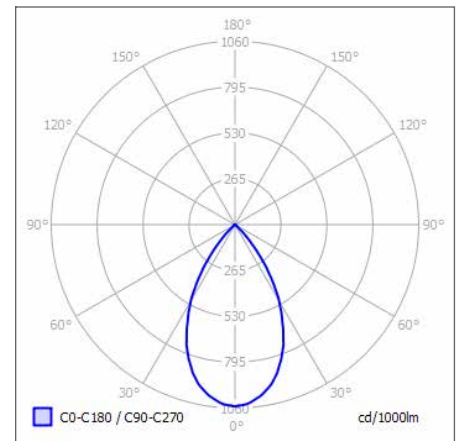
PRODUCT OPTIONS	
Dimensions (mm):	Various Sizes (see table below)
Lifetime:	50,000 hrs
Mounting type:	Recessed, Recessed Trimless
Finish:	Matt White, Matt Black, Anodised Aluminium
Emergency:	DALI or Standard Remote 3-hour Battery with indicator LED
Operating voltage:	230V
IP Rating:	IP20
Light source:	Xicato Artist LED, Philips Premium White LED
Driver:	Fixed Output, 1-10V, DALI, Casambi
Colour temperature:	2700K, 3000K, 3500K, 4000K
Beam Angle:	10° Tight Spot, 20° Spot, 40° Medium, 60° Flood
CRI:	Xicato Artist CRI 95+, Philips CRI 90+
Optional Extras:	Anti-glare accessories: Honeycomb, Ring, Cone



POLAR CURVE 4000K - 20°



POLAR CURVE 4000K - 40°



POLAR CURVE 4000K - 60°

### SELECT A PROJECT SPECIFIC LIGHT OUTPUT

RECESSED WITH TRIM			
Light Source	Output lm / W *	L x W x H (mm)	Cut-out (mm)
1 x Xicato LED	1300 lm / 13.3 W	170 x 170 x 80	150 x 150
1 x Xicato LED	2000 lm / 20.0 W	170 x 170 x 80	150 x 150
1 x Philips LED	1653 lm / 11.4 W	170 x 170 x 80	150 x 150
1 x Philips LED	2298 lm / 16.5 W	170 x 170 x 80	150 x 150
1 x Philips LED	3095 lm / 23.7 W	170 x 170 x 80	150 x 150
2 x Xicato LED	1300 lm / 13.3 W	300 x 170 x 80	280 x 150
2 x Xicato LED	2000 lm / 20.0 W	300 x 170 x 80	280 x 150
2 x Philips LED	1653 lm / 11.4 W	300 x 170 x 80	280 x 150
2 x Philips LED	2298 lm / 16.5 W	300 x 170 x 80	280 x 150
2 x Philips LED	3095 lm / 23.7 W	300 x 170 x 80	280 x 150
3 x Xicato LED	1300 lm / 13.3 W	430 x 170 x 80	410 x 150
3 x Xicato LED	2000 lm / 20.0 W	430 x 170 x 80	410 x 150
3 x Philips LED	1653 lm / 11.4 W	430 x 170 x 80	410 x 150
3 x Philips LED	2298 lm / 16.5 W	430 x 170 x 80	410 x 150
3 x Philips LED	3095 lm / 23.7 W	430 x 170 x 80	410 x 150

\* Luminaire source lumens at 4000K.



**XICATO PHILIPS CASAMBI**

**60 YEARS  
IN LIGHT**

CALL: +44 (0) 1235 55 37 69

EMAIL: sales@optelma.co.uk

ISSUE DATE: 23/11/20

**HEAD OFFICE**

The Science Park  
Abingdon  
Oxfordshire OX14 3YT  
United Kingdom

**SHOWROOM**

23 Bowling Green Lane  
Clerkenwell  
London EC1R 0BD  
United Kingdom

**FRANCE**

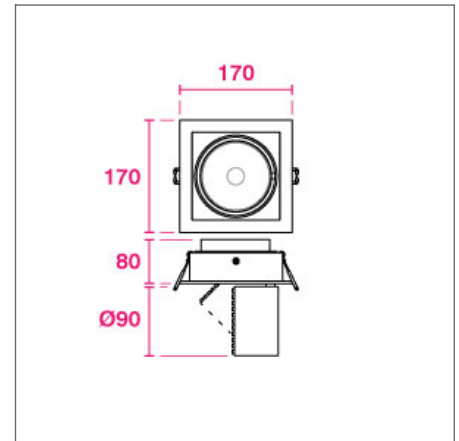
28 Rue Charles  
Baudelaire  
75012 Paris  
France

**SWITZERLAND**

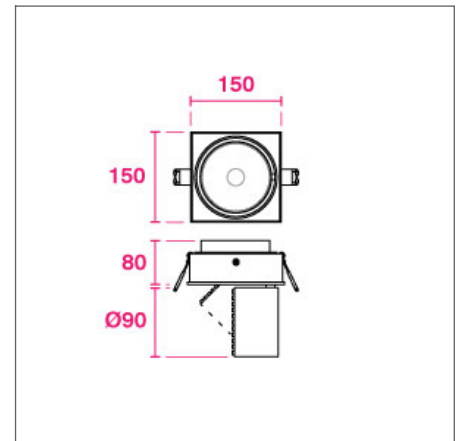
St. Urbangasse 53  
Postfach 1738  
CH-4502 Solothurn  
Switzerland

RECESSED TRIMLESS			
Light Source	Output lm / W *	L x W x H (mm)	Cut-out (mm)
1 x Xicato LED	1300 lm / 13.3 W	150 x 150 x 80	152 x 152
1 x Xicato LED	2000 lm / 20.0 W	150 x 150 x 80	152 x 152
1 x Philips LED	1653 lm / 11.4 W	150 x 150 x 80	152 x 152
1 x Philips LED	2298 lm / 16.5 W	150 x 150 x 80	152 x 152
1 x Philips LED	3095 lm / 23.7 W	150 x 150 x 80	152 x 152
2 x Xicato LED	1300 lm / 13.3 W	293 x 150 x 80	295 x 152
2 x Xicato LED	2000 lm / 20.0 W	293 x 150 x 80	295 x 152
2 x Philips LED	1653 lm / 11.4 W	293 x 150 x 80	295 x 152
2 x Philips LED	2298 lm / 16.5 W	293 x 150 x 80	295 x 152
2 x Philips LED	3095 lm / 23.7 W	293 x 150 x 80	295 x 152
3 x Xicato LED	1300 lm / 13.3 W	436 x 150 x 80	438 x 152
3 x Xicato LED	2000 lm / 20.0 W	436 x 150 x 80	438 x 152
3 x Philips LED	1653 lm / 11.4 W	436 x 150 x 80	438 x 152
3 x Philips LED	2298 lm / 16.5 W	436 x 150 x 80	438 x 152
3 x Philips LED	3095 lm / 23.7 W	436 x 150 x 80	438 x 152

\* Luminaire source lumens at 4000K.

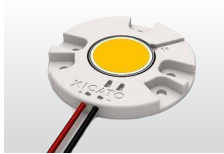


DIMENSIONS KARMA 1 (MM)

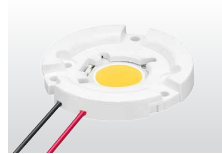


DIMENSIONS KARMA 1 TRIMLESS (MM)

## KARMA DOWNLIGHT COMPONENTS



**XICATO XTM LED**  
The Xicato Artist LED range, CRI 95.



**PHILIPS SLM LED**  
The Philips Fortimo LED range, CRI 90.



**PREMIUM DRIVERS**  
Fixed Output, 1-10V and DALI drivers.



**CONE ANTI-GLARE**  
Anti-glare accessory. Specification Code: +C



**RING ANTI-GLARE**  
Anti-glare accessory. Specification Code: +R



**HONEYCOMB ANTI-GLARE**  
Anti-glare accessory. Specification Code: +H



**XICATO PHILIPS CASAMBI**

**60 YEARS  
IN LIGHT**

CALL: +44 (0) 1235 55 37 69  
EMAIL: sales@optelma.co.uk  
ISSUE DATE: 23/11/20

**HEAD OFFICE**  
The Science Park  
Abingdon  
Oxfordshire OX14 3YT  
United Kingdom

**SHOWROOM**  
23 Bowling Green Lane  
Clerkenwell  
London EC1R 0BD  
United Kingdom

**FRANCE**  
28 Rue Charles  
Baudelaire  
75012 Paris  
France

**SWITZERLAND**  
St. Urbangasse 53  
Postfach 1738  
CH-4502 Solothurn  
Switzerland

## KARMA DOWNLIGHT SPECIFICATION CODE

AAAA - BB/C/D/E - F/GGG - HHH/I								
AAAA PRODUCT ID	BB MOUNTING	C FINISH	D DRIVER	E BEAM ANGLE	F DIRECT LED	GGG CRI/ COLOUR	HHH DIAMETER/ SIZE (mm)	I EMERGENCY
KAX1	RE	B	F	T	L	927	075	E
KAX2	RT	W	D	S	M	930		DE
KAX3		A	1	M	H	935		
KAP1		X*	S	F	X*	940		
KAP2			C					
KAP3								

- \* **X** Custom Options - specify details alongside code
- PRODUCT ID **'KAX1'** Karma (Xicato LED) Single, **'KAX2'** Karma (Xicato LED) Double, **'KAX3'** Karma (Xicato LED) Triple  
**'KAP1'** Karma (Philips LED) Single, **'KAP2'** Karma (Philips LED) Double, **'KAP3'** Karma (Philips LED) Triple
- MOUNTING **'RE'** Recessed, **'RT'** Recessed Trimless
- FINISH **'B'** Matt Black, **'W'** Matt White, **'A'** Anodised Aluminium
- DRIVER **'F'** Fixed Output, **'D'** DALI, **'1'** 1-10V, **'S'** Switch Dim, **'C'** Casambi
- BEAM ANGLE **'T'** 10° Tight Spot, **'S'** 20° Spot, **'M'** 40° Medium, **'F'** 60° Flood
- DIRECT LED **'L'** Low power 1300lm/1653lm, **'M'** Medium power 2000lm/2298lm, **'H'** High power 3095lm
- CRI / COLOUR **'927'** CRI 90+ Colour 2700K, **'930'** CRI 90+ Colour 3000K, **'935'** CRI 90+ Colour 3500K, **'940'** CRI 90+ Colour 4000K
- DIAMETER / SIZE Spot diameter in millimetres
- EMERGENCY **'E'** Standard Emergency, **'DE'** DALI Emergency - specify details alongside code

Specify anti-glare accessories alongside code:  
**'+C'** Cone Anti-Glare, **'+R'** Ring Anti-Glare, **'+H'** Honeycomb Anti-Glare

### STANDARD

Standard fixed option products for quick and easy specification. Point source LED and Linear LED solutions, organised into Track & Spots, Downlights, Recessed, Surface, Suspended and Wall mounted solutions.

### MADE-TO-MEASURE

Versatile systems and luminaires with custom specifications for project-specific lighting. Available in custom sizes and lengths, with many options including curves, corners, finishes, integrated accessories and more.

### BESPOKE

Bespoke luminaires demonstrating completely custom project solutions, designed with the clients from concept to delivery. Learn about the design process and inspire your next bespoke lighting project.



# XICATO PHILIPS CASAMBI

**60 YEARS  
IN LIGHT**

CALL: +44 (0) 1235 55 37 69  
 EMAIL: sales@optelma.co.uk  
 ISSUE DATE: 23/11/20

#### HEAD OFFICE

The Science Park  
 Abingdon  
 Oxfordshire OX14 3YT  
 United Kingdom

#### SHOWROOM

23 Bowling Green Lane  
 Clerkenwell  
 London EC1R 0BD  
 United Kingdom

#### FRANCE

28 Rue Charles  
 Baudelaire  
 75012 Paris  
 France

#### SWITZERLAND

St. Urbangasse 53  
 Postfach 1738  
 CH-4502 Solothurn  
 Switzerland