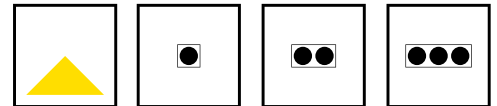


KEGE DOWNLIGHT



KEY FEATURES

- Single, Double or Triple LED Downlights
- Recessed and Trimless Recessed mounting
- Adjustable gimbal movement with 360° rotation
- XICATO Artist or PHILIPS Premium White LED chips
- Lumen outputs from 1300lm to 3095lm
- 20° Spot, 40° Medium and 60° Flood beam angles
- 2700K, 3000K, 3500K and 4000K colour temperatures
- Fixed Output, 1-10V or DALI Dimming or Casambi control
- Honeycomb, Ring and Cone anti-glare accessories
- Matt White, Matt Black and Anodised Aluminium finishes



XICATO PHILIPS CASAMBI

**60 YEARS
IN LIGHT**

CALL: +44 (0) 1235 55 37 69

EMAIL: sales@optelma.co.uk

ISSUE DATE: 23/11/20

HEAD OFFICE

The Science Park
Abingdon
Oxfordshire OX14 3YT
United Kingdom

SHOWROOM

23 Bowling Green Lane
Clerkenwell
London EC1R 0BD
United Kingdom

FRANCE

28 Rue Charles
Baudelaire
75012 Paris
France

SWITZERLAND

St. Urbangasse 53
Postfach 1738
CH-4502 Solothurn
Switzerland

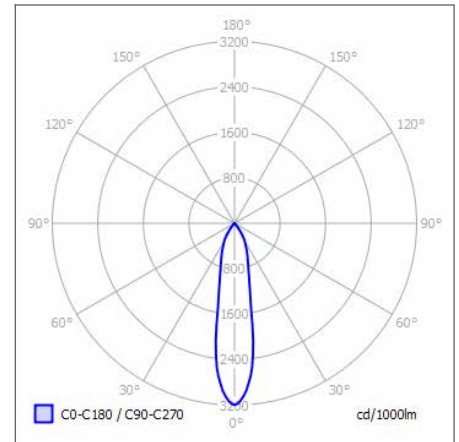
KEGE DOWNLIGHT SPECIFICATIONS

PRODUCT OPTIONS	
Dimensions (mm):	Various Sizes (see table below)
Lifetime:	50,000 hrs
Mounting type:	Recessed, Recessed Trimless
Finish:	Matt White, Matt Black, Anodised Aluminium
Emergency:	DALI or Standard Remote 3-hour Battery with indicator LED
Operating voltage:	230V
IP Rating:	IP20
Light source:	Xicato Artist LED, Philips Premium White LED
Driver:	Fixed Output, 1-10V, DALI, Casambi control
Colour temperature:	2700K, 3000K, 3500K, 4000K
Beam Angle:	10° Tight Spot, 20° Spot, 40° Medium, 60° Flood
CRI:	Xicato Artist CRI 95+, Philips CRI 90+
Optional Extras:	Anti-glare accessories: Honeycomb, Ring, Cone

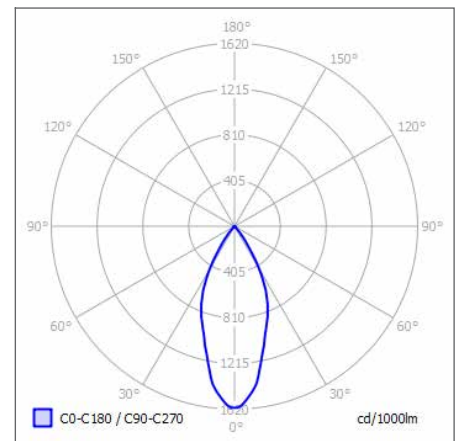
■ SELECT A PROJECT SPECIFIC LIGHT OUTPUT

RECESSED WITH TRIM			
Light Source	Output lm / W *	L x W x H (mm)	Cut-out (mm)
1 x Xicato LED	1300 lm / 13.3 W	141 x 141 x 125	125 x 125
1 x Xicato LED	2000 lm / 20.0 W	141 x 141 x 155	125 x 125
1 x Xicato LED	3000 lm / 30.5 W	141 x 141 x 158	125 x 125
1 x Philips LED	1653 lm / 11.4 W	141 x 141 x 125	125 x 125
1 x Philips LED	2298 lm / 16.5 W	141 x 141 x 155	125 x 125
1 x Philips LED	3095 lm / 23.7 W	141 x 141 x 158	125 x 125
2 x Xicato LED	1300 lm / 13.3 W	266 x 141 x 125	250 x 125
2 x Xicato LED	2000 lm / 20.0 W	266 x 141 x 155	250 x 125
2 x Xicato LED	3000 lm / 30.5 W	266 x 141 x 158	250 x 125
2 x Philips LED	1653 lm / 11.4 W	266 x 141 x 125	250 x 125
2 x Philips LED	2298 lm / 16.5 W	266 x 141 x 155	250 x 125
2 x Philips LED	3095 lm / 23.7 W	266 x 141 x 158	250 x 125
3 x Xicato LED	1300 lm / 13.3 W	376 x 141 x 125	360 x 125
3 x Xicato LED	2000 lm / 20.0 W	376 x 141 x 155	360 x 125
3 x Xicato LED	3000 lm / 30.5 W	376 x 141 x 158	360 x 125
3 x Philips LED	1653 lm / 11.4 W	376 x 141 x 125	360 x 125
3 x Philips LED	2298 lm / 16.5 W	376 x 141 x 155	360 x 125
3 x Philips LED	3095 lm / 23.7 W	376 x 141 x 158	360 x 125

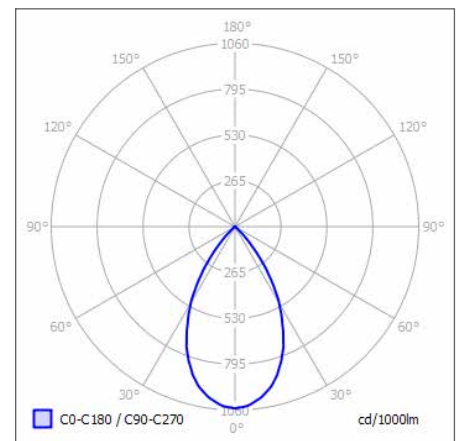
* Luminaire source lumens at 4000K.



POLAR CURVE 4000K - 20°



POLAR CURVE 4000K - 40°



POLAR CURVE 4000K - 60°



XICATO PHILIPS CASAMBI

**60 YEARS
IN LIGHT**

CALL: +44 (0) 1235 55 37 69
EMAIL: sales@optelma.co.uk
ISSUE DATE: 23/11/20

HEAD OFFICE
The Science Park
Abingdon
Oxfordshire OX14 3YT
United Kingdom

SHOWROOM
23 Bowling Green Lane
Clerkenwell
London EC1R 0BD
United Kingdom

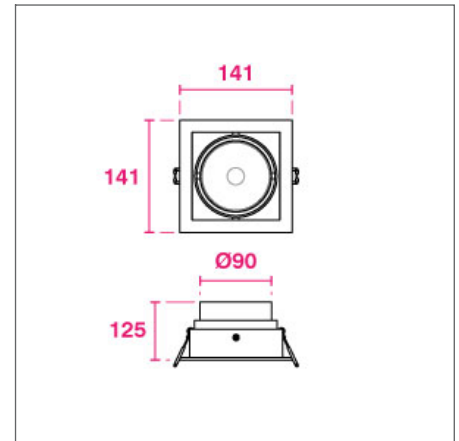
FRANCE
28 Rue Charles
Baudelaire
75012 Paris
France

SWITZERLAND
St. Urbangasse 53
Postfach 1738
CH-4502 Solothurn
Switzerland

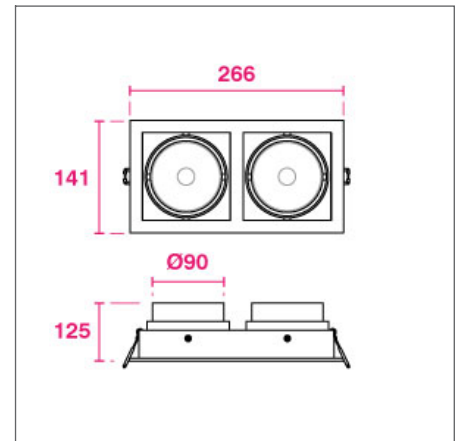
RECESSED TRIMLESS

Light Source	Output lm / W *	L x W x H (mm)	Cut-out (mm)
1 x Xicato LED	1300 lm / 13.3 W	150 x 150 x 125	150 x 150
1 x Xicato LED	2000 lm / 20.0 W	150 x 150 x 155	150 x 150
1 x Xicato LED	3000 lm / 30.5 W	150 x 150 x 158	150 x 150
1 x Philips LED	1653 lm / 11.4 W	150 x 150 x 125	150 x 150
1 x Philips LED	2298 lm / 16.5 W	150 x 150 x 155	150 x 150
1 x Philips LED	3095 lm / 23.7 W	150 x 150 x 158	150 x 150
2 x Xicato LED	1300 lm / 13.3 W	290 x 150 x 125	290 x 150
2 x Xicato LED	2000 lm / 20.0 W	290 x 150 x 155	290 x 150
2 x Xicato LED	3000 lm / 30.5 W	290 x 150 x 158	290 x 150
2 x Philips LED	1653 lm / 11.4 W	290 x 150 x 125	290 x 150
2 x Philips LED	2298 lm / 16.5 W	290 x 150 x 155	290 x 150
2 x Philips LED	3095 lm / 23.7 W	290 x 150 x 158	290 x 150
3 x Xicato LED	1300 lm / 13.3 W	435 x 150 x 125	435 x 150
3 x Xicato LED	2000 lm / 20.0 W	435 x 150 x 155	435 x 150
3 x Xicato LED	3000 lm / 30.5 W	435 x 150 x 158	435 x 150
3 x Philips LED	1653 lm / 11.4 W	435 x 150 x 125	435 x 150
3 x Philips LED	2298 lm / 16.5 W	435 x 150 x 155	435 x 150
3 x Philips LED	3095 lm / 23.7 W	435 x 150 x 158	435 x 150

* Luminaire source lumens at 4000K.

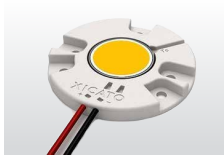


DIMENSIONS KEGE 1 (MM)

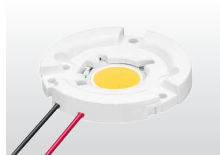


DIMENSIONS KEGE 2 (MM)

KEGE DOWNLIGHT COMPONENTS



XICATO XTM LED
The Xicato Artist LED range, CRI 95.



PHILIPS SLM LED
The Philips Fortimo LED range, CRI 90.



CONE ANTI-GLARE
Anti-glare accessory. Specification Code: +C



RING ANTI-GLARE
Anti-glare accessory. Specification Code: +R



PREMIUM DRIVERS
Fixed Output, 1-10V and DALI drivers.



HONEYCOMB ANTI-GLARE
Anti-glare accessory. Specification Code: +H



XICATO PHILIPS CASAMBI

60 YEARS IN LIGHT

CALL: +44 (0) 1235 55 37 69
EMAIL: sales@optelma.co.uk
ISSUE DATE: 23/11/20

HEAD OFFICE
The Science Park
Abingdon
Oxfordshire OX14 3YT
United Kingdom

SHOWROOM
23 Bowling Green Lane
Clerkenwell
London EC1R 0BD
United Kingdom

FRANCE
28 Rue Charles
Baudelaire
75012 Paris
France

SWITZERLAND
St. Urbangasse 53
Postfach 1738
CH-4502 Solothurn
Switzerland

KEGE DOWNLIGHT SPECIFICATION CODE

AAAA - BB/C/D/E - F/GGG - HHH/I								
AAAA PRODUCT ID	BB MOUNTING	C FINISH	D DRIVER	E BEAM ANGLE	F DIRECT LED	GGG CRI/ COLOUR	HHH DIAMETER/ SIZE (mm)	I EMERGENCY
KGX1	RE	B	F	T	L	927	075	E
KGX2	RT	W	D	S	M	930		DE
KGX3		A	1	M	H	935		
KGP1		X*	S	F	X*	940		
KGP2			C					
KGP3								

- * **X** Custom Options - specify details alongside code
- PRODUCT ID **KGX1** Kege (Xicato LED) Single, **KGX2** Kege (Xicato LED) Double, **KGX3** Kege (Xicato LED) Triple
KGP1 Kege (Philips LED) Single, **KGP2** Kege (Philips LED) Double, **KGP3** Kege (Philips LED) Triple
- MOUNTING **RE** Recessed, **RT** Recessed Trimless
- FINISH **B** Matt Black, **W** Matt White, **A** Anodised Aluminium
- DRIVER **F** Fixed Output, **D** DALI, **1** 1-10V, **S** Switch Dim, **C** Casambi
- BEAM ANGLE **T** 10° Tight Spot, **S** 20° Spot, **M** 40° Medium, **F** 60° Flood
- DIRECT LED **L** Low power 1300lm/1653lm, **M** Medium power 2000lm/2298lm, **H** High power 3095lm
- CRI / COLOUR **927** CRI 90+ Colour 2700K, **930** CRI 90+ Colour 3000K, **935** CRI 90+ Colour 3500K, **940** CRI 90+ Colour 4000K
- DIAMETER / SIZE Spot diameter in millimetres
- EMERGENCY **E** Standard Emergency, **DE** DALI Emergency - specify details alongside code

Specify anti-glare accessories alongside code:

+C Cone Anti-Glare, **+R** Ring Anti-Glare, **+H** Honeycomb Anti-Glare

STANDARD

Standard fixed option products for quick and easy specification. Point source LED and Linear LED solutions, organised into Track & Spots, Downlights, Recessed, Surface, Suspended and Wall mounted solutions.

MADE-TO-MEASURE

Versatile systems and luminaires with custom specifications for project-specific lighting. Available in custom sizes and lengths, with many options including curves, corners, finishes, integrated accessories and more.

BESPOKE

Bespoke luminaires demonstrating completely custom project solutions, designed with the clients from concept to delivery. Learn about the design process and inspire your next bespoke lighting project.



XICATO PHILIPS CASAMBI

**60 YEARS
IN LIGHT**

CALL: +44 (0) 1235 55 37 69
 EMAIL: sales@optelma.co.uk

ISSUE DATE: 23/11/20

HEAD OFFICE

The Science Park
 Abingdon
 Oxfordshire OX14 3YT
 United Kingdom

SHOWROOM

23 Bowling Green Lane
 Clerkenwell
 London EC1R 0BD
 United Kingdom

FRANCE

28 Rue Charles
 Baudelaire
 75012 Paris
 France

SWITZERLAND

St. Urbangasse 53
 Postfach 1738
 CH-4502 Solothurn
 Switzerland