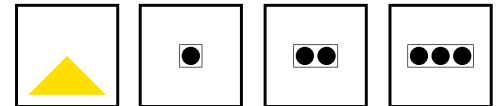




VISION

DOWNLIGHT



KEY FEATURES

- Single, Double and Triple spot adjustable Downlights
- Recessed mounting with backplate to hide ceiling void
- Adjustable gimbal movement with 360° rotation
- XICATO Artist or PHILIPS Premium White LED chips
- Lumen outputs from 1300lm to 3834lm
- 20° Spot, 40° Medium and 60° Flood beam angles
- 2700K, 3000K, 3500K and 4000K colour temperatures
- Fixed Output, 1-10V or DALI Dimming or Casambi control
- Honeycomb, Ring and Cone anti-glare accessories
- Matt White, Matt Black and Anodised Aluminium finishes



XICATO PHILIPS CASAMBI

**60 YEARS
IN LIGHT**

CALL: +44 (0) 1235 55 37 69
EMAIL: sales@optelma.co.uk

ISSUE DATE: 23/11/20

HEAD OFFICE

The Science Park
Abingdon
Oxfordshire OX14 3YT
United Kingdom

SHOWROOM

23 Bowling Green Lane
Clerkenwell
London EC1R 0BD
United Kingdom

FRANCE

28 Rue Charles
Baudelaire
75012 Paris
France

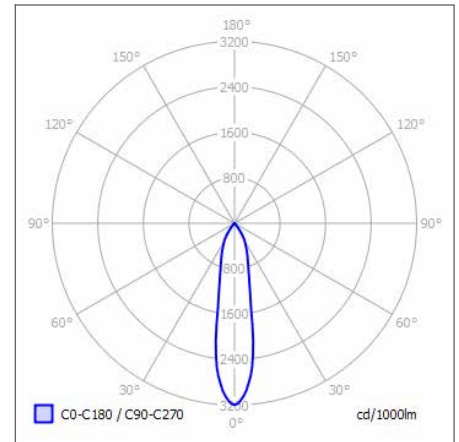
SWITZERLAND

St. Urbangasse 53
Postfach 1738
CH-4502 Solothurn
Switzerland

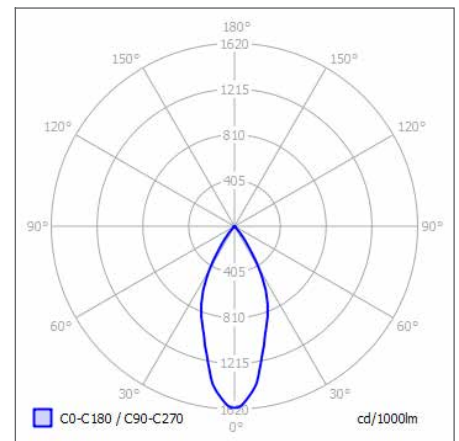
VISION DOWNLIGHT SPECIFICATIONS

PRODUCT OPTIONS

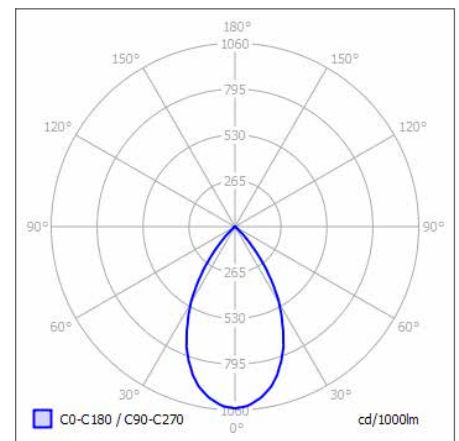
Dimensions (mm):	Various Sizes (see table below)
Lifetime:	50,000 hrs
Mounting type:	Recessed
Finish:	Matt White, Matt Black, Anodised Aluminium
Emergency:	DALI or Standard Remote 3-hour Battery with indicator LED
Operating voltage:	230V
IP Rating:	IP20
Light source:	Xicato Artist LED, Philips Premium White LED
Driver:	Fixed Output, 1-10V, DALI, Casambi control
Colour temperature:	2700K, 3000K, 3500K, 4000K
Beam Angle:	10° Tight Spot, 20° Spot, 40° Medium, 60° Flood
CRI:	Xicato Artist CRI 95+, Philips CRI 90+
Optional Extras:	Anti-glare accessories: Honeycomb, Ring, Cone



POLAR CURVE 4000K - 20°



POLAR CURVE 4000K - 40°



POLAR CURVE 4000K - 60°

SELECT A PROJECT SPECIFIC LIGHT OUTPUT

RECESSED WITH TRIM

Light Source	Output lm / W *	L x W x H (mm)	Cut-out (mm)
1 x Xicato LED	1300 lm / 13.3 W	170 x 170 x 110	150 x 150
1 x Xicato LED	2000 lm / 20.0 W	170 x 170 x 140	150 x 150
1 x Xicato LED	3000 lm / 30.5 W	170 x 170 x 140	150 x 150
1 x Philips LED	1653 lm / 11.4 W	170 x 170 x 110	150 x 150
1 x Philips LED	2298 lm / 16.5 W	170 x 170 x 140	150 x 150
1 x Philips LED	3095 lm / 23.7 W	170 x 170 x 140	150 x 150
1 x Philips LED	3834 lm / 31.2 W	170 x 170 x 140	150 x 150
2 x Xicato LED	1300 lm / 13.3 W	300 x 170 x 110	280 x 150
2 x Xicato LED	2000 lm / 20.0 W	300 x 170 x 140	280 x 150
2 x Xicato LED	3000 lm / 30.5 W	300 x 170 x 140	280 x 150
2 x Philips LED	1653 lm / 11.4 W	300 x 170 x 110	280 x 150
2 x Philips LED	2298 lm / 16.5 W	300 x 170 x 140	280 x 150
2 x Philips LED	3095 lm / 23.7 W	300 x 170 x 140	280 x 150
2 x Philips LED	3834 lm / 31.2 W	300 x 170 x 140	280 x 150

* Luminaire source lumens at 4000K.



XICATO PHILIPS CASAMBI

**60 YEARS
IN LIGHT**

CALL: +44 (0) 1235 55 37 69
EMAIL: sales@optelma.co.uk
ISSUE DATE: 23/11/20

HEAD OFFICE

The Science Park
Abingdon
Oxfordshire OX14 3YT
United Kingdom

SHOWROOM

23 Bowling Green Lane
Clerkenwell
London EC1R 0BD
United Kingdom

FRANCE

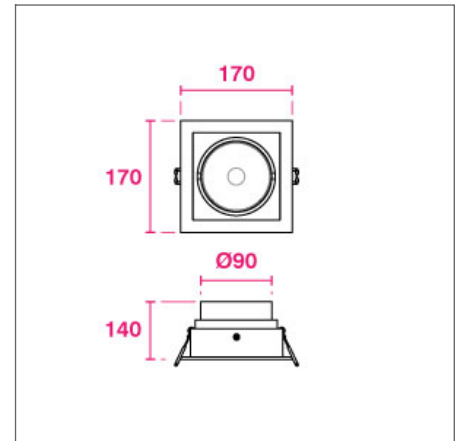
28 Rue Charles
Baudelaire
75012 Paris
France

SWITZERLAND

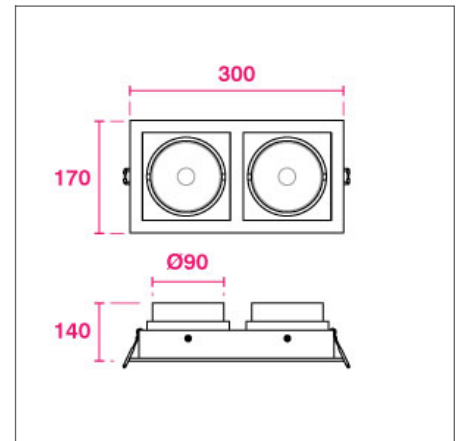
St. Urbangasse 53
Postfach 1738
CH-4502 Solothurn
Switzerland

RECESSED WITH TRIM			
Light Source	Output lm / W *	L x W x H (mm)	Cut-out (mm)
3 x Xicato LED	1300 lm / 13.3 W	440 x 170 x 110	420 x 150
3 x Xicato LED	2000 lm / 20.0 W	440 x 170 x 140	420 x 150
3 x Xicato LED	3000 lm / 30.5 W	440 x 170 x 140	420 x 150
3 x Philips LED	1653 lm / 11.4 W	440 x 170 x 110	420 x 150
3 x Philips LED	2298 lm / 16.5 W	440 x 170 x 140	420 x 150
3 x Philips LED	3095 lm / 23.7 W	440 x 170 x 140	420 x 150
3 x Philips LED	3834 lm / 31.2 W	440 x 170 x 140	420 x 150

* Luminaire source lumens at 4000K.



DIMENSIONS VISION 1 (MM)

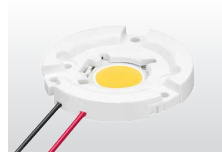


DIMENSIONS VISION 2 (MM)

VISION DOWNLIGHT COMPONENTS



XICATO XTM LED
The Xicato Artist LED range, CRI 95.



PHILIPS SLM LED
The Philips Fortimo LED range, CRI 90.



PREMIUM DRIVERS
Fixed Output, 1-10V and DALI drivers.



CONE ANTI-GLARE
Anti-glare accessory. Specification Code: +C



RING ANTI-GLARE
Anti-glare accessory. Specification Code: +R



HONEYCOMB ANTI-GLARE
Anti-glare accessory. Specification Code: +H



XICATO PHILIPS CASAMBI

**60 YEARS
IN LIGHT**

CALL: +44 (0) 1235 55 37 69
EMAIL: sales@optelma.co.uk
ISSUE DATE: 23/11/20

HEAD OFFICE
The Science Park
Abingdon
Oxfordshire OX14 3YT
United Kingdom

SHOWROOM
23 Bowling Green Lane
Clerkenwell
London EC1R 0BD
United Kingdom

FRANCE
28 Rue Charles
Baudelaire
75012 Paris
France

SWITZERLAND
St. Urbangasse 53
Postfach 1738
CH-4502 Solothurn
Switzerland

VISION DOWNLIGHT SPECIFICATION CODE

AAAA - BB/C/D/E - F/GGG - HHH/I								
AAAA PRODUCT ID	BB MOUNTING	C FINISH	D DRIVER	E BEAM ANGLE	F DIRECT LED	GGG CRI/ COLOUR	HHH DIAMETER/ SIZE (mm)	I EMERGENCY
VIX1	RE	B	F	T	L	927	075	E
VIX2		W	D	S	M	930		DE
VIX3		A	1	M	H	935		
VIP1		X*	C	F	V	940		
VIP2					X*			
VIP3								

- * **X** Custom Options - specify details alongside code
- PRODUCT ID **VIX1**' Vision (Xicato LED) Single, **VIX2**' Vision (Xicato LED) Double, **VIX3**' Vision (Xicato LED) Triple
VIP1' Vision (Philips LED) Single, **VIP2**' Vision (Philips LED) Double, **VIP3**' Vision (Philips LED) Triple
- MOUNTING **RE**' Recessed
- FINISH **B**' Matt Black, **W**' Matt White, **A**' Anodised Aluminium
- DRIVER **F**' Fixed Output, **D**' DALI, **1**' 1-10V, **C**' Casambi
- BEAM ANGLE **T**' 10° Tight Spot, **S**' 20° Spot, **M**' 40° Medium, **F**' 60° Flood
- DIRECT LED **L**' Low power 1300lm/1653lm, **M**' Medium power 2000lm/2298lm, **H**' High power 3095lm, **V**' Very High power 3834lm
- CRI / COLOUR **927**' CRI 90+ Colour 2700K, **930**' CRI 90+ Colour 3000K, **935**' CRI 90+ Colour 3500K, **940**' CRI 90+ Colour 4000K
- DIAMETER / SIZE Spot diameter in millimetres
- EMERGENCY **E**' Standard Emergency, **DE**' DALI Emergency - specify details alongside code

Specify anti-glare accessories alongside code:

+C' Cone Anti-Glare, **+R**' Ring Anti-Glare, **+H**' Honeycomb Anti-Glare

STANDARD

Standard fixed option products for quick and easy specification. Point source LED and Linear LED solutions, organised into Track & Spots, Downlights, Recessed, Surface, Suspended and Wall mounted solutions.

MADE-TO-MEASURE

Versatile systems and luminaires with custom specifications for project-specific lighting. Available in custom sizes and lengths, with many options including curves, corners, finishes, integrated accessories and more.

BESPOKE

Bespoke luminaires demonstrating completely custom project solutions, designed with the clients from concept to delivery. Learn about the design process and inspire your next bespoke lighting project.



XICATO PHILIPS CASAMBI

**60 YEARS
IN LIGHT**

CALL: +44 (0) 1235 55 37 69
 EMAIL: sales@optelma.co.uk

ISSUE DATE: 23/11/20

HEAD OFFICE

The Science Park
 Abingdon
 Oxfordshire OX14 3YT
 United Kingdom

SHOWROOM

23 Bowling Green Lane
 Clerkenwell
 London EC1R 0BD
 United Kingdom

FRANCE

28 Rue Charles
 Baudelaire
 75012 Paris
 France

SWITZERLAND

St. Urbangasse 53
 Postfach 1738
 CH-4502 Solothurn
 Switzerland