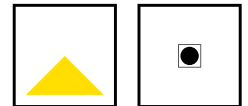




# SLIDE

DOWNLIGHT / SPOT



## KEY FEATURES

- Recessed mounted with trim
- Drop-out adjustability with 360° rotation
- XICATO Artist or PHILIPS Premium White LED chips
- Lumen outputs from 1300lm to 1653lm
- A choice of 10°, 20°, 40° and 60° beam angles
- 2700K, 3000K, 3500K and 4000K colour temperatures
- Fixed Output, 1-10V or DALI Dimming options
- Honeycomb, Ring and Cone anti-glare accessories
- Matt White, Matt Black and Anodised Aluminium finishes



**XICATO PHILIPS CASAMBI**

**60 YEARS  
IN LIGHT**

CALL: +44 (0) 1235 55 37 69

EMAIL: sales@optelma.co.uk

ISSUE DATE: 23/11/20

### HEAD OFFICE

The Science Park  
Abingdon  
Oxfordshire OX14 3YT  
United Kingdom

### SHOWROOM

23 Bowling Green Lane  
Clerkenwell  
London EC1R 0BD  
United Kingdom

### FRANCE

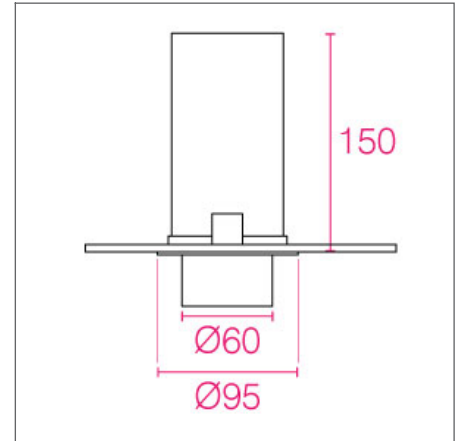
28 Rue Charles  
Baudelaire  
75012 Paris  
France

### SWITZERLAND

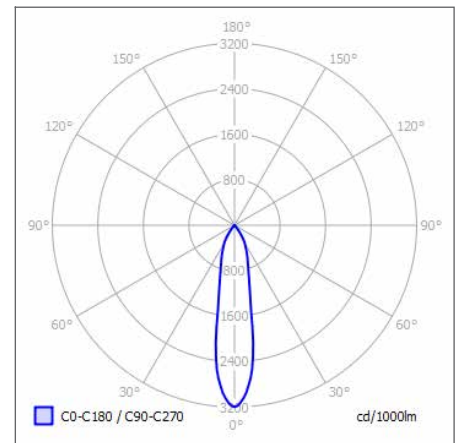
St. Urbangasse 53  
Postfach 1738  
CH-4502 Solothurn  
Switzerland

**SLIDE DOWNLIGHT/SPOT SPECIFICATIONS**

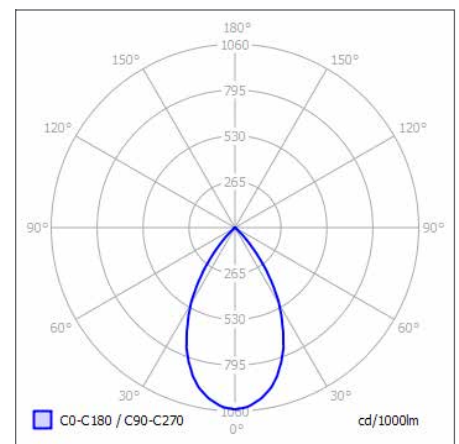
PRODUCT OPTIONS	
Dimensions (mm):	Ø95 x 150 (H)
Cut-out (mm):	Ø85
Lifetime:	50,000 hrs
Mounting type:	Recessed with trim
Finish:	Matt White, Matt Black, Anodised Aluminium
Emergency:	DALI or Standard Remote 3-hour Battery with indicator LED
Operating voltage:	230V
IP Rating:	IP20
Light source:	Xicato Artist LED, Philips Premium White LED
Driver:	Fixed Output, 1-10V, DALI
Colour temperature:	2700K, 3000K, 3500K, 4000K
Beam Angle:	10° Tight Spot, 20° Spot, 40° Medium, 60° Flood
CRI:	Xicato Artist CRI 95+, Philips CRI 90+
Optional Extras:	Anti-glare accessories: Honeycomb, Ring, Cone



DIMENSIONS (mm)



POLAR CURVE 4000K - 20°



POLAR CURVE 4000K - 60°

**■ SELECT A PROJECT SPECIFIC LIGHT OUTPUT**

RECESSED WITH TRIM			
Light Source	Output (lm)	Power (W)	Dimensions (mm)
Xicato LED CRI 95+	1300 lm	13.3 W	Ø95 x 150 (H)
Philips LED CRI 90+	1653 lm	11.4 W	Ø95 x 150 (H)

\* Luminaire source lumens at 4000K.



**XICATO PHILIPS CASAMBI**

**60 YEARS  
IN LIGHT**

CALL: +44 (0) 1235 55 37 69  
EMAIL: sales@optelma.co.uk  
ISSUE DATE: 23/11/20

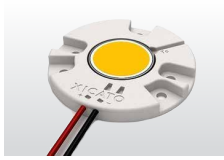
**HEAD OFFICE**  
The Science Park  
Abingdon  
Oxfordshire OX14 3YT  
United Kingdom

**SHOWROOM**  
23 Bowling Green Lane  
Clerkenwell  
London EC1R 0BD  
United Kingdom

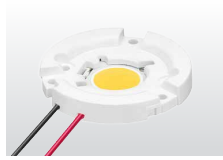
**FRANCE**  
28 Rue Charles  
Baudelaire  
75012 Paris  
France

**SWITZERLAND**  
St. Urbangasse 53  
Postfach 1738  
CH-4502 Solothurn  
Switzerland

**SLIDE DOWNLIGHT/SPOT COMPONENTS**



**XICATO XTM LED**  
The Xicato Artist LED range, CRI 95.



**PHILIPS SLM LED**  
The Philips Fortimo LED range, CRI 90.



**PREMIUM DRIVERS**  
Fixed Output, 1-10V and DALI drivers.



**CONE ANTI-GLARE**  
Anti-glare accessory. Specification Code: +C



**RING ANTI-GLARE**  
Anti-glare accessory. Specification Code: +R



**HONEYCOMB ANTI-GLARE**  
Anti-glare accessory. Specification Code: +H



**XICATO PHILIPS CASAMBI**

**60 YEARS  
IN LIGHT**

CALL: +44 (0) 1235 55 37 69  
EMAIL: sales@optelma.co.uk

ISSUE DATE: 23/11/20

**HEAD OFFICE**

The Science Park  
Abingdon  
Oxfordshire OX14 3YT  
United Kingdom

**SHOWROOM**

23 Bowling Green Lane  
Clerkenwell  
London EC1R 0BD  
United Kingdom

**FRANCE**

28 Rue Charles  
Baudelaire  
75012 Paris  
France

**SWITZERLAND**

St. Urbangasse 53  
Postfach 1738  
CH-4502 Solothurn  
Switzerland

## SLIDE DOWNLIGHT/SPOT SPECIFICATION CODE

AAAA - BB/C/D/E - F/GGG - HHH/I								
AAAA PRODUCT ID	BB MOUNTING	C FINISH	D DRIVER	E BEAM ANGLE	F DIRECT LED	GGG CRI/ COLOUR	HHH DIAMETER/ SIZE (mm)	I EMERGENCY
SLX9 SLP9	RE	B W A X*	F D 1 C	S M F	M X*	927 930 935 940	095	E DE

- \* **X** Custom Options - specify details alongside code
- PRODUCT ID **SLX9** Slide Xicato LED 1300lm CRI 95+, **SLP9** Slide Philips LED 1653lm CRI 90+
- MOUNTING **RE** Recessed
- FINISH **B** Matt Black, **W** Matt White, **A** Anodised Aluminium
- DRIVER **F** Fixed Output, **D** DALI, **1** 1-10V, **C** Casambi control
- BEAM ANGLE **S** 20° Spot, **M** 40° Medium, **F** 60° Flood
- DIRECT LED **M** Medium power 1300lm/1653lm
- CRI / COLOUR **927** CRI 90+ Colour 2700K, **930** CRI 90+ Colour 3000K, **935** CRI 90+ Colour 3500K, **940** CRI 90+ Colour 4000K
- DIAMETER / SIZE Diameter in millimetres
- EMERGENCY **E** Standard Emergency, **DE** DALI Emergency - specify details alongside code

Specify anti-glare accessories alongside code:

**+C** Cone Anti-Glare, **+R** Ring Anti-Glare, **+H** Honeycomb Anti-Glare

### STANDARD

Standard fixed option products for quick and easy specification. Point source LED and Linear LED solutions, organised into Track & Spots, Downlights, Recessed, Surface, Suspended and Wall mounted solutions.

### MADE-TO-MEASURE

Versatile systems and luminaires with custom specifications for project-specific lighting. Available in custom sizes and lengths, with many options including curves, corners, finishes, integrated accessories and more.

### BESPOKE

Bespoke luminaires demonstrating completely custom project solutions, designed with the clients from concept to delivery. Learn about the design process and inspire your next bespoke lighting project.



# XICATO PHILIPS CASAMBI

**60 YEARS  
IN LIGHT**

CALL: +44 (0) 1235 55 37 69  
EMAIL: sales@optelma.co.uk

ISSUE DATE: 23/11/20

#### HEAD OFFICE

The Science Park  
Abingdon  
Oxfordshire OX14 3YT  
United Kingdom

#### SHOWROOM

23 Bowling Green Lane  
Clerkenwell  
London EC1R 0BD  
United Kingdom

#### FRANCE

28 Rue Charles  
Baudelaire  
75012 Paris  
France

#### SWITZERLAND

St. Urbangasse 53  
Postfach 1738  
CH-4502 Solothurn  
Switzerland