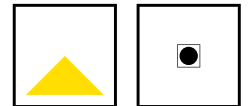


XEN+

TRIMLESS DOWNLIGHT



KEY FEATURES

- Trimless Recessed Round Downlight
- Matt White luminaire housing
- Bridgelux 9W or 15W LED Engines
- CRI 90+ as standard
- 15°, 24°, 38°, 55° Flood beam angles
- 25° directional adjustability
- 2700K, 3000K and 4000K colour temperatures
- Fixed Output, L&TE, DALI Dimming or Casambi control
- Clip-in interchangeable reflector with a choice of finishes



CASAMBI

**60 YEARS
IN LIGHT**

CALL: +44 (0) 1235 55 37 69

EMAIL: sales@optelma.co.uk

ISSUE DATE: 23/11/20

HEAD OFFICE

The Science Park
Abingdon
Oxfordshire OX14 3YT
United Kingdom

SHOWROOM

23 Bowling Green Lane
Clerkenwell
London EC1R 0BD
United Kingdom

FRANCE

28 Rue Charles
Baudelaire
75012 Paris
France

SWITZERLAND

St. Urbangasse 53
Postfach 1738
CH-4502 Solothurn
Switzerland

XEN+ TRIMLESS DOWNLIGHT SPECIFICATIONS

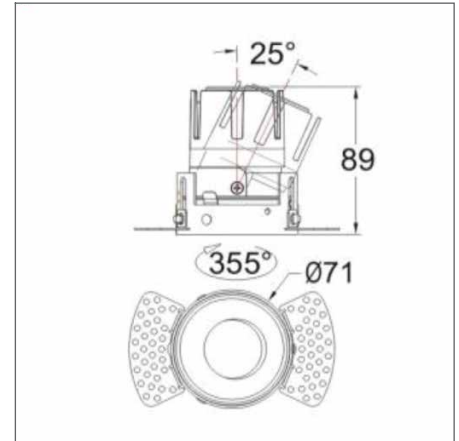
PRODUCT OPTIONS	
Dimensions (mm):	See table below
Weight (kg):	< 1.0 kg
Lifetime:	50,000 hrs
Mounting type:	Trimless Recessed
Finish:	Trim: Matt White Reflector: Matt White, Matt Black, Gold, Silver*
Emergency:	N/A
Operating voltage:	230V
IP Rating:	IP20 or IP54
Direct Light source:	9W or 15W Bridgelux LED
Driver:	Fixed Output, L&TE, DALI dimming, Casambi control
Colour temperature:	2700K, 3000K or 4000K
Beam Angle:	15°, 24°, 38°, 55°
Diffuser:	N/A
CRI:	90+
Optional Extras:	Honeycomb anti-glare, Soft beam lense or Spread lense

* Many more reflector finishes available on request. Lead times may vary.

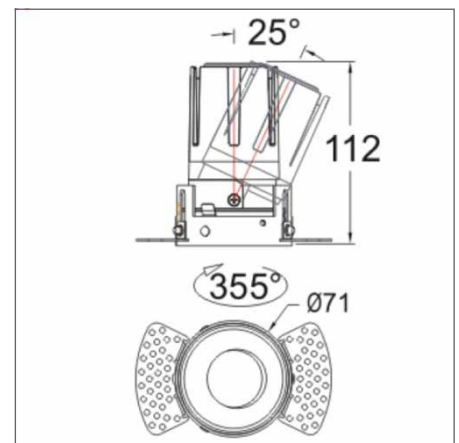
CHOOSE FROM OUR RANGE OF SIZES AND OUTPUTS

Dimensions	Cut-out	Power	2700K	3000K	4000K
Ø71 x89	Ø75 mm	9.0 W	741 lm	777 lm	804 lm
Ø71 x112	Ø75 mm	15.0 W	1271 lm	1296 lm	1346 lm

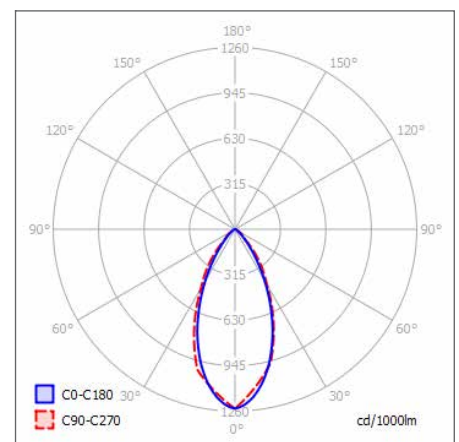
* Figures shown for 24° outputs



XEN+ 9W DIMENSIONS (MM)



XEN+ 15W DIMENSIONS (MM)



POLAR CURVE 55° 4000K



CASAMBI

**60 YEARS
IN LIGHT**

CALL: +44 (0) 1235 55 37 69
EMAIL: sales@optelma.co.uk
ISSUE DATE: 23/11/20

HEAD OFFICE
The Science Park
Abingdon
Oxfordshire OX14 3YT
United Kingdom

SHOWROOM
23 Bowling Green Lane
Clerkenwell
London EC1R 0BD
United Kingdom

FRANCE
28 Rue Charles
Baudelaire
75012 Paris
France

SWITZERLAND
St. Urbangasse 53
Postfach 1738
CH-4502 Solothurn
Switzerland

XEN+ TRIMLESS DOWNLIGHT COMPONENTS



9W LED ENGINE
with Bridgelux LED chips, CRI 90+.



15W LED ENGINE
with Bridgelux LED chips, CRI 90+.



GLOBAL OPTIC
15°, 24°, 38° and 55° beam angles.



WHITE REFLECTOR
Standard clip-in bezel finishes.



BLACK REFLECTOR
Standard clip-in bezel finishes.



GOLD REFLECTOR
Standard clip-in bezel finishes.



SILVER REFLECTOR
Standard clip-in bezel finishes.



PREMIUM DRIVERS
Fixed Output, L&TE and DALI drivers.



CASAMBI CONTROL
Casambi bluetooth control modules.



XEN+ TRIMLESS DOWNLIGHT SPECIFICATION CODE

AAAA - BB/C/D/E - F/GGG - HHH/I								
AAAA PRODUCT ID	BB MOUNTING	C FINISH	D DRIVER	E BEAM ANGLE	F DIRECT LED	GGG CRI/ COLOUR	HHH DIAMETER/ SIZE (mm)	I EMERGENCY
XENR	RT	W X*	F L D C	T S M F	L M	927 930 940	71	N/A

*	X Custom Options - specify details alongside code
PRODUCT ID	XENR Xen+ Round Downlight
MOUNTING	RT Recessed Trimless
FINISH	W Matt White*
DRIVER	F Fixed Output, L L&TE, D DALI, C Casambi
BEAM ANGLE	T 15° Tight Spot, S 24° Spot, M 38° Medium, F 55° Flood
DIRECT LED	L Low power 9W, M Medium power 15W
CRI / COLOUR	927 CRI 90/95+ Colour 2700K, 930 CRI 90/95+ Colour 3000K, 940 CRI 90/95+ Colour 4000K
DIAMETER / SIZE	Luminaire diameter in millimetres
EMERGENCY	N/A

*For Clip-in Reflector finishes specify details alongside code:
+WHITE / +BLACK / +GOLD / +SILVER

STANDARD

Standard fixed option products for quick and easy specification. Point source LED and Linear LED solutions, organised into Track & Spots, Downlights, Recessed, Surface, Suspended and Wall mounted solutions.

MADE-TO-MEASURE

Versatile systems and luminaires with custom specifications for project-specific lighting. Available in custom sizes and lengths, with many options including curves, corners, finishes, integrated accessories and more.

BESPOKE

Bespoke luminaires demonstrating completely custom project solutions, designed with the clients from concept to delivery. Learn about the design process and inspire your next bespoke lighting project.




60 YEARS IN LIGHT

CALL: +44 (0) 1235 55 37 69
EMAIL: sales@optelma.co.uk
ISSUE DATE: 23/11/20

HEAD OFFICE

The Science Park
Abingdon
Oxfordshire OX14 3YT
United Kingdom

SHOWROOM

23 Bowling Green Lane
Clerkenwell
London EC1R 0BD
United Kingdom

FRANCE

28 Rue Charles
Baudelaire
75012 Paris
France

SWITZERLAND

St. Urbangasse 53
Postfach 1738
CH-4502 Solothurn
Switzerland