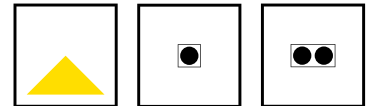


OKULAR

COLLIMATED OPTIC DOWNLIGHTS



KEY FEATURES

- Recessed glare-free downlighters
- Direct lighting with CRI90 collimated optic LEDs
- Choice of beam angles including 15°, 30° and 45°
- 2W LED Engines providing 140lm each
- Colour temperatures include 2700K, 3000K and 4000K
- Remote Fixed Output, Mains Dimmable or DALI drivers
- Matt White or Matt Black trim, with anti-glare black reflectors
- Recessed, Recessed Trimless and Asymmetric options



60 YEARS
IN LIGHT

CALL: +44 (0) 1235 55 37 69
EMAIL: sales@optelma.co.uk
ISSUE DATE: 23/03/20

HEAD OFFICE
The Science Park
Abingdon
Oxfordshire OX14 3YT
United Kingdom

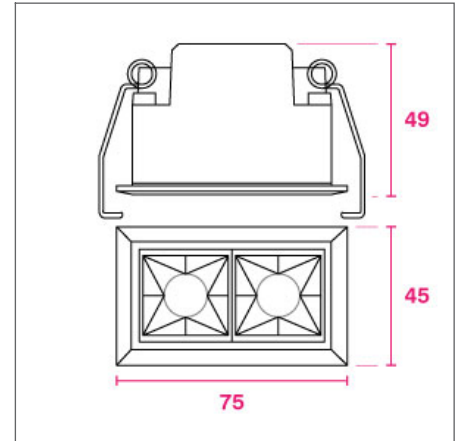
SHOWROOM
23 Bowling Green Lane
Clerkenwell
London EC1R 0BD
United Kingdom

FRANCE
28 Rue Charles
Baudelaire
75012 Paris
France

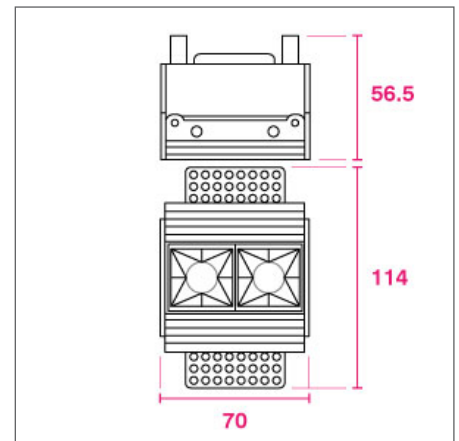
SWITZERLAND
St. Urbangasse 53
Postfach 1738
CH-4502 Solothurn
Switzerland

OKULAR SPECIFICATIONS

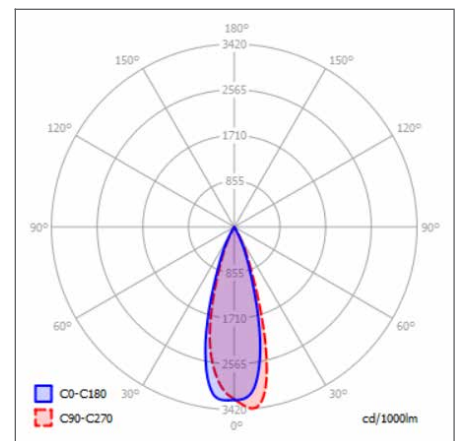
PRODUCT OPTIONS	
Dimensions (mm):	See table below
Cut-out (mm):	See table below
Weight (kg):	<1.5 kg
Lifetime:	50,000 hrs
Mounting type:	Recessed, Recessed Trimless, Recessed Asymmetric
Finish:	Matt White, Matt Black
Emergency:	Remote 3-hour emergency conversion on request
Operating voltage:	Single/Double: 2-4V, Five: 10-16V, Ten: 15-25V
IP Rating:	IP20
Light source:	Collimated low power LED
Driver:	Fixed Output, Mains Dimmable, DALI Dimmable
Colour temperature:	2700K, 3000K, 4000K
Beam Angle:	15°, 30°, 45°
Diffuser:	N/A - Collimated optics
CRI:	CRI 90+
Optional Extras:	Adjustable tilt and larger optic versions on request



x2 DIMENSIONS (MM)



TRIMLESS x2 DIMENSIONS (MM)



POLAR CURVE 20° 4000K ECO Low Power

CHOOSE A PROJECT SPECIFIC SOLUTION FROM THE FOLLOWING OUTPUTS

Light Source*	Power	Output	Dimensions (mm)	Cut-out (mm)
Recessed 1x	2 W (700mA)	140 lm	45 x 45 x 49	37 x 37
Recessed 2x	4 W (700mA)	280 lm	75 x 45 x 49	68 x 37
Recessed 5x	10 W (700mA)	800 lm	147 x 45 x 49	140 x 37
Recessed 10x	20 W (600mA)	1600 lm	280 x 45 x 49	273 x 37
Trimless 2x	4 W (700mA)	280 lm	70 x 114 x 56.5	75 x 70
Trimless 5x	10 W (700mA)	800 lm	141 x 114 x 56.5	145 x 70
Trimless 10x	20 W (600mA)	1600 lm	273.5 x 114 x 56.5	278 x 70
Asymmetric 2x	4 W (700mA)	280 lm	95 x 60 x 49	75 x 45
Asymmetric 5x	10 W (700mA)	800 lm	167 x 60 x 49	155 x 45
Asymmetric 10x	20 W (700mA)	1600 lm	300 x 60 x 49	290 x 45

* LED Lumen outputs at 4000K.



60 YEARS
IN LIGHT

CALL: +44 (0) 1235 55 37 69

EMAIL: sales@optelma.co.uk

ISSUE DATE: 23/03/20

HEAD OFFICE

The Science Park
Abingdon
Oxfordshire OX14 3YT
United Kingdom

SHOWROOM

23 Bowling Green Lane
Clerkenwell
London EC1R 0BD
United Kingdom

FRANCE

28 Rue Charles
Baudelaire
75012 Paris
France

SWITZERLAND

St. Urbangasse 53
Postfach 1738
CH-4502 Solothurn
Switzerland

OKULAR COMPONENTS



MATT WHITE FINISH

Matt White trim with black reflectors.



MATT BLACK FINISH

Matt Black trim with black reflectors.



TRIMLESS OPTIC

Trimless White body with black reflectors.



**60 YEARS
IN LIGHT**

CALL: +44 (0) 1235 55 37 69
EMAIL: sales@optelma.co.uk

ISSUE DATE: 23/03/20

HEAD OFFICE

The Science Park
Abingdon
Oxfordshire OX14 3YT
United Kingdom

SHOWROOM

23 Bowling Green Lane
Clerkenwell
London EC1R 0BD
United Kingdom

FRANCE

28 Rue Charles
Baudelaire
75012 Paris
France

SWITZERLAND

St. Urbangasse 53
Postfach 1738
CH-4502 Solothurn
Switzerland

OKULAR SPECIFICATION CODE

AAAA - BB/C/D/E - F/GGG - HHHH/I								
AAAA PRODUCT ID	BB MOUNTING	C FINISH	D DRIVER	E BEAM ANGLE	F DIRECT LED	GGG CRI/ COLOUR	HHH LENGTH/ SIZE (mm)	I EMERGENCY
OKUL	RE RT RA	W B	F M D	S M F	S D F T	927 930 940	XXX	N/A

- * **X** Custom Options - specify details alongside code
- MOUNTING **RE** Recessed, **RT** Recessed Trimless, **RA** Recessed Asymmetric
- FINISH **W** Matt White, **B** Matt Black
- DRIVER **F** Fixed Output, **M** Mains Dimmable, **D** DALI
- BEAM ANGLE **S** 15° Spot, **M** 30° Medium Spot, **F** 45° Flood
- DIRECT LED **S** Single Optic 2W, **D** Double Optic 4W, **F** Five Optics 10W, **T** Ten Optics 20W
- CRI / COLOUR **927** CRI 90+ Colour 2700K, **930** CRI 90+ Colour 3000K, **940** CRI 90+ Colour 4000K
- DIAMETER / SIZE Luminaire length in millimetres
- EMERGENCY Options available on request - specify details alongside code

STANDARD

Standard fixed option products for quick and easy specification. Point source LED and Linear LED solutions, organised into Track & Spots, Downlights, Recessed, Surface, Suspended and Wall mounted solutions.

MADE-TO-MEASURE

Versatile systems and luminaires with custom specifications for project-specific lighting. Available in custom sizes and lengths, with many options including curves, corners, finishes, integrated accessories and more.

BESPOKE

Bespoke luminaires demonstrating completely custom project solutions, designed with the clients from concept to delivery. Learn about the design process and inspire your next bespoke lighting project.



**60 YEARS
IN LIGHT**

CALL: +44 (0) 1235 55 37 69
EMAIL: sales@optelma.co.uk
ISSUE DATE: 23/03/20

HEAD OFFICE

The Science Park
Abingdon
Oxfordshire OX14 3YT
United Kingdom

SHOWROOM

23 Bowling Green Lane
Clerkenwell
London EC1R 0BD
United Kingdom

FRANCE

28 Rue Charles
Baudelaire
75012 Paris
France

SWITZERLAND

St. Urbangasse 53
Postfach 1738
CH-4502 Solothurn
Switzerland