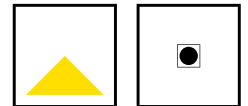




# DARKLIGHT

## DOWNLIGHT



### KEY FEATURES

- Recessed round downlight with black bezel
- Fixed or Adjustable versions
- Matt White Trim with black bezel for reduced glare
- Bridgelux 9W or 15W LED Engines
- CRI 80+ as standard
- 20° Spot, 40° Medium & 55° Flood beam angles
- 2700K, 3000K and 4000K colour temperatures
- Fixed Output, L&TE, 0-10V or DALI Dimming options



**60 YEARS**  
**IN LIGHT**

CALL: +44 (0) 1235 55 37 69  
EMAIL: [sales@optelma.co.uk](mailto:sales@optelma.co.uk)  
ISSUE DATE: 23/11/20

**HEAD OFFICE**  
The Science Park  
Abingdon  
Oxfordshire OX14 3YT  
United Kingdom

**SHOWROOM**  
23 Bowling Green Lane  
Clerkenwell  
London EC1R 0BD  
United Kingdom

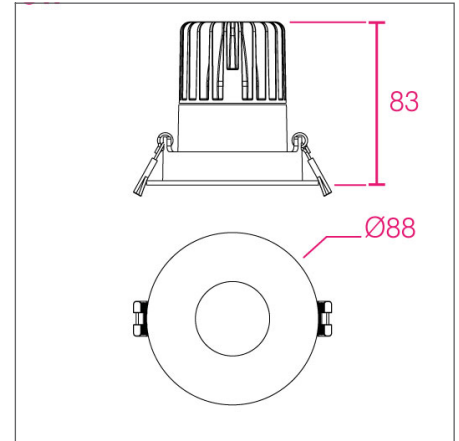
**FRANCE**  
28 Rue Charles  
Baudelaire  
75012 Paris  
France

**SWITZERLAND**  
St. Urbangasse 53  
Postfach 1738  
CH-4502 Solothurn  
Switzerland

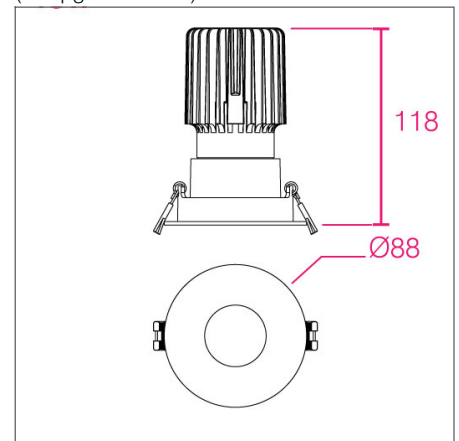
## DARKLIGHT DOWNLIGHT SPECIFICATIONS

PRODUCT OPTIONS	
Dimensions (mm):	See table below
Weight (kg):	< 1.0 kg
Lifetime:	50,000 hrs
Mounting type:	Recessed with Trim
Finish:	Trim: Matt White* Bezel: Matt Black
Emergency:	Emergency conversion on request
Operating voltage:	230V DC (400-450mA)
IP Rating:	IP20 (IP54 on request)
Direct Light source:	9W or 15W CREE LED
Driver:	Fixed Output, L&TE, 0-10V or DALI
Colour temperature:	2700K, 3000K or 4000K
Beam Angle:	9W: 15°, 24°, 38°, 60°   15W: 20°, 40°, 55°
Diffuser:	N/A
CRI:	80+
Optional Extras:	

\* Alternative finishes available only on request. Lead times may vary.



DIMENSIONS 9W FIXED (MM)  
(see pg. 3 for more)

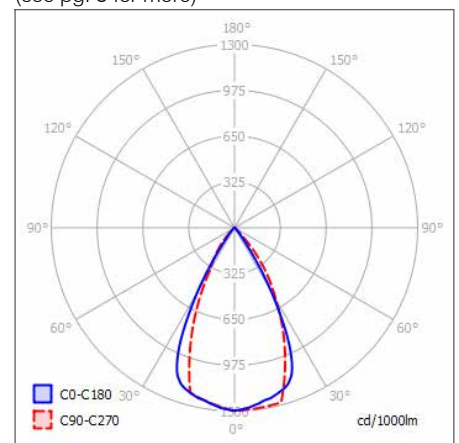


DIMENSIONS 15W FIXED (MM)  
(see pg. 3 for more)

### CHOOSE FROM OUR RANGE OF SIZES AND OUTPUTS

Product	Dimensions	Cut-out	Output*
Darklight 1 (Fixed)	Ø88 x 83 (H)	Ø75 mm	399 lm / 9.0 W
Darklight 1 (Fixed)	Ø88 x 118 (H)	Ø75 mm	1120 lm / 15.0 W
Darklight 2 (Adjust.)	Ø88 x 83 (H)	Ø75 mm	448 lm / 9.0 W
Darklight 2 (Adjust.)	Ø88 x 118 (H)	Ø75 mm	1120 lm / 15.0 W
Darklight 3 (Adjust.)	88x88 x 83 (H)	Ø75 mm	448 lm / 15.0 W
Darklight 3 (Adjust.)	88x88 x 118 (H)	Ø75 mm	1120 lm / 15.0 W

\* Figures shown for 4000K outputs



POLAR CURVE 4000K



**60 YEARS  
IN LIGHT**

CALL: +44 (0) 1235 55 37 69  
EMAIL: sales@optelma.co.uk  
ISSUE DATE: 23/11/20

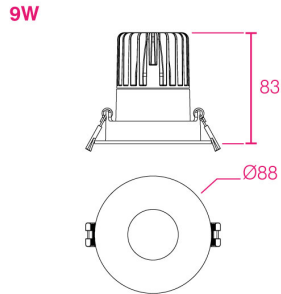
**HEAD OFFICE**  
The Science Park  
Abingdon  
Oxfordshire OX14 3YT  
United Kingdom

**SHOWROOM**  
23 Bowling Green Lane  
Clerkenwell  
London EC1R 0BD  
United Kingdom

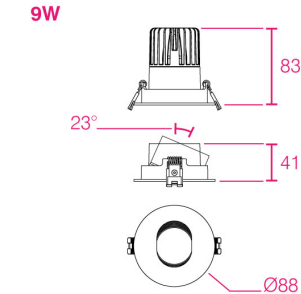
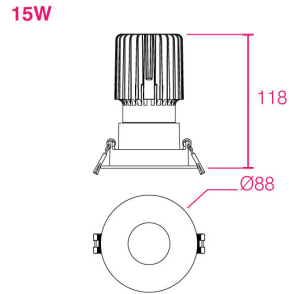
**FRANCE**  
28 Rue Charles  
Baudelaire  
75012 Paris  
France

**SWITZERLAND**  
St. Urbangasse 53  
Postfach 1738  
CH-4502 Solothurn  
Switzerland

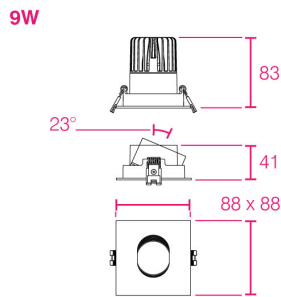
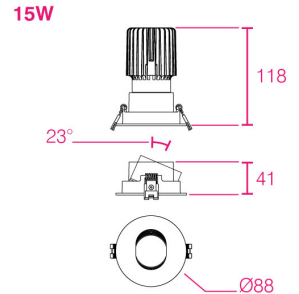
## DARKLIGHT DOWNLIGHT DIMENSIONS



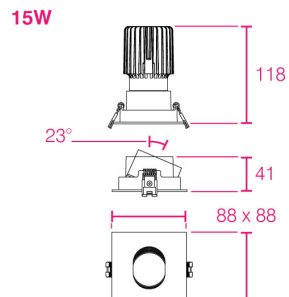
**DARKLIGHT 1**



**DARKLIGHT 2**

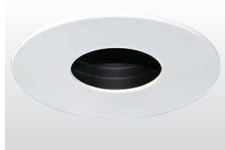


**DARKLIGHT 3**



Dimensions shown in millimetres.

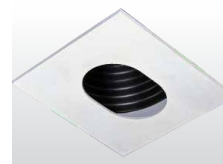
## DARKLIGHT DOWNLIGHT COMPONENTS



**DARKLIGHT 1  
FIXED**  
Fixed round trim with black bezel.



**DARKLIGHT 2  
ADJUSTABLE**  
Adjustable round trim with black bezel.



**DARKLIGHT 3  
ADJUSTABLE**  
Adjustable square trim with black bezel.



**9W LED ENGINE**  
with Bridgelux LED chips, CRI 90+.



**15W LED ENGINE**  
with Bridgelux LED chips, CRI 90+.



**PREMIUM DRIVERS**  
Fixed Output, L&TE and DALI drivers.



**60 YEARS  
IN LIGHT**

CALL: +44 (0) 1235 55 37 69  
EMAIL: sales@optelma.co.uk  
ISSUE DATE: 23/11/20

**HEAD OFFICE**  
The Science Park  
Abingdon  
Oxfordshire OX14 3YT  
United Kingdom

**SHOWROOM**  
23 Bowling Green Lane  
Clerkenwell  
London EC1R 0BD  
United Kingdom

**FRANCE**  
28 Rue Charles  
Baudelaire  
75012 Paris  
France

**SWITZERLAND**  
St. Urbangasse 53  
Postfach 1738  
CH-4502 Solothurn  
Switzerland

## DARKLIGHT DOWNLIGHT SPECIFICATION CODE

AAAA - BB/C/D/E - F/GGG - HHH/I								
AAAA PRODUCT ID	BB MOUNTING	C FINISH	D DRIVER	E BEAM ANGLE	F DIRECT LED	GGG CRI/ COLOUR	HHH DIAMETER/ SIZE (mm)	I EMERGENCY
DARB	RE	W X*	F L O D	T S M F	L M	827 830 840	88	N/A

- \* **X** Custom Options - specify details alongside code
- PRODUCT ID **DARB** Darklight Basic
- MOUNTING **RE** Recessed with Trim
- FINISH **W** Matt White \*Alternative finishes specify details alongside code
- DRIVER **F** Fixed Output, **L** L&TE, **O** 0-10V, **D** DALI
- BEAM ANGLE **T** 15° Tight Spot, **S** 20° / 24° Spot, **M** 38° / 40° Medium, **F** 55° / 60° Flood
- DIRECT LED **L** Low power 9W, **M** Medium power 15W
- CRI / COLOUR **827** CRI 80+ Colour 2700K, **830** CRI 80+ Colour 3000K, **840** CRI 80+ Colour 4000K
- DIAMETER / SIZE Luminaire diameter in millimetres
- EMERGENCY N/A

### STANDARD

Standard fixed option products for quick and easy specification. Point source LED and Linear LED solutions, organised into Track & Spots, Downlights, Recessed, Surface, Suspended and Wall mounted solutions.

### MADE-TO-MEASURE

Versatile systems and luminaires with custom specifications for project-specific lighting. Available in custom sizes and lengths, with many options including curves, corners, finishes, integrated accessories and more.

### BESPOKE

Bespoke luminaires demonstrating completely custom project solutions, designed with the clients from concept to delivery. Learn about the design process and inspire your next bespoke lighting project.



### 60 YEARS IN LIGHT

CALL: +44 (0) 1235 55 37 69

EMAIL: sales@optelma.co.uk

ISSUE DATE: 23/11/20

#### HEAD OFFICE

The Science Park  
Abingdon  
Oxfordshire OX14 3YT  
United Kingdom

#### SHOWROOM

23 Bowling Green Lane  
Clerkenwell  
London EC1R 0BD  
United Kingdom

#### FRANCE

28 Rue Charles  
Baudelaire  
75012 Paris  
France

#### SWITZERLAND

St. Urbangasse 53  
Postfach 1738  
CH-4502 Solothurn  
Switzerland