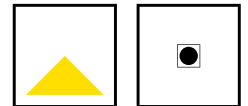




# CONICA

## DOWNLIGHT



### KEY FEATURES

- Recessed Round Conical Downlights
- 5 different architectural bezel styles
- Matt White Trim in Fixed, Adjustable and Asymmetric
- Bridgelux 9W or 15W LED Engines
- 25W, 35W and 50W engines for Conica 4 & 5
- CRI 80+ as standard
- Spot, Medium & Flood beam angles
- 2700K, 3000K and 4000K colour temperatures
- Fixed Output, L&TE, 0-10V, DALI Dimming or Casambi control



**CASAMBI**

**60 YEARS  
IN LIGHT**

CALL: +44 (0) 1235 55 37 69  
EMAIL: sales@optelma.co.uk  
ISSUE DATE: 27/11/20

**HEAD OFFICE**  
The Science Park  
Abingdon  
Oxfordshire OX14 3YT  
United Kingdom

**SHOWROOM**  
23 Bowling Green Lane  
Clerkenwell  
London EC1R 0BD  
United Kingdom

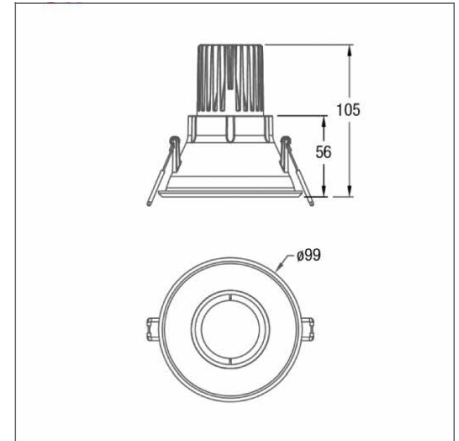
**FRANCE**  
28 Rue Charles  
Baudelaire  
75012 Paris  
France

**SWITZERLAND**  
St. Urbangasse 53  
Postfach 1738  
CH-4502 Solothurn  
Switzerland

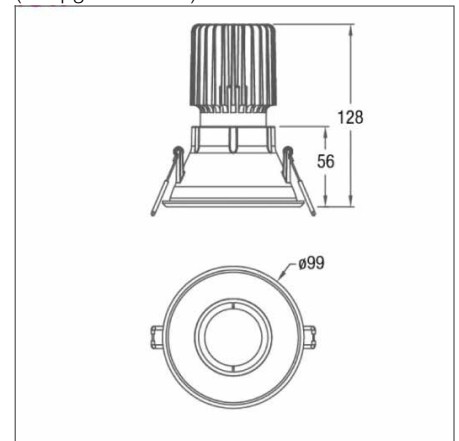
## CONICA DOWNLIGHT SPECIFICATIONS

PRODUCT OPTIONS	
Dimensions (mm):	See table below
Weight (kg):	< 1.0 kg
Lifetime:	50,000 hrs
Mounting type:	Recessed with Trim
Finish:	Trim: Matt White*
Emergency:	Emergency conversion on request
Operating voltage:	230V DC (200-450mA)
IP Rating:	IP20
Direct Light source:	9W or 15W CREE LED or higher - See table below
Driver:	Fixed Output, L&TE, 0-10V, DALI, Casambi
Colour temperature:	2700K, 3000K or 4000K
Beam Angle:	See table below
Diffuser:	N/A
CRI:	80+
Optional Extras:	

\* Alternative finishes available only on request. Lead times may vary.



DIMENSIONS 9W CONICA 1 (MM)  
(see pg. 3 for more)

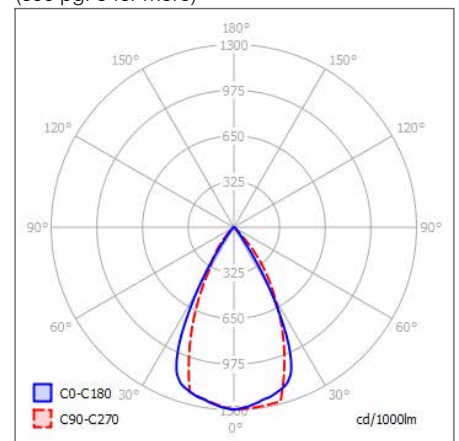


DIMENSIONS 15W CONICA 1 (MM)  
(see pg. 3 for more)

### CHOOSE FROM OUR RANGE OF SIZES AND OUTPUTS

Product	Dimensions	Cut-out	Beam Angles	Output*
Conica 1 Fixed	Ø99 x 105 (H)	Ø90-95 mm	20°/40°/55°	665lm / 9W
Conica 1 Fixed	Ø99 x 128 (H)	Ø90-95 mm	20°/40°/55°	1040lm / 15W
Conica 2 Fixed	Ø110 x 86 (H)	Ø90-100 mm	20°/40°/55°	665lm / 9W
Conica 2 Adjust.	Ø110 x 85 (H)	Ø90-100 mm	20°/40°/55°	665lm / 9W
Conica 2 Fixed	Ø110 x 108 (H)	Ø90-100 mm	20°/40°/55°	1040lm / 15W
Conica 3 Asym.	Ø88 x 79 (H)	Ø75-80 mm	15°/24°/38°/60°	632lm / 9W
Conica 3 Asym.	Ø99 x 112 (H)	Ø75-80 mm	20°/40°/55°	1120lm / 15W
Conica 4 Fixed	Ø125 x 117 (H)	Ø115-120 mm	15°/24°/38°	1883lm / 25W
Conica 4 Fixed	Ø165 x 140 (H)	Ø150-160 mm	15°/20°/40°/60°	2820lm / 35W
Conica 4 Fixed	Ø190 x 172 (H)	Ø170-180 mm	15°/20°/40°/60°	3830lm / 50W
Conica 5 Fixed	Ø125 x 117 (H)	Ø115-120 mm	15°/24°/38°	1883lm / 25W
Conica 4 Fixed	Ø165 x 140 (H)	Ø150-160 mm	15°/20°/40°/60°	2820lm / 35W
Conica 4 Fixed	Ø190 x 172 (H)	Ø170-180 mm	15°/20°/40°/60°	3830lm / 50W

\* Figures shown for 4000K outputs



POLAR CURVE 4000K

**CASAMBI**

**60 YEARS  
IN LIGHT**

CALL: +44 (0) 1235 55 37 69  
EMAIL: sales@optelma.co.uk  
ISSUE DATE: 27/11/20

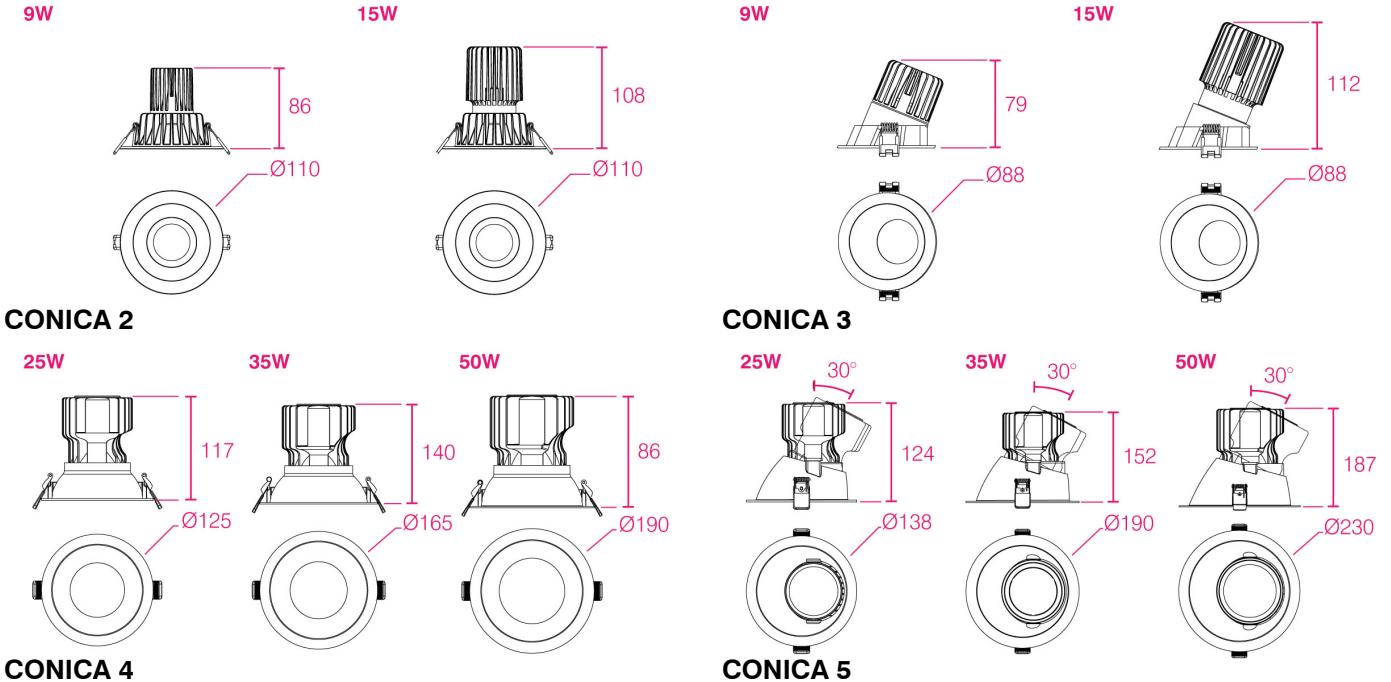
**HEAD OFFICE**  
The Science Park  
Abingdon  
Oxfordshire OX14 3YT  
United Kingdom

**SHOWROOM**  
23 Bowling Green Lane  
Clerkenwell  
London EC1R 0BD  
United Kingdom

**FRANCE**  
28 Rue Charles  
Baudelaire  
75012 Paris  
France

**SWITZERLAND**  
St. Urbangasse 53  
Postfach 1738  
CH-4502 Solothurn  
Switzerland

## CONICA DOWNLIGHT DIMENSIONS



Dimensions shown in millimetres.

## CONICA DOWNLIGHT COMPONENTS

	<b>CONICA 1 BEZEL</b> Available in 9W and 15W Fixed versions.		<b>CONICA 2 BEZEL</b> Available in 9W and 15W Fixed or 9W Adjustable versions.		<b>CONICA 2 ADJUSTABLE BEZEL</b> Available in 9W Adjustable version.
	<b>CONICA 3 BEZEL</b> Available in 9W and 15W Asymmetric versions.		<b>CONICA 4 BEZEL</b> Available in 25W, 35W and 50W Fixed versions.		<b>CONICA 5 BEZEL</b> Available in 25W, 35W and 50W Adjustable versions.
	<b>PREMIUM DRIVERS</b> Fixed Output, L&TE and DALI drivers.				



## CONICA DOWNLIGHT SPECIFICATION CODE

AAAA - BB/C/D/E - F/GGG - HHH/I								
AAAA PRODUCT ID	BB MOUNTING	C FINISH	D DRIVER	E BEAM ANGLE	F DIRECT LED	GGG CRI/ COLOUR	HHH DIAMETER/ SIZE (mm)	I EMERGENCY
CN01	RE	W	F	T	L	827	88	N/A
CN02		X*	L	S	M	830	99	
CNA2			O	M	H	840	110	
CN03			D	F			125	
CN04			C				138	
CN05							165	
							190	
							230	

\* **X** Custom Options - specify details alongside code

PRODUCT ID **CN01** Conica 1 Fixed, **CN02** Conica 2 Fixed, **CNA2** Conica 2 Adjustable, **CN03** Conica 3 Asymmetric, **CN04** Conica 4 Fixed, **CN05** Conica 5 Adjustable

MOUNTING **RE** Recessed with Trim

FINISH **W** Matt White \*Alternative finishes specify details alongside code

DRIVER **F** Fixed Output, **L** L&TE, **O** 0-10V, **D** DALI, **C** Casambi

BEAM ANGLE **T** 15° Tight Spot, **S** 20°/24° Spot, **M** 38°/40° Medium, **F** 55°/60° Flood

DIRECT LED **L** Low power 9W or 25W, **M** Medium power 15W or 35W, **H** High power 50W

CRI / COLOUR **827** CRI 80+ Colour 2700K, **830** CRI 80+ Colour 3000K, **840** CRI 80+ Colour 4000K

DIAMETER / SIZE Luminaire diameter in millimetres

EMERGENCY N/A

### STANDARD

Standard fixed option products for quick and easy specification. Point source LED and Linear LED solutions, organised into Track & Spots, Downlights, Recessed, Surface, Suspended and Wall mounted solutions.

### MADE-TO-MEASURE

Versatile systems and luminaires with custom specifications for project-specific lighting. Available in custom sizes and lengths, with many options including curves, corners, finishes, integrated accessories and more.

### BESPOKE

Bespoke luminaires demonstrating completely custom project solutions, designed with the clients from concept to delivery. Learn about the design process and inspire your next bespoke lighting project.




**60 YEARS  
IN LIGHT**

CALL: +44 (0) 1235 55 37 69

EMAIL: sales@optelma.co.uk

ISSUE DATE: 27/11/20

#### HEAD OFFICE

The Science Park  
Abingdon  
Oxfordshire OX14 3YT  
United Kingdom

#### SHOWROOM

23 Bowling Green Lane  
Clerkenwell  
London EC1R 0BD  
United Kingdom

#### FRANCE

28 Rue Charles  
Baudelaire  
75012 Paris  
France

#### SWITZERLAND

St. Urbangasse 53  
Postfach 1738  
CH-4502 Solothurn  
Switzerland