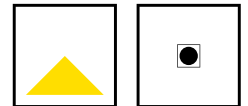




MINI DOWNLIGHT



KEY FEATURES

- Recessed Miniature Downlight
- Fixed and Adjustable versions
- Matt White or Matt Black Trim
- CREE 4.5W LED Engines
- CRI 90+ as standard
- 20°, 38°, 60° beam angles
- Fixed Output remote driver
- 2700K, 3000K and 4000K colour temperatures
- Deep recessed LED versions for glare control



**60 YEARS
IN LIGHT**

CALL: +44 (0) 1235 55 37 69
EMAIL: sales@optelma.co.uk
ISSUE DATE: 27/11/20

HEAD OFFICE
The Science Park
Abingdon
Oxfordshire OX14 3YT
United Kingdom

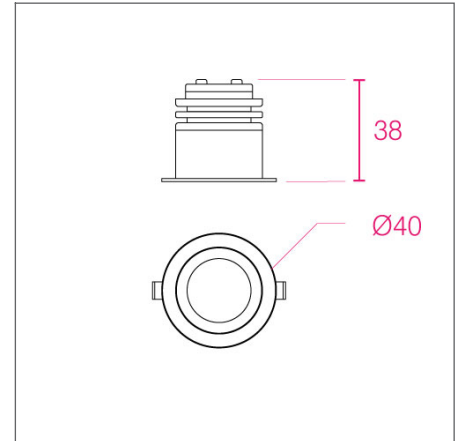
SHOWROOM
23 Bowling Green Lane
Clerkenwell
London EC1R 0BD
United Kingdom

FRANCE
28 Rue Charles
Baudelaire
75012 Paris
France

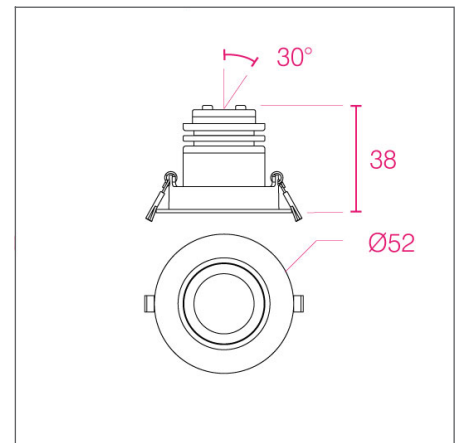
SWITZERLAND
St. Urbangasse 53
Postfach 1738
CH-4502 Solothurn
Switzerland

MINI DOWNLIGHT SPECIFICATIONS

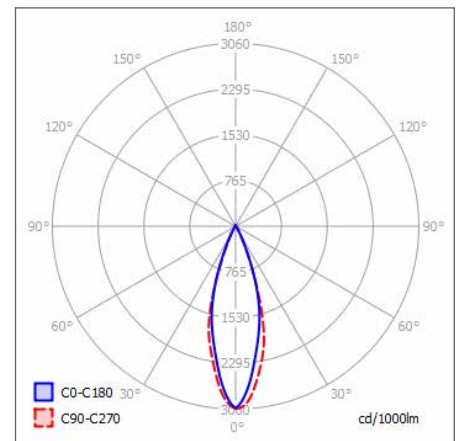
PRODUCT OPTIONS	
Dimensions (mm):	See table below
Weight (kg):	< 0.5 kg
Lifetime:	50,000 hrs
Mounting type:	Recessed with Trim
Finish:	Matt White, Matt Black
Emergency:	Emergency conversions on request
Operating voltage:	230V
IP Rating:	IP20
Direct Light source:	Low Power CREE LED
Driver:	Fixed Output
Colour temperature:	3000K, 4000K, 6000K
Beam Angle:	20°, 38°, 60°
Diffuser:	N/A
CRI:	90+
Optional Extras:	Deep-recessed low-glare option with set-back LED source



XEN+ 9W DIMENSIONS (MM)



XEN+ 15W DIMENSIONS (MM)



POLAR CURVE 4000K

CHOOSE FROM OUR RANGE OF SIZES AND OUTPUTS

Product	Dimensions	Cut-out	Output*
MINI Standard	Ø40 x 38 (H)	Ø35 mm	105 lm / 4.5 W
MINI Adjustable	Ø52 x 38 (H)	Ø45 mm	105 lm / 4.5 W
MINI Anti-glare	Ø40 x 51 (H)	Ø35 mm	105 lm / 4.5 W
MINI Adj. Anti-glare	Ø52 x 50 (H)	Ø45 mm	105 lm / 4.5 W

* Figures shown for 4000K 20° outputs



60 YEARS
IN LIGHT

CALL: +44 (0) 1235 55 37 69

EMAIL: sales@optelma.co.uk

ISSUE DATE: 27/11/20

HEAD OFFICE

The Science Park
Abingdon
Oxfordshire OX14 3YT
United Kingdom

SHOWROOM

23 Bowling Green Lane
Clerkenwell
London EC1R 0BD
United Kingdom

FRANCE

28 Rue Charles
Baudelaire
75012 Paris
France

SWITZERLAND

St. Urbangasse 53
Postfach 1738
CH-4502 Solothurn
Switzerland

MINI DOWNLIGHT COMPONENTS



MINI STANDARD
Fixed CREE LED.



MINI ADJUSTABLE
30° Adjustable LED.



LOW-GLARE MINI
Fixed CREE LED, with
set-back reflector for
glare control.



**LOW-GLARE MINI
ADJUSTABLE**
30° Adjustable LED,
with set-back reflector
for glare control.



**PREMIUM
DRIVERS**
High quality Fixed
Output LED drivers.



**60 YEARS
IN LIGHT**

CALL: +44 (0) 1235 55 37 69
EMAIL: sales@optelma.co.uk

ISSUE DATE: 27/11/20

HEAD OFFICE
The Science Park
Abingdon
Oxfordshire OX14 3YT
United Kingdom

SHOWROOM
23 Bowling Green Lane
Clerkenwell
London EC1R 0BD
United Kingdom

FRANCE
28 Rue Charles
Baudelaire
75012 Paris
France

SWITZERLAND
St. Urbangasse 53
Postfach 1738
CH-4502 Solothurn
Switzerland

MINI DOWNLIGHT SPECIFICATION CODE

AAAA - BB/C/D/E - F/GGG - HHH/I								
AAAA PRODUCT ID	BB MOUNTING	C FINISH	D DRIVER	E BEAM ANGLE	F DIRECT LED	GGG CRI/ COLOUR	HHH DIAMETER/ SIZE (mm)	I EMERGENCY
MINI	RE AG	W B X*	F	S M F	L	930 940 960	40	N/A

- * **X** Custom Options - specify details alongside code
- PRODUCT ID **MINI** MINI Downlight
- MOUNTING **RE** Recessed with Trim, **AG** Deep Recessed Anti-Glare trim
- FINISH **W** Matt White, **B** Matt Black
- DRIVER **F** Fixed Output
- BEAM ANGLE **S** 20° Spot, **M** 38° Medium, **F** 60° Flood
- DIRECT LED **L** Low power 4.5W
- CRI / COLOUR **930** CRI 90+ Colour 3000K, **940** CRI 90+ Colour 4000K, **960** CRI 90+ Colour 6000K
- DIAMETER / SIZE Luminaire diameter in millimetres
- EMERGENCY N/A

'+ADJUSTABLE' - specify details alongside code

STANDARD

Standard fixed option products for quick and easy specification. Point source LED and Linear LED solutions, organised into Track & Spots, Downlights, Recessed, Surface, Suspended and Wall mounted solutions.

MADE-TO-MEASURE

Versatile systems and luminaires with custom specifications for project-specific lighting. Available in custom sizes and lengths, with many options including curves, corners, finishes, integrated accessories and more.

BESPOKE

Bespoke luminaires demonstrating completely custom project solutions, designed with the clients from concept to delivery. Learn about the design process and inspire your next bespoke lighting project.



**60 YEARS
IN LIGHT**

CALL: +44 (0) 1235 55 37 69
EMAIL: sales@optelma.co.uk
ISSUE DATE: 27/11/20

HEAD OFFICE

The Science Park
Abingdon
Oxfordshire OX14 3YT
United Kingdom

SHOWROOM

23 Bowling Green Lane
Clerkenwell
London EC1R 0BD
United Kingdom

FRANCE

28 Rue Charles
Baudelaire
75012 Paris
France

SWITZERLAND

St. Urbangasse 53
Postfach 1738
CH-4502 Solothurn
Switzerland