



KARMA MINI

DOWNLIGHT



KEY FEATURES

- Recessed with Trim or integrated into profiles
- Adjustable single-hinge 90° drop down with 355° rotation
- XICATO or PHILIPS White LED chips
- 7.2W and 900 lumen output
- 20° Spot, 40° Medium and 60° Flood beam angles
- 2700K, 3000K, 3500K and 4000K colour temperatures
- Fixed Output, 1-10V, DALI Dimming or Casambi control
- Honeycomb, Ring and Cone anti-glare accessories
- Matt White, Matt Black and Anodised Aluminium finishes



XICATO PHILIPS CASAMBI

**60 YEARS
IN LIGHT**

CALL: +44 (0) 1235 55 37 69
EMAIL: sales@optelma.co.uk

ISSUE DATE: 23/11/20

HEAD OFFICE

The Science Park
Abingdon
Oxfordshire OX14 3YT
United Kingdom

SHOWROOM

23 Bowling Green Lane
Clerkenwell
London EC1R 0BD
United Kingdom

FRANCE

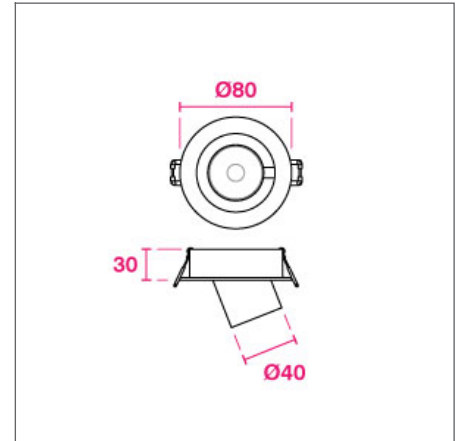
28 Rue Charles
Baudelaire
75012 Paris
France

SWITZERLAND

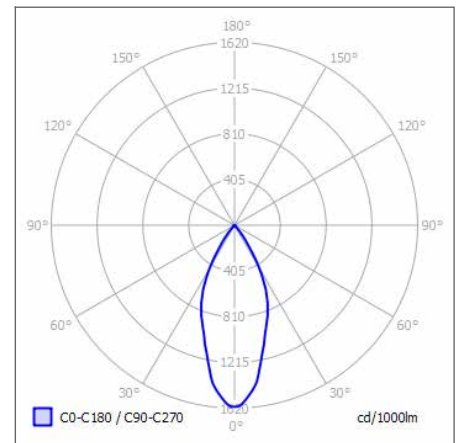
St. Urbangasse 53
Postfach 1738
CH-4502 Solothurn
Switzerland

KARMA MINI DOWNLIGHT SPECIFICATIONS

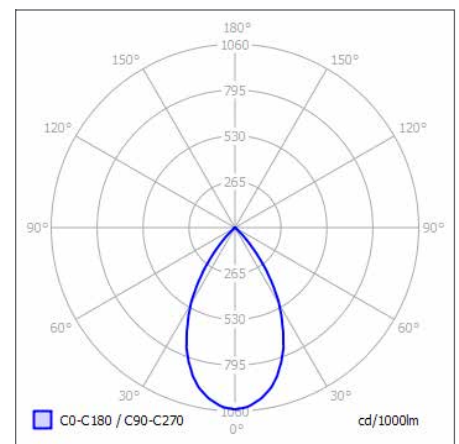
PRODUCT OPTIONS	
Dimensions (mm):	Trim: 80 (Ø) x 30 (H) Spot: 40 (Ø) x 40 (H)
Lifetime:	50,000 hrs
Mounting type:	Recessed with Trim, Integrated within a profile*
Finish:	Matt White, Matt Black, Anodised Aluminium*
Emergency:	DALI or Standard Remote 3-hour Battery with indicator LED
Operating voltage:	230V
IP Rating:	IP20
Light source:	Xicato LED, Philips LED*
Driver:	Fixed Output, 1-10V, DALI, Casambi
Colour temperature:	2700K, 3000K, 3500K, 4000K
Beam Angle:	20° Spot, 40° Medium, 60° Flood
CRI:	CRI 90+
Optional Extras:	Anti-glare accessories: Honeycomb, Ring, Cone



DIMENSIONS (MM)



POLAR CURVE 4000K - 40°



POLAR CURVE 4000K - 60°

* Specify profile separately. Alternative RAL finishes on request. High CRI Samsung LED on request.

■ SELECT A PROJECT SPECIFIC LIGHT OUTPUT

RECESSED WITH TRIM		
Light Source	Output lm	Power W
1 x Xicato LED	900 lm	7.2 W
1 x Philips LED	900 lm	7.2 W

* Luminaire source lumens at 4000K.



XICATO PHILIPS CASAMBI

**60 YEARS
IN LIGHT**

CALL: +44 (0) 1235 55 37 69
EMAIL: sales@optelma.co.uk

ISSUE DATE: 23/11/20

HEAD OFFICE

The Science Park
Abingdon
Oxfordshire OX14 3YT
United Kingdom

SHOWROOM

23 Bowling Green Lane
Clerkenwell
London EC1R 0BD
United Kingdom

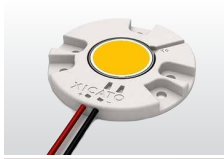
FRANCE

28 Rue Charles
Baudelaire
75012 Paris
France

SWITZERLAND

St. Urbangasse 53
Postfach 1738
CH-4502 Solothurn
Switzerland

KARMA MINI DOWNLIGHT COMPONENTS



XICATO XTM LED
The Xicato Artist LED range, CRI 95.



PHILIPS SLM LED
The Philips Fortimo LED range, CRI 90.



PREMIUM DRIVERS
Fixed Output, 1-10V and DALI drivers.



CONE ANTI-GLARE
Anti-glare accessory. Specification Code: +C



RING ANTI-GLARE
Anti-glare accessory. Specification Code: +R



HONEYCOMB ANTI-GLARE
Anti-glare accessory. Specification Code: +H



XICATO PHILIPS CASAMBI

**60 YEARS
IN LIGHT**

CALL: +44 (0) 1235 55 37 69
EMAIL: sales@optelma.co.uk
ISSUE DATE: 23/11/20

HEAD OFFICE

The Science Park
Abingdon
Oxfordshire OX14 3YT
United Kingdom

SHOWROOM

23 Bowling Green Lane
Clerkenwell
London EC1R 0BD
United Kingdom

FRANCE

28 Rue Charles
Baudelaire
75012 Paris
France

SWITZERLAND

St. Urbangasse 53
Postfach 1738
CH-4502 Solothurn
Switzerland

KARMA MINI DOWNLIGHT SPECIFICATION CODE

AAAA - BB/C/D/E - F/GGG - HHH/I								
AAAA PRODUCT ID	BB MOUNTING	C FINISH	D DRIVER	E BEAM ANGLE	F DIRECT LED	GGG CRI/ COLOUR	HHH DIAMETER/ SIZE (mm)	I EMERGENCY
KARM	RE	B W A X*	F D 1 S C	S M F	X P S	927 930 935 940	080	E DE

- * **X** Custom Options - specify details alongside code
- PRODUCT ID **KARM** Karma Mini
- MOUNTING **RE** Recessed
- FINISH **B** Matt Black, **W** Matt White, **A** Anodised Aluminium
- DRIVER **F** Fixed Output, **D** DALI, **1** 1-10V, **S** Switch Dim, **C** Casambi
- BEAM ANGLE **S** 20° Spot, **M** 40° Medium, **F** 60° Flood
- DIRECT LED **X** Xicato LED, **P** Philips LED, **S** Samsung LED (High CRI)
- CRI / COLOUR **927** CRI 90+ Colour 2700K, **930** CRI 90+ Colour 3000K, **935** CRI 90+ Colour 3500K, **940** CRI 90+ Colour 4000K
- DIAMETER / SIZE Downlight diameter in millimetres
- EMERGENCY **E** Standard Emergency, **DE** DALI Emergency - specify details alongside code

Specify anti-glare accessories alongside code:

+C Cone Anti-Glare, **+R** Ring Anti-Glare, **+H** Honeycomb Anti-Glare

STANDARD

Standard fixed option products for quick and easy specification. Point source LED and Linear LED solutions, organised into Track & Spots, Downlights, Recessed, Surface, Suspended and Wall mounted solutions.

MADE-TO-MEASURE

Versatile systems and luminaires with custom specifications for project-specific lighting. Available in custom sizes and lengths, with many options including curves, corners, finishes, integrated accessories and more.

BESPOKE

Bespoke luminaires demonstrating completely custom project solutions, designed with the clients from concept to delivery. Learn about the design process and inspire your next bespoke lighting project.



XICATO PHILIPS CASAMBI

**60 YEARS
IN LIGHT**

CALL: +44 (0) 1235 55 37 69
EMAIL: sales@optelma.co.uk

ISSUE DATE: 23/11/20

HEAD OFFICE

The Science Park
Abingdon
Oxfordshire OX14 3YT
United Kingdom

SHOWROOM

23 Bowling Green Lane
Clerkenwell
London EC1R 0BD
United Kingdom

FRANCE

28 Rue Charles
Baudelaire
75012 Paris
France

SWITZERLAND

St. Urbangasse 53
Postfach 1738
CH-4502 Solothurn
Switzerland