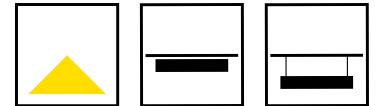




# IRNO

## PENDANT/CEILING LIGHT



### KEY FEATURES

- Surface mounted and Suspended linear luminaires
- 600mm to 1475mm lengths with rounded end-caps
- Direct lighting in 2700K, 3000K or 4000K CCT
- A range of dimming/control options including Fixed Output, 1-10V, DALI, Touch-Dim or Casambi control
- High quality CRI 80+ or CRI 90+ LEDs
- Integrated 3 hour emergency conversions available
- White, Black, Silver, Graphite, Champagne and Copper finishes



**CASAMBI**

**60 YEARS  
IN LIGHT**

#### FOR MORE INFORMATION OR TO TALK ABOUT A PROJECT:

CALL: +44 (0) 1235 55 37 69  
EMAIL: [sales@optelma.co.uk](mailto:sales@optelma.co.uk)

ISSUE DATE: 12/01/21

**HEAD OFFICE**  
The Science Park  
Abingdon  
Oxfordshire  
OX14 3YT

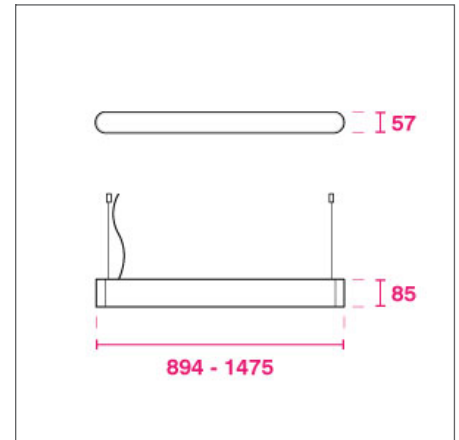
**SHOWROOM**  
23 Bowling Green Lane  
Clerkenwell  
London  
EC1R 0BD

**PARIS OFFICE**  
28 Rue Charles  
Baudelaire  
75012 Paris  
France

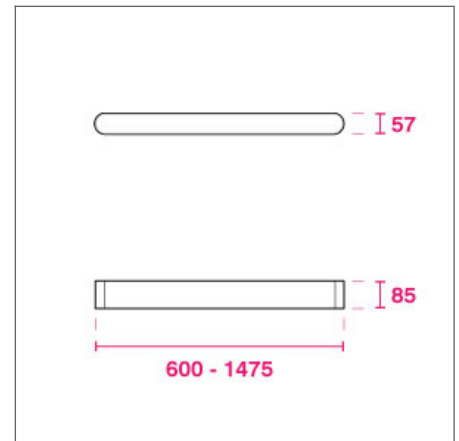
**SWISS OFFICE**  
St. Urbangasse 53  
Postfach 1738  
CH-4502 Solothurn  
Switzerland

## IRNO DIRECT SPECIFICATIONS

PRODUCT OPTIONS	
Dimensions (mm):	85 (H) x 57 (W) x Various Lengths (below)
Cut-out (mm):	N/A
Lifetime:	50,000 hrs
Mounting type:	Surface Mounted, Suspended Parallel
Finish:	Black, White, Silver, Graphite, Champagne, Copper
Emergency:	Standard 3 hour emergency conversion
Operating voltage:	230V
IP Rating:	IP20
Light source:	Medium Power LED, High Power LED
Driver:	Fixed Output, 1-10V, DALI, Touch Dim, Casambi control
Colour temperature:	2200K, 2700K, 3000K, 3500K, 4000K, 6500K
Beam Angle:	N/A
Diffuser:	Opal, MPO
CRI:	CRI80, CRI90
Optional Extras:	Custom finishes and more on request



SUSPENDED DIMENSIONS (MM)



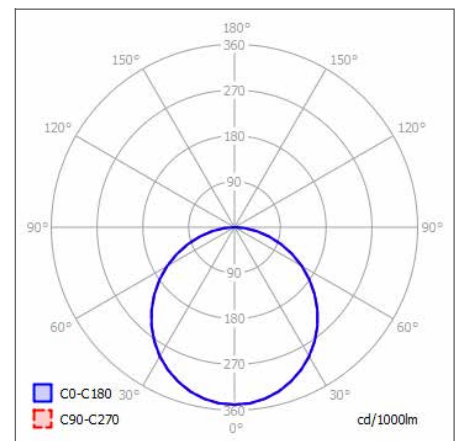
SURFACE DIMENSIONS (MM)

### CHOOSE A LENGTH TO SUIT YOUR PROJECT

Surface L (mm)	Medium Power Direct Opal*	High Power Direct Opal*	Medium Power Direct MPO*	High Power Direct MPO*
600	1490lm/16W	2160lm/24W	1060lm/16W	1530lm/24W
894	2240lm/22W	3230lm/34W	1580lm/22W	2290lm/34W
1182	2980lm/28W	4310lm/43W	2110lm/28W	3050lm/43W
1475	3730lm/34W	5390lm/52W	2640lm/34W	3820lm/52W

Susp. Pendant	Medium Power Direct Opal*	High Power Direct Opal*	Medium Power Direct MPO*	High Power Direct MPO*
894	2240lm/22W	3230lm/34W	1580lm/22W	2290lm/34W
1182	2980lm/28W	4310lm/43W	2110lm/28W	3050lm/43W
1475	3730lm/34W	5390lm/52W	2640lm/34W	3820lm/52W

\* Luminaire luminous flux at 4000K LED.



POLAR CURVE 4000K OPAL DIRECT



**CASAMBI**

**60 YEARS  
IN LIGHT**

#### FOR MORE INFORMATION OR TO TALK ABOUT A PROJECT:

CALL: +44 (0) 1235 55 37 69  
EMAIL: sales@optelma.co.uk  
ISSUE DATE: 12/01/21

**HEAD OFFICE**  
The Science Park  
Abingdon  
Oxfordshire  
OX14 3YT

**SHOWROOM**  
23 Bowling Green Lane  
Clerkenwell  
London  
EC1R 0BD

**PARIS OFFICE**  
28 Rue Charles  
Baudelaire  
75012 Paris  
France

**SWISS OFFICE**  
St. Urbangasse 53  
Postfach 1738  
CH-4502 Solothurn  
Switzerland

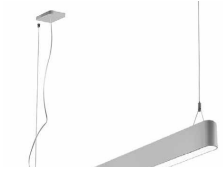
**IRNO DIRECT COMPONENTS**



**MATT WHITE**  
Powder-coated Matt  
White painted finish.



**GRAPHITE**  
Powder-coated  
graphite finish.



**PARALLEL  
SUSPENSION**  
Stainless steel cable,  
Max height 1500mm.



**MATT BLACK**  
Powder-coated Matt  
Black painted finish.



**CHAMPAGNE**  
Powder-coated  
champagne finish.



**MPO DIFFUSER**  
Microprismatic  
diffuser for glare  
control.



**MATT SILVER**  
Powder-coated Matt  
Silver painted finish.



**CHAMPAGNE**  
Powder-coated satin  
copper finish.



**OPAL DIFFUSER**  
Satin opal diffuser  
for homogeneous  
efficient lighting.



**60 YEARS  
IN LIGHT**

**FOR MORE INFORMATION  
OR TO TALK ABOUT A PROJECT:**

CALL: +44 (0) 1235 55 37 69  
EMAIL: [sales@optelma.co.uk](mailto:sales@optelma.co.uk)

ISSUE DATE: 12/01/21

**HEAD OFFICE**  
The Science Park  
Abingdon  
Oxfordshire  
OX14 3YT

**SHOWROOM**  
23 Bowling Green Lane  
Clerkenwell  
London  
EC1R 0BD

**PARIS OFFICE**  
28 Rue Charles  
Baudelaire  
75012 Paris  
France

**SWISS OFFICE**  
St. Urbangasse 53  
Postfach 1738  
CH-4502 Solothurn  
Switzerland

## IRNO DIRECT SPECIFICATION CODE

AAAA - BB/C/D/E - F/GGG - HHHH/I								
AAAA PRODUCT ID	BB MOUNTING	C FINISH	D DRIVER	E DIFFUSER	F DIRECT LED	GGG CRI / COLOUR	HHH LENGTH / SIZE (mm)	I EMERGENCY
IRNO	SM SP	B W S G H C X*	F D 1 T C	O M	M H	827 830 840 927 930 940	0600 0894 1182 1475	E

- \* **X** Custom Options - specify details alongside code
- PRODUCT ID **'IRNO'** IRNO Direct Ceiling Light
- MOUNTING **'SM'** Surface Mounted, **'SP'** Suspended Parallel
- FINISH **'B'** Black, **'W'** White, **'S'** Silver, **'G'** Graphite, **'H'** Champagne Silver, **'C'** Satin Copper
- DRIVER **'F'** Fixed Output, **'D'** DALI, **'1'** 1-10V, **'T'** Touch Dim, **'C'** Casambi control
- DIFFUSER **'O'** Opal, **'M'** MPO
- DIRECT LED **'M'** Medium power LED, **'H'** High power LED
- DIRECT LED CRI / COLOUR **'827'** CRI 80+ Colour 2700K, **'830'** CRI 80+ Colour 3000K, **'840'** CRI 80+ Colour 4000K, **'927'** CRI 90+ Colour 2700K, **'930'** CRI 90+ Colour 3000K, **'940'** CRI 90+ Colour 4000K
- LENGTH / SIZE Length/Size in millimetres
- EMERGENCY **'E'** Standard Integrated Emergency - specify details alongside code

### STANDARD

Standard fixed option products for quick and easy specification. Point source LED and Linear LED solutions, organised into Track & Spots, Downlights, Recessed, Surface, Suspended and Wall mounted solutions.

### MADE-TO-MEASURE

Versatile systems and luminaires with custom specifications for project-specific lighting. Available in custom sizes and lengths, with many options including curves, corners, finishes, integrated accessories and more.

### BESPOKE

Bespoke luminaires demonstrating completely custom project solutions, designed with the clients from concept to delivery. Learn about the design process and inspire your next bespoke lighting project.



**CASAMBI**

**60 YEARS  
IN LIGHT**

#### FOR MORE INFORMATION OR TO TALK ABOUT A PROJECT:

CALL: +44 (0) 1235 55 37 69  
EMAIL: sales@optelma.co.uk

ISSUE DATE: 12/01/21

**HEAD OFFICE**  
The Science Park  
Abingdon  
Oxfordshire  
OX14 3YT

**SHOWROOM**  
23 Bowling Green Lane  
Clerkenwell  
London  
EC1R 0BD

**PARIS OFFICE**  
28 Rue Charles  
Baudelaire  
75012 Paris  
France

**SWISS OFFICE**  
St. Urbangasse 53  
Postfach 1738  
CH-4502 Solothurn  
Switzerland