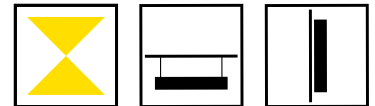


IRNO+

PENDANT/WALL LIGHT



KEY FEATURES

- Wall mounted and Suspended direct-indirect linear luminaires
- 894mm to 1475mm lengths with rounded end-caps, including Mini 152mm standalone wall light
- Direct-Indirect lighting in 2700K, 3000K or 4000K CCT
- A range of dimming/control options including Fixed Output, 1-10V, DALI, Touch-Dim or Casambi control
- High quality CRI 80+ or CRI 90+ LEDs
- Integrated 3 hour emergency conversions available
- White, Black, Silver, Graphite, Champagne and Copper finishes



CASAMBI

**60 YEARS
IN LIGHT**

**FOR MORE INFORMATION
OR TO TALK ABOUT A PROJECT:**

CALL: +44 (0) 1235 55 37 69
EMAIL: sales@optelma.co.uk

ISSUE DATE: 12/01/21

HEAD OFFICE
The Science Park
Abingdon
Oxfordshire
OX14 3YT

SHOWROOM
23 Bowling Green Lane
Clerkenwell
London
EC1R 0BD

PARIS OFFICE
28 Rue Charles
Baudelaire
75012 Paris
France

SWISS OFFICE
St. Urbangasse 53
Postfach 1738
CH-4502 Solothurn
Switzerland

IRNO+ DIRECT-INDIRECT SPECIFICATIONS

PRODUCT OPTIONS	
Dimensions (mm):	125 (H) x 57 (W) x Various Lengths (below)
Cut-out (mm):	N/A
Lifetime:	50,000 hrs
Mounting type:	Wall Mounted, Suspended Parallel
Finish:	Black, White, Silver, Graphite, Champagne, Copper
Emergency:	Standard 3 hour emergency conversion
Operating voltage:	230V
IP Rating:	IP20
Light source:	Direct-Indirect Medium Power LED, Direct-Indirect High Power LED
Driver:	Fixed Output, 1-10V, DALI, Touch Dim, Casambi control
Colour temperature:	2200K, 2700K, 3000K, 3500K, 4000K, 6500K
Beam Angle:	N/A
Diffuser:	Opal, MPO
CRI:	CRI80, CRI90
Optional Extras:	Custom finishes, Y-cord suspension and more on request

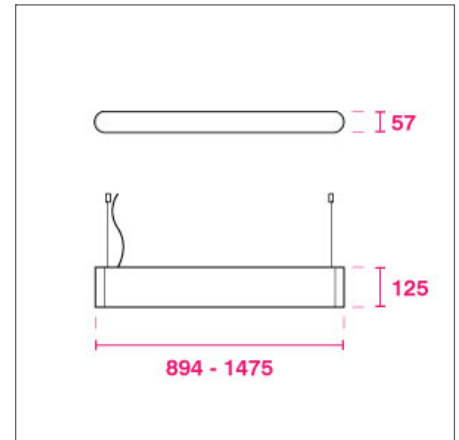
■ CHOOSE A LENGTH TO SUIT YOUR PROJECT

Mini Wall L (mm)	Medium Power Dir./Ind. Opal*
152	1000lm/13W

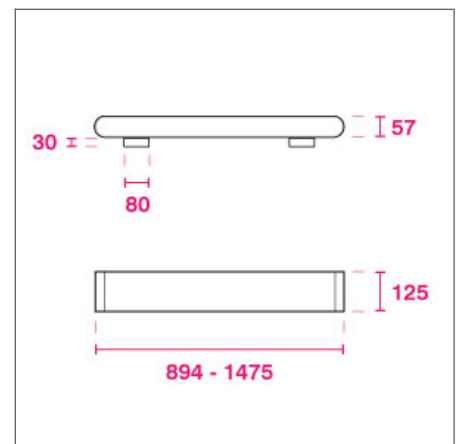
Wall L (mm)	Medium Power Dir./Ind. Opal*	High Power Dir./Ind. Opal*	Medium Power Dir./Ind. MPO*	High Power Dir./Ind. MPO*
894	3910lm/36W	5520lm/53W	3260lm/36W	4580lm/53W
1182	5280lm/46W	7460lm/68W	4410lm/46W	6200lm/68W
1475	6650lm/57W	9400lm/83W	5560lm/57W	7830lm/83W

Susp. Pendant	Medium Power Dir./Ind. Opal*	High Power Dir./Ind. Opal*	Medium Power Dir./Ind. MPO*	High Power Dir./Ind. MPO*
894	3910lm/36W	5520lm/53W	3260lm/36W	4580lm/53W
1182	5280lm/46W	7460lm/68W	4410lm/46W	6200lm/68W
1475	6650lm/57W	9400lm/83W	5560lm/57W	7830lm/83W

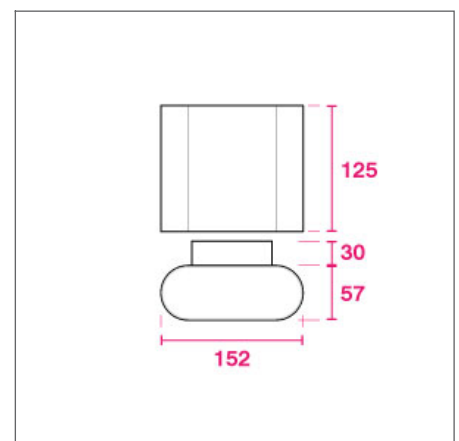
* Luminaire luminous flux at 4000K LED.



SUSPENDED DIMENSIONS (MM)



WALL MOUNTED DIMENSIONS (MM)



MINI WALL MOUNTED DIMENSIONS (MM)



FOR MORE INFORMATION OR TO TALK ABOUT A PROJECT:

CALL: +44 (0) 1235 55 37 69
EMAIL: sales@optelma.co.uk
ISSUE DATE: 12/01/21

HEAD OFFICE
The Science Park
Abingdon
Oxfordshire
OX14 3YT

SHOWROOM
23 Bowling Green Lane
Clerkenwell
London
EC1R 0BD

PARIS OFFICE
28 Rue Charles
Baudelaire
75012 Paris
France

SWISS OFFICE
St. Urbangasse 53
Postfach 1738
CH-4502 Solothurn
Switzerland

IRNO+ DIRECT-INDIRECT COMPONENTS



MATT WHITE
Powder-coated Matt
White painted finish.



GRAPHITE
Powder-coated
graphite finish.



**PARALLEL
SUSPENSION**
Stainless steel cable,
Max height 1500mm.



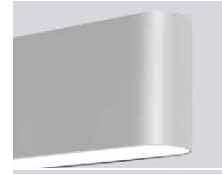
MATT BLACK
Powder-coated Matt
Black painted finish.



CHAMPAGNE
Powder-coated
champagne finish.



MPO DIFFUSER
Microprismatic
diffuser for glare
control.



MATT SILVER
Powder-coated Matt
Silver painted finish.



CHAMPAGNE
Powder-coated satin
copper finish.



OPAL DIFFUSER
Satin opal diffuser
for homogeneous
efficient lighting.



CASAMBI

**60 YEARS
IN LIGHT**

**FOR MORE INFORMATION
OR TO TALK ABOUT A PROJECT:**

CALL: +44 (0) 1235 55 37 69
EMAIL: sales@optelma.co.uk

ISSUE DATE: 12/01/21

HEAD OFFICE
The Science Park
Abingdon
Oxfordshire
OX14 3YT

SHOWROOM
23 Bowling Green Lane
Clerkenwell
London
EC1R 0BD

PARIS OFFICE
28 Rue Charles
Baudelaire
75012 Paris
France

SWISS OFFICE
St. Urbangasse 53
Postfach 1738
CH-4502 Solothurn
Switzerland

IRNO+ DIRECT-INDIRECT SPECIFICATION CODE

AAAA - BB/C/D/E - F/GGG - F/GGG - HHHH/I										
AAAA PRODUCT ID	BB MOUNTING	C FINISH	D DRIVER	E DIFFUSER	F DIRECT LED	GGG CRI / COLOUR	F INDIRECT LED	GGG CRI / COLOUR	HHH LENGTH / SIZE (mm)	I EMERGENCY
IRNO	WM SP	B W S G H C X*	F D 1 T C	O M	M H	827 830 840 927 930 940	M H	827 830 840 927 930 940	0152 0894 1182 1475	E

- * **X** Custom Options - specify details alongside code
- PRODUCT ID **'IRNO'** IRNO+ Direct-Indirect Ceiling Light
- MOUNTING **'WM'** Wall Mounted, **'SP'** Suspended Parallel
- FINISH **'B'** Black, **'W'** White, **'S'** Silver, **'G'** Graphite, **'H'** Champagne Silver, **'C'** Satin Copper
- DRIVER **'F'** Fixed Output, **'D'** DALI, **'1'** 1-10V, **'T'** Touch Dim, **'C'** Casambi control
- DIFFUSER **'O'** Opal, **'M'** MPO
- DIRECT LED **'M'** Medium power LED, **'H'** High power LED
- CRI / COLOUR **'827'** CRI 80+ Colour 2700K, **'830'** CRI 80+ Colour 3000K, **'840'** CRI 80+ Colour 4000K
'927' CRI 90+ Colour 2700K, **'930'** CRI 90+ Colour 3000K, **'940'** CRI 90+ Colour 4000K
- INDIRECT LED **'M'** Medium power LED, **'H'** High power LED
- CRI / COLOUR **'827'** CRI 80+ Colour 2700K, **'830'** CRI 80+ Colour 3000K, **'840'** CRI 80+ Colour 4000K
'927' CRI 90+ Colour 2700K, **'930'** CRI 90+ Colour 3000K, **'940'** CRI 90+ Colour 4000K
- LENGTH / SIZE Length/Size in millimetres
- EMERGENCY **'E'** Standard Integrated Emergency - specify details alongside code

STANDARD

Standard fixed option products for quick and easy specification. Point source LED and Linear LED solutions, organised into Track & Spots, Downlights, Recessed, Surface, Suspended and Wall mounted solutions.

MADE-TO-MEASURE

Versatile systems and luminaires with custom specifications for project-specific lighting. Available in custom sizes and lengths, with many options including curves, corners, finishes, integrated accessories and more.

BESPOKE

Bespoke luminaires demonstrating completely custom project solutions, designed with the clients from concept to delivery. Learn about the design process and inspire your next bespoke lighting project.



CASAMBI

**60 YEARS
IN LIGHT**

FOR MORE INFORMATION OR TO TALK ABOUT A PROJECT:

CALL: +44 (0) 1235 55 37 69
 EMAIL: sales@optelma.co.uk

ISSUE DATE: 12/01/21

HEAD OFFICE
 The Science Park
 Abingdon
 Oxfordshire
 OX14 3YT

SHOWROOM
 23 Bowling Green Lane
 Clerkenwell
 London
 EC1R 0BD

PARIS OFFICE
 28 Rue Charles
 Baudelaire
 75012 Paris
 France

SWISS OFFICE
 St. Urbangasse 53
 Postfach 1738
 CH-4502 Solothurn
 Switzerland