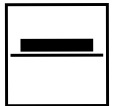




# HATCH

ROUND / SQUARE



## KEY FEATURES

- Seamlessly recessed plaster hatches for remote driver access
- Protruding or sunken sculpted funnel for pendant power cable
- A choice of Round or Square hatch forms
- High strength reinforced natural gypsum plaster from France
- Lift-and-tilt driver access for wiring/gear behind ceiling
- Natural plaster finish can be painted on-site
- The perfect companion for any suspended light fitting



atelier sedap **CASAMBI**

**60 YEARS  
IN LIGHT**

CALL: +44 (0) 1235 55 37 69  
EMAIL: sales@optelma.co.uk  
ISSUE DATE: 21/01/21

**HEAD OFFICE**  
The Science Park  
Abingdon  
Oxfordshire OX14 3YT  
United Kingdom

**SHOWROOM**  
23 Bowling Green Lane  
Clerkenwell  
London EC1R 0BD  
United Kingdom

**FRANCE**  
28 Rue Charles  
Baudelaire  
75012 Paris  
France

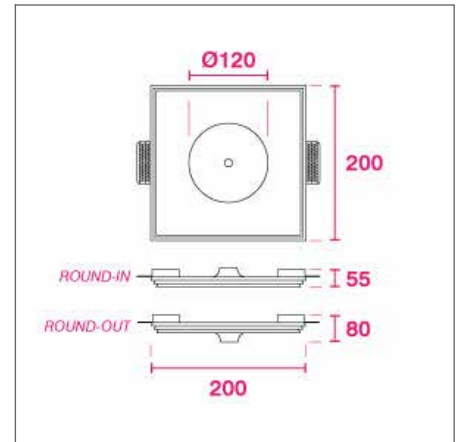
**SWITZERLAND**  
St. Urbangasse 53  
Postfach 1738  
CH-4502 Solothurn  
Switzerland

## HATCH SPECIFICATIONS

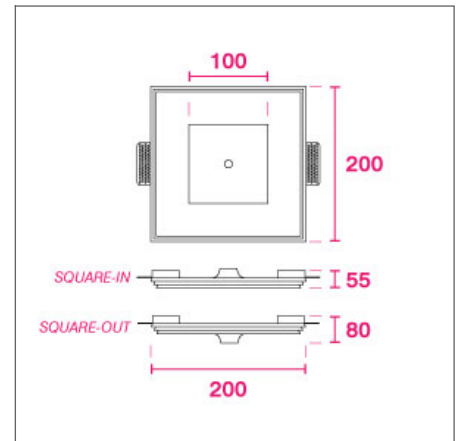
PRODUCT OPTIONS	
Dimensions (mm):	100x100 sq. or 120Ø x 55-80 (D)
Cut-out (mm):	200x200 (W)
Weight (kg):	1.0 kg
Lifetime:	50,000 hrs
Mounting type:	Recessed Plaster-in
Finish:	Natural Plaster
Emergency:	N/A (Separate Emergency lighting products available on request)
Operating voltage:	N/A
IP Rating:	IP20
Light source:	N/A
Driver:	N/A
Colour temperature:	N/A
Beam Angle:	N/A
Diffuser:	N/A
CRI:	N/A
Optional Extras:	N/A

### CHOOSE A STYLE

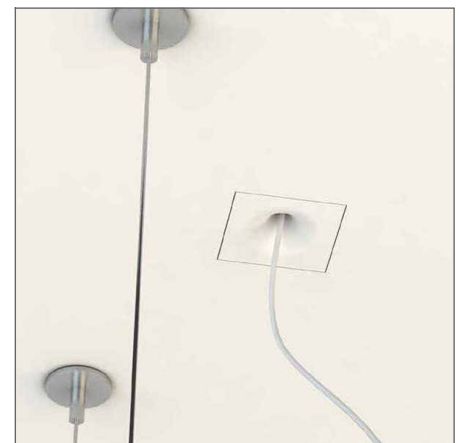
Hatch panel shape	Hatch panel dimensions	Cut-out dimensions
Round-in	120Ø x 55 (H)	200x200 (W) x 55 (H)
Round-out	120Ø x 80 (H)	200x200 (W) x 80 (H)
Square-in	100x100 (W) x 55 (H)	200x200 (W) x 55 (H)
Square-out	100x100 (W) x 80 (H)	200x200 (W) x 80 (H)



HATCH ROUND DIMENSIONS (MM)



HATCH SQUARE DIMENSIONS (MM)



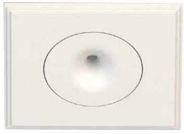
PARALLEL



---

## HATCH COMPONENTS

---



**ROUND-IN**  
Circular cut-out with  
sunken funnel.



**ROUND-OUT**  
Circular cut-out with  
protruding funnel.



**SQUARE-IN**  
Square cut-out with  
sunken funnel.



**SQUARE-OUT**  
Square cut-out with  
protruding funnel.



atelier sedap **CASAMBI**

---

**60 YEARS  
IN LIGHT**

CALL: +44 (0) 1235 55 37 69  
EMAIL: [sales@optelma.co.uk](mailto:sales@optelma.co.uk)

ISSUE DATE: 18/01/21

**HEAD OFFICE**

The Science Park  
Abingdon  
Oxfordshire OX14 3YT  
United Kingdom

**SHOWROOM**

23 Bowling Green Lane  
Clerkenwell  
London EC1R 0BD  
United Kingdom

**FRANCE**

28 Rue Charles  
Baudelaire  
75012 Paris  
France

**SWITZERLAND**

St. Urbangasse 53  
Postfach 1738  
CH-4502 Solothurn  
Switzerland

## HATCH SPECIFICATION CODE

AAAA - BB/C/D/E - F/GGG - HHHH/I								
AAAA PRODUCT ID	BB MOUNTING	C FINISH	D TYPE/ STYLE	E DIFFUSER	F INDIRECT LED	GGG CRI/ COLOUR	HHH DIAMETER/ SIZE (mm)	I EMERGENCY
HATR HATS	PI	P	I O	N	N	N	200	N/A

*	<b>X'</b> Custom Options - specify details alongside code
PRODUCT ID	<b>HATR'</b> Hatch Round, <b>HATS'</b> Hatch Square
MOUNTING	<b>PI'</b> Plaster-in Recessed
FINISH	<b>P'</b> Natural Plaster
TYPE/STYLE	<b>I'</b> IN (Sunken Funnel), <b>O'</b> OUT (Protruding Funnel)
DIFFUSER	N/A
INDIRECT LED	N/A
CRI / COLOUR	N/A
DIAMETER / SIZE	Size in millimetres
EMERGENCY	N/A

### STANDARD

Standard fixed option products for quick and easy specification. Point source LED and Linear LED solutions, organised into Track & Spots, Downlights, Recessed, Surface, Suspended and Wall mounted solutions.

### MADE-TO-MEASURE

Versatile systems and luminaires with custom specifications for project-specific lighting. Available in custom sizes and lengths, with many options including curves, corners, finishes, integrated accessories and more.

### BESPOKE

Bespoke luminaires demonstrating completely custom project solutions, designed with the clients from concept to delivery. Learn about the design process and inspire your next bespoke lighting project.



atelier sedap **CASAMBI**

### 60 YEARS IN LIGHT

CALL: +44 (0) 1235 55 37 69  
EMAIL: sales@optelma.co.uk  
ISSUE DATE: 18/01/21

#### HEAD OFFICE

The Science Park  
Abingdon  
Oxfordshire OX14 3YT  
United Kingdom

#### SHOWROOM

23 Bowling Green Lane  
Clerkenwell  
London EC1R 0BD  
United Kingdom

#### FRANCE

28 Rue Charles  
Baudelaire  
75012 Paris  
France

#### SWITZERLAND

St. Urbangasse 53  
Postfach 1738  
CH-4502 Solothurn  
Switzerland