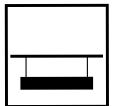




LINGFIELD

PENDANT



KEY FEATURES

- Suspended central or parallel mounting
- 3 different sizes 1000mm, 1500mm or 2000mm diameters
- Ambient lighting with a choice of 2700K, 3000K or 4000K colour temperatures
- A range of dimming/control options including Fixed Output, 1-10V, DALI or Touch-Dim
- CRI >80 as standard, with >90 on request
- Anodised Black or Silver finishes, with many others on request including separate finishes for the inner and outer rings



CASAMBI

**60 YEARS
IN LIGHT**

FOR MORE INFORMATION OR TO TALK ABOUT A PROJECT:

CALL: +44 (0) 1235 55 37 69
EMAIL: sales@optelma.co.uk

ISSUE DATE: 01/02/21

HEAD OFFICE
The Science Park
Abingdon
Oxfordshire
OX14 3YT

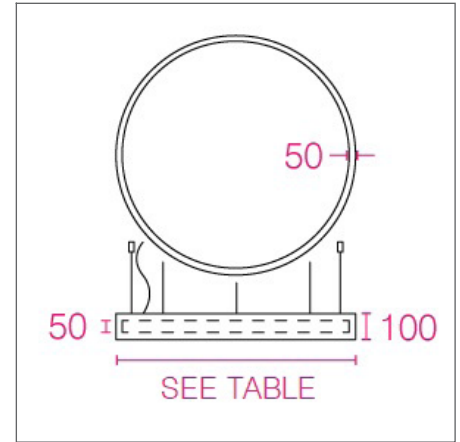
SHOWROOM
23 Bowling Green Lane
Clerkenwell
London
EC1R 0BD

PARIS OFFICE
28 Rue Charles
Baudelaire
75012 Paris
France

SWISS OFFICE
St. Urbangasse 53
Postfach 1738
CH-4502 Solothurn
Switzerland

LINGFIELD SPECIFICATIONS

PRODUCT OPTIONS	
Dimensions (mm):	50 (W) x 100 (H) x Various Diameters (below)
Cut-out (mm):	N/A
Lifetime:	50,000 hrs
Mounting type:	Suspended Parallel, Suspended Central
Finish:	Anodised Black, Anodised Silver
Emergency:	N/A
Operating voltage:	24V
IP Rating:	IP20
Light source:	Opteflex 14.4W LED 1320lm/M
Driver:	Fixed Output, 1-10V, DALI, Touch Dim.
Colour temperature:	2700K, 3000K, 4000K
Beam Angle:	N/A
Diffuser:	N/A
CRI:	> 80
Optional Extras:	



CROSS-SECTION DIMENSIONS (MM)

■ CHOOSE A SIZE TO MATCH YOUR PROJECT

Diameter (mm)	OPAL Lumens/Watt *	Weight (kg)
1000	7464 lm / 82 W	9.1 kg
1500	11611 lm / 127 W	14.8 kg
2000	15758 lm / 172 W	18.7 kg

* Luminaire luminous flux at 4000K.



CASAMBI

**60 YEARS
IN LIGHT**

FOR MORE INFORMATION OR TO TALK ABOUT A PROJECT:

CALL: +44 (0) 1235 55 37 69
EMAIL: sales@optelma.co.uk

ISSUE DATE: 01/02/21

HEAD OFFICE
The Science Park
Abingdon
Oxfordshire
OX14 3YT

SHOWROOM
23 Bowling Green Lane
Clerkenwell
London
EC1R 0BD

PARIS OFFICE
28 Rue Charles
Baudelaire
75012 Paris
France

SWISS OFFICE
St. Urbangasse 53
Postfach 1738
CH-4502 Solothurn
Switzerland

LINGFIELD COMPONENTS



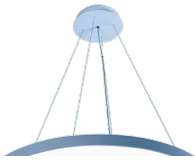
ANODISED BLACK
Anodised Black
finish.



ANODISED SILVER
Anodised Silver
finish.



CUSTOM FINISH
Black Anodised/
Polished Copper
example finish.



**CENTRAL
SUSPENSION**
Stainless steel cable,
Max height 4000mm.
Only available for
sizes 600 - 2000mm.



**PARALLEL
SUSPENSION**
Stainless steel cable,
Max height 4000mm.



CASAMBI

**60 YEARS
IN LIGHT**

**FOR MORE INFORMATION
OR TO TALK ABOUT A PROJECT:**

CALL: +44 (0) 1235 55 37 69
EMAIL: sales@optelma.co.uk

ISSUE DATE: 01/02/21

HEAD OFFICE
The Science Park
Abingdon
Oxfordshire
OX14 3YT

SHOWROOM
23 Bowling Green Lane
Clerkenwell
London
EC1R 0BD

PARIS OFFICE
28 Rue Charles
Baudelaire
75012 Paris
France

SWISS OFFICE
St. Urbangasse 53
Postfach 1738
CH-4502 Solothurn
Switzerland

LINGFIELD SPECIFICATION CODE

AAAA - BB/C/D/E - F/GGG - HHHH/I								
AAAA PRODUCT ID	BB MOUNTING	C FINISH	D DRIVER	E DIFFUSER	F DIRECT LED	GGG CRI / COLOUR	HHH DIAMETER / SIZE (mm)	I EMERGENCY
LG10	SC	B	F	N	M	827	1000	
LG15	SP	S	D			830	1500	
LG20		X*	1 T			840	2000	

- * **X** Custom Options - specify details alongside code
- PRODUCT ID **LG10** Lingfield 1000, **LG15** Lingfield 1500, **LG20** Lingfield 2000
- MOUNTING **SC** Suspended Central, **SP** Suspended Parallel
- FINISH **B** Anodised Black, **S** Anodised Silver
- DRIVER **F** Fixed Output, **D** DALI, **1** 1-10V, **T** Touch Dim
- DIFFUSER **N** None
- DIRECT LED **M** Opteflex 14.4W LED
- CRI / COLOUR **827** CRI 80+ Colour 2700K, **830** CRI 80+ Colour 3000K, **840** CRI 80+ Colour 4000K
- DIAMETER / SIZE Diameter/Size in millimetres
- EMERGENCY **E** Standard Integrated Emergency, **DE** DALI Integrated Emergency, - specify details alongside code

STANDARD

Standard fixed option products for quick and easy specification. Point source LED and Linear LED solutions, organised into Track & Spots, Downlights, Recessed, Surface, Suspended and Wall mounted solutions.

MADE-TO-MEASURE

Versatile systems and luminaires with custom specifications for project-specific lighting. Available in custom sizes and lengths, with many options including curves, corners, finishes, integrated accessories and more.

BESPOKE

Bespoke luminaires demonstrating completely custom project solutions, designed with the clients from concept to delivery. Learn about the design process and inspire your next bespoke lighting project.



FOR MORE INFORMATION OR TO TALK ABOUT A PROJECT:

CALL: +44 (0) 1235 55 37 69
EMAIL: sales@optelma.co.uk

ISSUE DATE: 01/02/21

HEAD OFFICE
The Science Park
Abingdon
Oxfordshire
OX14 3YT

SHOWROOM
23 Bowling Green Lane
Clerkenwell
London
EC1R 0BD

PARIS OFFICE
28 Rue Charles
Baudelaire
75012 Paris
France

SWISS OFFICE
St. Urbangasse 53
Postfach 1738
CH-4502 Solothurn
Switzerland